

CHECKER MOTORS CORP. KALAMAZOO, MICH.

EFFECTIVE OCT 1, 1970

DWN. DEKKER
CHK. R.C.P.

SHEET NO. 94 A-1

GRAPHIC ILLUSTRATION

CARBURETOR AIR HEAT STOVE 6 CYL. AUTO. TRANS.

DATE

7-26-69

B-11E

B-12E

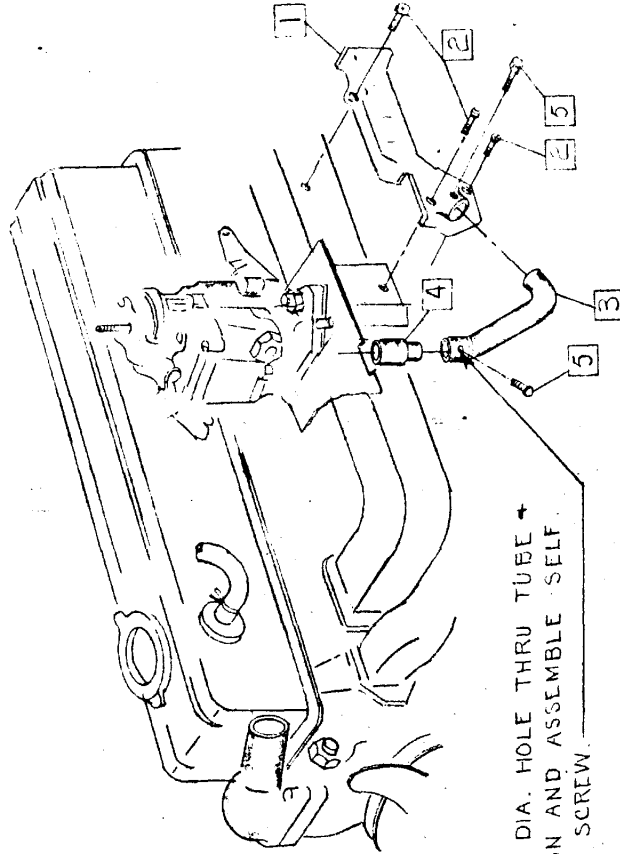
MODEL: B-11

B-12

B-12 W

1. 706244 COVER - CARB. AIR HEAT STOVE
2. 9427817 SCREW #8 x 3/8 RD HD. (3)
3. 704493 TUBE - CARB. AIR HEAT STOVE
4. 706072 EXTENSION - CARB. AIR HEAT STOVE
5. 163158 SCREW #8 x 3/8 (2)

DATE	CHANGES
7-2-71	706072 Was 704343
4-4-72	9427817 Removed, 163158 Was (1) Reeb
7-21-72	706244 Was 704155



DRILL 1/8 DIA. HOLE THRU TUBE +
EXTENSION AND ASSEMBLE SELF
TAPPING SCREW.

CHECKER MOTORS CORP. KALAMAZOO, MICH.

EFFECTIVE OCT. 1, 1970

MODEL: B-11
B-12
B-12W

B-11E
B-12E B-12WB

DATE
6-29-69

GRAPHIC ILLUSTRATION

CARBURETOR AIR HEAT STOVE 8-CYL.

DWN. DESKER
CHK. G.K.B.

SHEET NO. 94 A-2

APPVD.

1. 706124 COVER - CARB. AIR HEAT STOVE
2. 704536 PLATE - CARB. AIR HEAT STOVE
3. 273802 NUT $\frac{5}{16}$ - 18 SERR. HEX.
4. 120393 WASHER $\frac{1}{32}$ I.D. x $\frac{1}{16}$ O.D.
5. 703418 TUBE ASSEM.
6. 163158 SCREW #8 x $\frac{3}{8}$ PAN. (6)

DATE	CHANGES
4-4-72	163158 Was 447143
9-2-72	706124 Was 704537 - 58

TO AIR CLEANER
SEE G.I.

