

EFFECTIVE OCT 1, 1970

CHECKER MOTORS CORP. KALAMAZOO, MICH.

SHEET NO. 90 A-1

DWN. DECKER  
CHK. *W. Johnson*

GRAPHIC ILLUSTRATION

APPRVD.

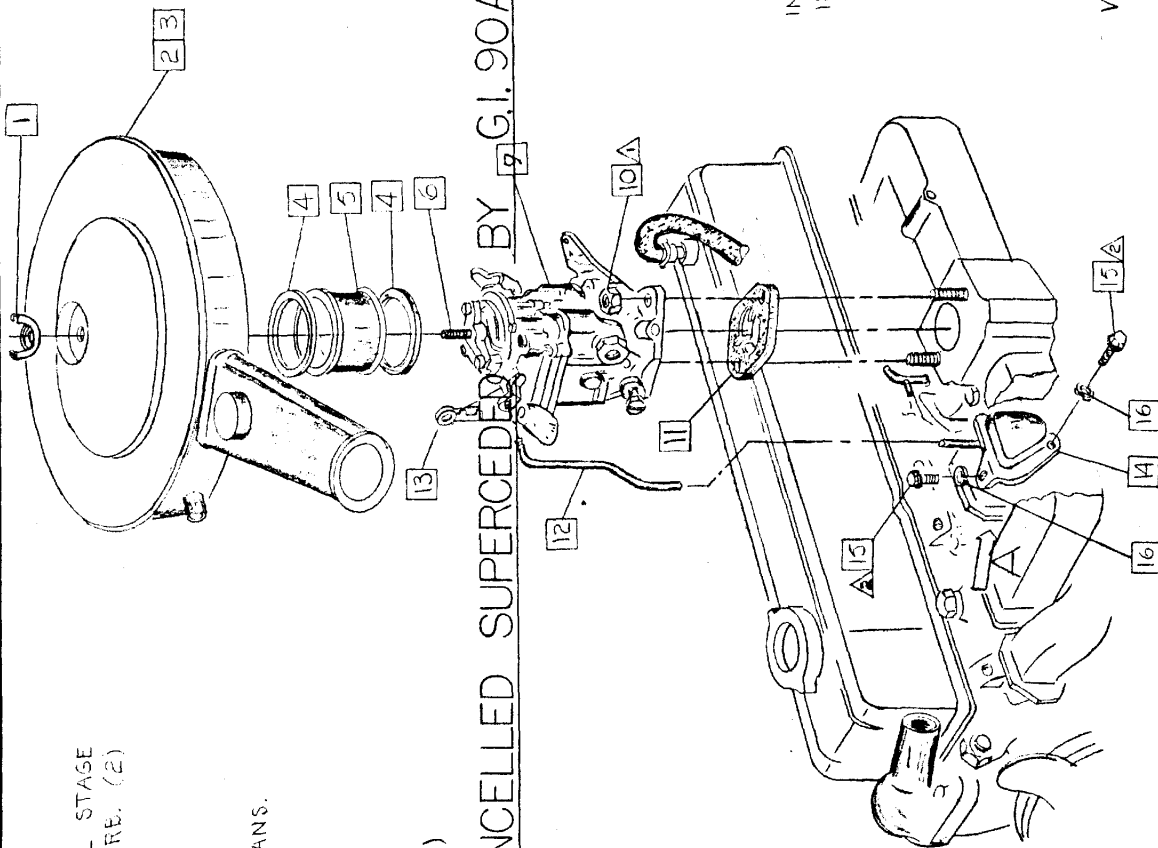
CARB., AIR CLEANERS & CHOKE - 6 CYL. AUTO TRANS.

- 1. 126177 WING NUT 1/4 - 20
- 2. 703256 CLEANER ASSEM. - 6 CYL.
- 3. 703439 CLEANER ASSEM. - 6 CYL. DUAL STAGE
- 4. 702284 GASKET - AIR CLEANER TO CARB. (2)
- 5. 704328 EXTENSION
- 6. 703169 STUD - NUT ASSEM.
- 7.
- 8.
- 9. 703751 CARB. ASSEM. - 6 CYL. AUTO TRANS.
- 10. 120369 NUT 3/8 - 24 HEX (2)
- 11. 704876 INSULATOR - CARB. HEAT
- 12. 704743 ROD - AUTO CHOKE
- 13. 702267 CLIP - CHOKE THERM. ROD.
- 14. 703176 THERMOSTAT - COVER ASSEM.
- 15. 9414204 SCREW 1/4 - 20 x 3/8 HEX. SERR. (2)
- 16. 120550 L.W. 1/4 MED. SPRING. (2)

CHANGES

6-22-71	NOTE ADDED - TORQUE
7-19-71	10-14 LBS. WAS 14-18 LBS 120369 WAS 124925

CANCELLED SUPERCEDED BY G.I. 90A-3, A-4



NOTE: INITIAL TORQUE 2 - 4 FT. LBS. ON EACH NUT ONE AT A TIME, THEN RETIGHTEN EACH IN SAME SEQUENCE TO 10 - 14 FT. LBS.

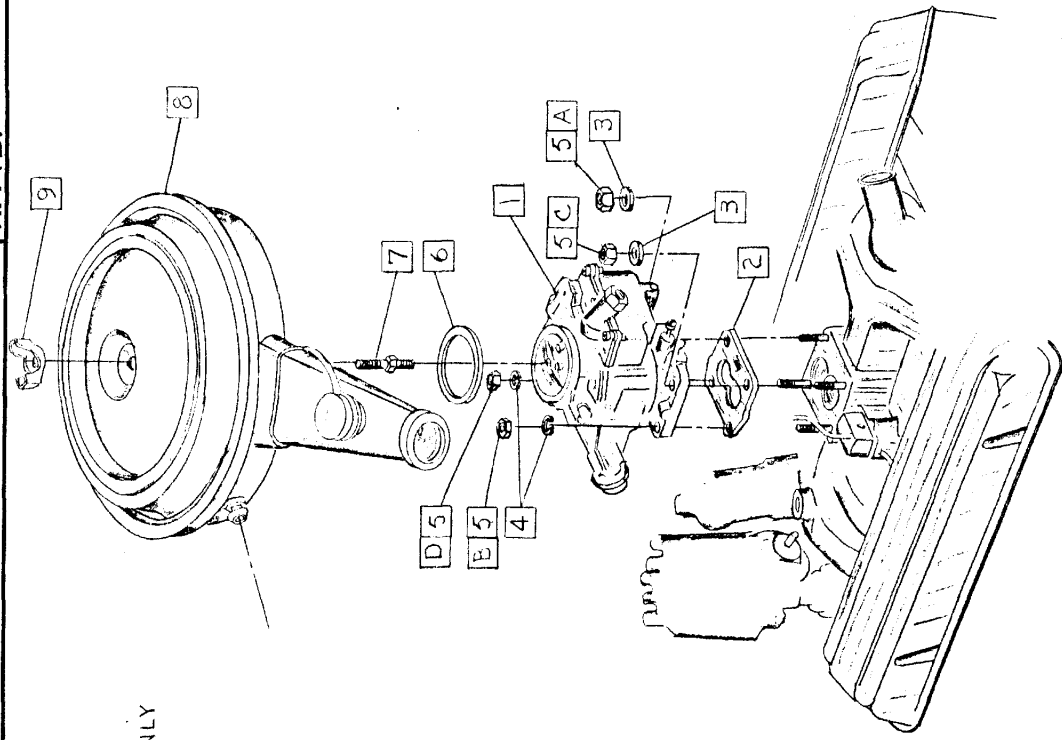
- ▲ 10-14 LBS. FT. TORQUE
- ▲ 2-3 LBS. FT. TORQUE

CHECKER MOTORS CORP. KALAMAZOO, MICH.

EFFECTIVE OCT. 1, 1970

<b>MODEL:</b>	B-11E	<b>DATE</b>	6-7-70
B-11	B-12E	<b>GRAPHIC ILLUSTRATION</b>	
B-12	B-12W	CARBURETOR - AIR CLEANERS - 6 CYL. 2 EBL. CARB.	
		<b>DWN. DESKER</b>	<b>SHEET NO.</b> 90 A-2
		CHK. <i>R.B.B.</i> 21-70	
		<b>APPVD.</b>	

6-21-71	Tomkuf Notts Apord	CHANGE'S
---------	--------------------	----------



1. 703762 CARBURETOR ASM. - V-8
2. 704891 GASKET
3. 702357 WASHER - CARB. STUD SEALING (2) FRT. STUDS. ONLY
4. 120214 L.W. 3/16 MED. SPRING (2) REAR STUDS ONLY
5. 120366 NUT 3/16-24 HEX. (4)
6. 704548 GASKET - CARB. TO AIR CLEANER
7. 701236 STUD ASSEM. - AIR CLEANER
8. 703425 CLEANER - TRIM ASSEM.
9. 126177 NUT 1/4-20 WING

NOTE: TORQUE NUT **A** + NUT **B** TO NO. **1** TORQUE. NUT **C** + NUT **D** TO NO. **2** TORQUE. RETORQUE **A** + **B**, **C** + **D** IN THE SAME SEQUENCE TO NO. **1**

- 1** 10 - 14 LBS. FT. TORQUE
- 2** 4 - 4 LBS. FT. TORQUE

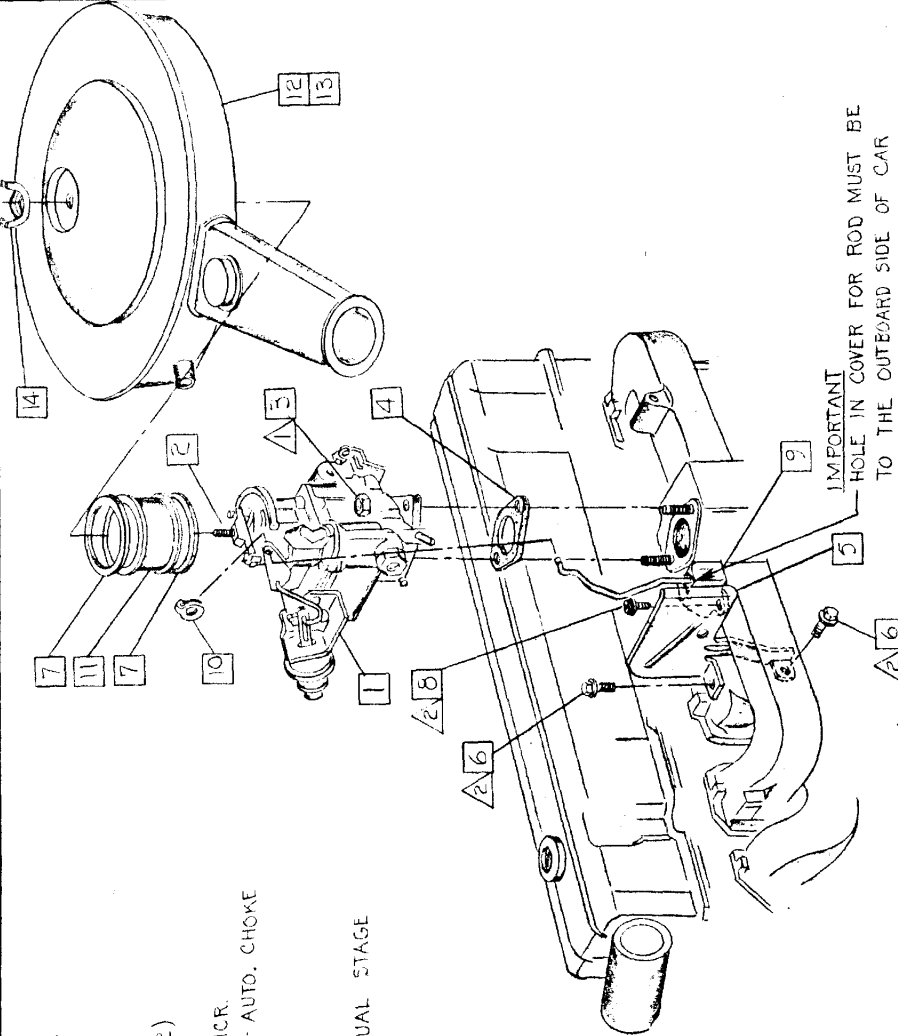
CANCELLED SUPERCEDED BY G.I. 90A-5

CHECKER MOTORS CORP. KALAMAZOO, MICH.

EFFECTIVE OCT 1, 1971

MODEL: B-11 B-11C	DATE: 7-14-71	DWN. DESK. CHK. APPVD.	SHEET NO. 90 A-3
GRAPHIC ILLUSTRATION		CARBURETOR, AIR CLEANER • CHOKE • 6 CYL. W/O AIR.	

DATE	CHANGES
9-23-71	3431655 W/M 702267
11-22-71	COVER NOTE ADDED



1. 703918 CARBURETOR ASM. - 6 CYL.
2. 703932 STUD + NUT ASM. - AIR CLEANER
3. 120269 NUT 3/8 - 24 HEX. (L)
4. 706097 INSULATOR - CARE. HEAT
5. 706098 SHIELD - AUTO. CHOKE AIR.
6. 9414204 SCREW 1/4-20 x 3/8 HEX. SEFR. (L)
7. 702264 GASKET - AIR CLEANER
8. 273513 SCREW + L.W. ASM. - 10-24 x 1/2 PHCR.
9. 703952 THERMOSTAT, COVER + ROD ASM. - AUTO. CHOKE
10. 3431655 CLIP - THERMO. CHOKE ROD.
11. 706084 EXTENSION
12. 703979 CLEANER ASM. - AIR 6 CYL.
13. 703991 CLEANER ASM. - AIR 6 CYL. DUAL STAGE
14. 126177 WING NUT 1/4-20

- ① 10 - 14 LBS. FT. TORQUE
- ② 3 - 4 LBS. FT. TORQUE

CANCELED SUPERSEDED BY G1.90A-8

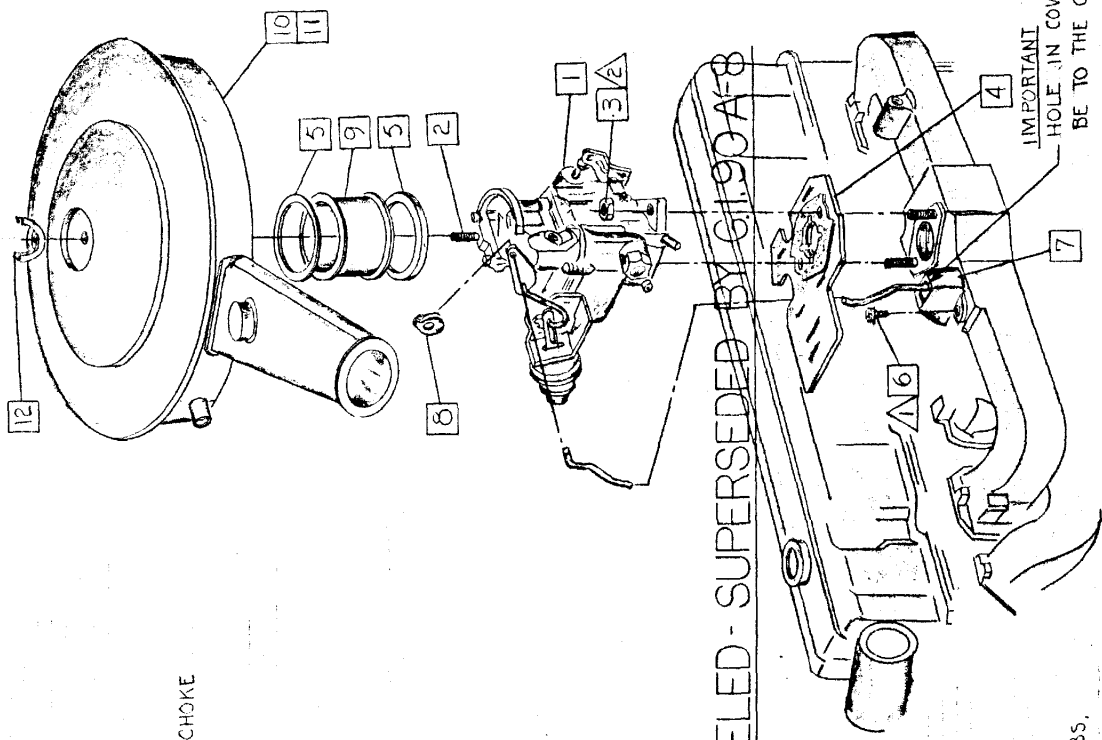
NOTE: INITIAL TORQUE 2-4 FT. LBS. ON EACH NUT  
ONE AT A TIME, THEN RETIGHTEN EACH IN  
SAME SEQUENCE TO 10-14 FT. LBS.

EFFECTIVE OCT. 1, 1971

CHECKER MOTORS CORP. KALAMAZOO, MICH.

MODEL:	B-12	DATE	7-14-71
	B-12E		
	B-11E		
DWN. DECKER		APFVD.	
CHK.		GRAPHIC ILLUSTRATION	
SHEET NO. 90A-4		CARBURETOR, AIR CLEANER + CHOKE - 6 CYL. WITH A.I.R.	

DATE	CHANGES
9-23-71	9431655 Was 702267
11-22-71	COVER NOTE ADDED



1. 703982 CARBURETOR ASM. - 6 CYL.
2. 703932 STUD + NUT ASM. - AIR CLEANER
3. 120369 NUT 3/8-24 HEX. (2)
4. 703967 INSULATOR ASM. - CARB. HEAT
5. 702264 GASKET - AIR CLEANER (2)
6. 273513 SCREW + LW. ASM. \*10-24 \* 1/2 PHCR.
7. 703952 THERMOSTAT, COVER + ROD ASM. - AUTO. CHOKE
8. 9431655 CLIP - THERMO. CHOKE ROD
9. 706084 EXTENSION
10. 703979 CLEANER ASM. - AIR
11. 703991 CLEANER ASM. - AIR - DUAL STAGE
12. 126177 WING NUT 1/4-20

~~CANCELED - SUPERSEDED BY 0190A-8~~

- △ 3 - 4 LBS. FT. TORQUE
- △ 10 - 14 LBS. FT. TORQUE

NOTE: INITIAL TORQUE 2-4 FT. LBS. ON EACH NUT ONE AT A TIME, THEN RETIGHTEN EACH IN SAME SEQUENCE TO 10-14 FT. LBS.

IMPORTANT HOLE IN COVER FOR ROD MUST BE TO THE OUTBOARD SIDE OF CAR

CHECKER MOTORS CORP. KALAMAZOO, MICH.

EFFECTIVE OCT. 1, 1971

DWN. DENKER  
CHK. SHEET NO. 90 A-5

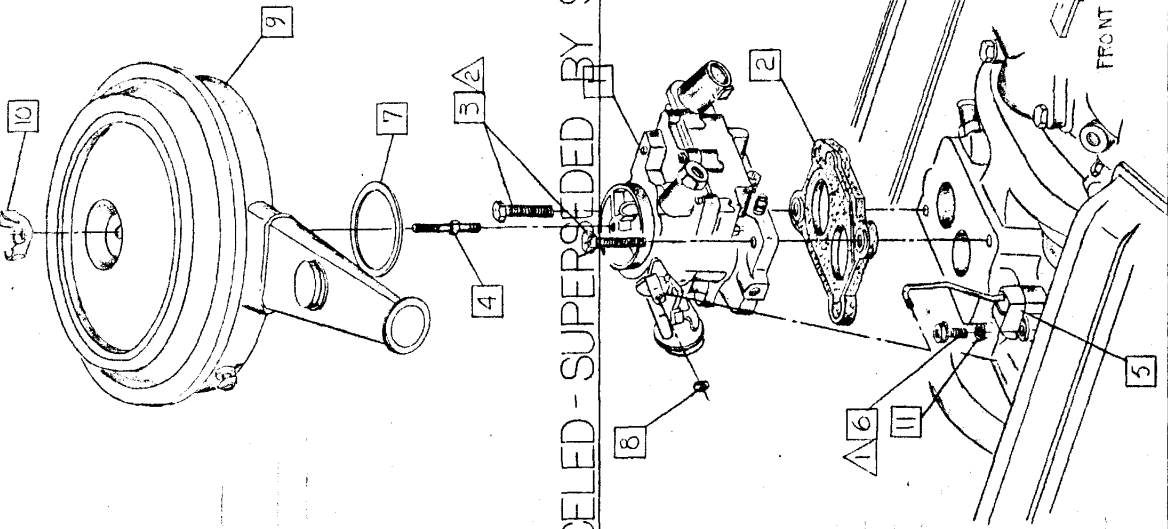
GRAPHIC ILLUSTRATION

CARBURETOR, AIR CLEANER + CHOKE 8 CYL.

DATE  
7-15-71

MODEL:  
B-11  
B-11E  
B-12  
B-12E  
B-12W

1. 703919 CARBURETOR ASM. - 8 CYL.
2. 706117 INSULATOR - CARE. HEAT
3. 180081 BOLT  $\frac{7}{16}$  - 19 x  $1\frac{1}{4}$  HEX. (2)
4. 701236 STUD ASM. - AIR CLEANER
5. 703960 THERMOSTAT COVER + ROD ASM. - 8 CYL.
6. 120221 SCREW \* 10 - 24 x  $\frac{1}{2}$  R.H.
7. 704548 GASKET - CARE. TO AIR CLEANER
8. 9431635 RETAINING RING
9. 703950 CLEANER ASM. - AIR
10. 126177 WING NUT  $\frac{1}{4}$  - 20
11. 120217 LW. \* 10 MED. SPRING



CANCELED - SUPERSEDED BY 90 A-9

- ▲ 2 - 3 LBS. FT. TORQUE
- ▲ 10 - 14 LBS. FT. TORQUE

NOTE: TORQUE BOLTS [3] SIMULTANEOUSLY

DATE	CHANGES

APPRVD.

FRONT OF CAR

CHECKER MOTORS CORP. KALAMAZOO, MICH.

EFFECTIVE OCT 1, 1970

SHEET NO. 90 A-6

DWN. DEKKER  
CHK. RCP 8-21-70

GRAPHIC ILLUSTRATION

CARBURETORS + AIR CLEANERS - AEROBUS

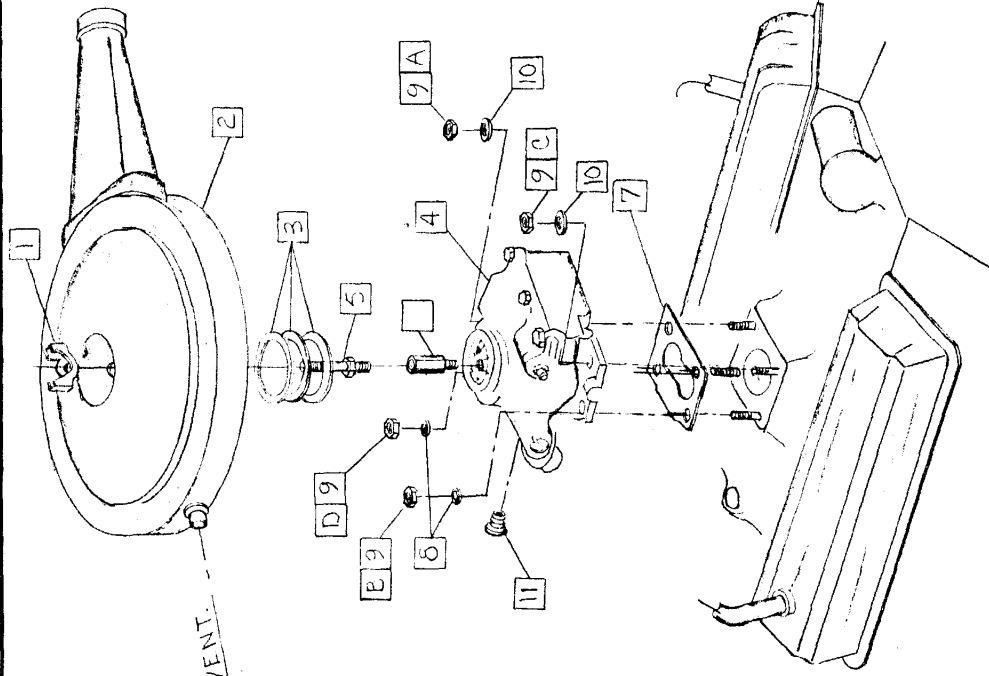
DATE  
8-10-70

MODEL:  
B-12W8

APPVD.

- 1. 126177 NUT • 1/4-20 WING
- 2. 703423 CLEANER + TRIM ASSEM. - CARB. AIR
- 3. 704545 GASKET - AIR CLEANER (2)
- 4. 703794 CARBURETOR ASSEM. 550 AEROBUS
- 5. 703210 STUD ASSEM.
- 6. 704547 ADAPTER
- 7. 704892 GASKET - CARB.
- 8. 120214 L.W. 5/16 MED. SPRING (2) (REAR STUDS ONLY)
- 9. 120368 NUT 5/16-24 HEX. (4)
- 10. 702557 WASHER - CARB. STUD SEALING (2) FRT. STUDS ONLY
- 11. 636187 PLUG

FOR C/C VENT.  
SEE GA.



NOTE: TORQUE NUT [A] + NUT [B] TO NO. [2] TORQUE. NUT [C] [D] TO NO. [2] TORQUE. RETORQUE [A] + [B], [C] + [D] IN SAME SEQUENCE TO NO. [1].

△ 1 10 - 14 LBS. FT. TORQUE  
△ 2 2 - 4 LBS. FT. TORQUE

CANCELLED SUPERCEDED BY G.I. 90A-7

TORQUE NOTES ADDED  
2-21-70 636187 PLUG ADDED

CHANGES

CHECKER MOTORS CORP. KALAMAZOO, MICH.

EFFECTIVE OCT 1, 1971

SHEET NO. 90 A-7

DWN. DECKL.  
CHK.

GRAPHIC ILLUSTRATION

CARBURETOR & AIR CLEANER - 8 CYL. 4 BBL. CARB.

DATE

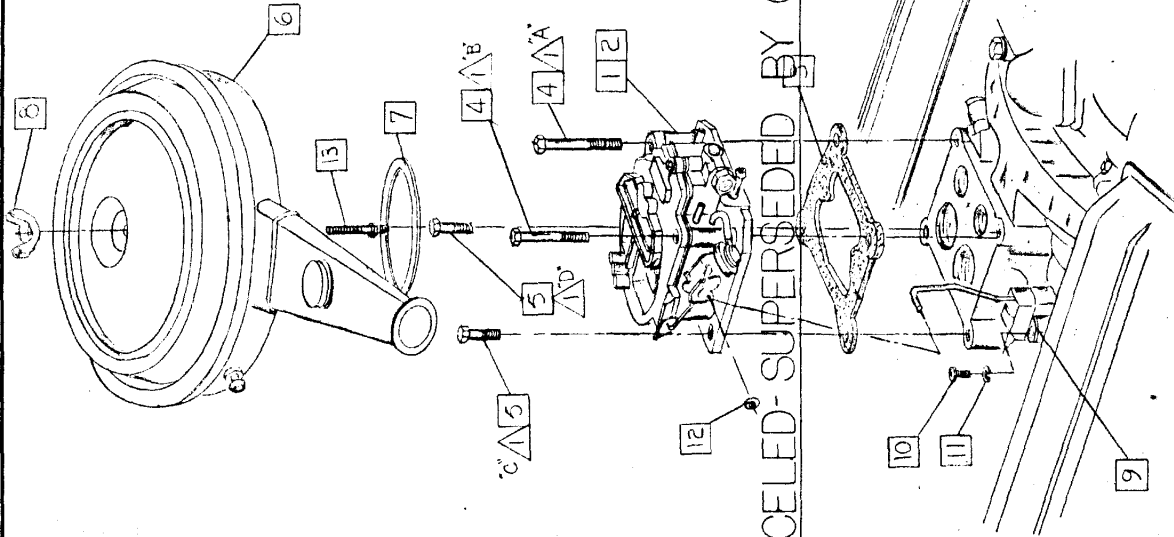
9-9-71

MODEL:

B-12W8

APPVD.

1. 703920 CARBURETOR ASM. - 4 BBL.
2. 703983 CARBURETOR ASM. - 4 BBL. W/AIR.
3. 706118 GASKET - CARB. MTS. ALRO.
4. 189297 BOLT  $\frac{5}{16}$  - 18 x  $5\frac{1}{4}$  HEX. (2)
5. 180081 BOLT  $\frac{7}{16}$  - J6 x  $1\frac{1}{4}$  HEX. (2)
6. 705048 CLEANER ASM. - CARB. AIR
7. 704022 GASKET - AIR CLEANER
8. 126177 NUT  $\frac{1}{4}$ -20 WING.
9. 703962 THERMOSTAT, COVER + ROD ACM. CHOKE
10. 120221 SCREW #10-24 x  $\frac{1}{2}$  RH.
11. 120217 LW. #10 MED. SPRING
12. 9431655 RETAINING RING
13. 705037 STUD ASM. -  $\frac{1}{4}$ -20



CANCELED-SUPERSEDED BY G1.90A-10

$\Delta$  14 - 22 LBS. FT. TORQUE.

NOTE: SIMULTANEOUSLY DRIVE BOLT 'A' + BOLT 'C' TO TORQUE  $\Delta$ . THEN SIMULTANEOUSLY DRIVE BOLT 'B' + BOLT 'D' TO TORQUE  $\Delta$ .

DATE	CHANGES
10-18-71	704055 IWas (C) 704757
11-2-71	705048 IWas 705059

CHECKER MOTORS CORP. KALAMAZOO, MICH.

EFFECTIVE OCT 15, 1972

MODEL: B-12  
B-11E  
B-11E B-12W

DATE  
7-24-72

GRAPHIC ILLUSTRATION

CARB., AIR CLEANER + CHOKE - 6-CYL.

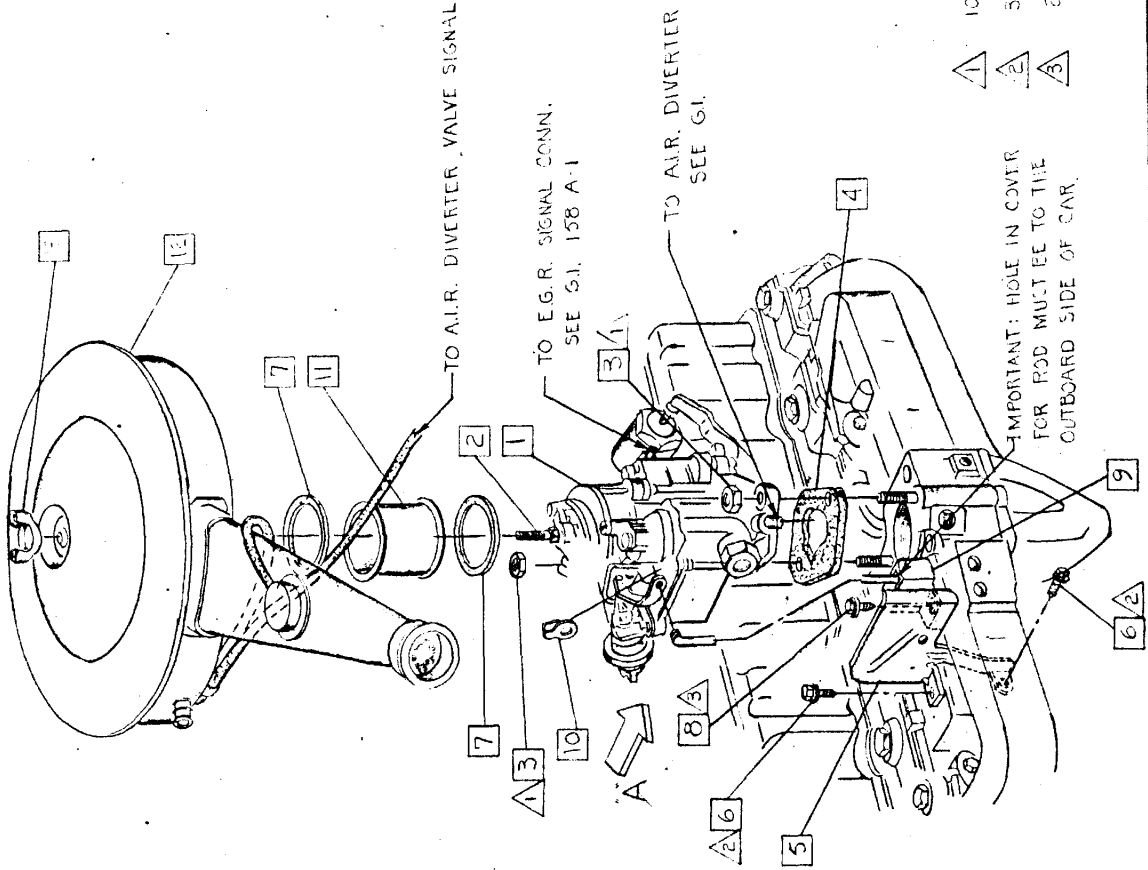
DWN. LOGS  
CHK. 1-87-25-72

SHEET NO. 90 A-8

APPLYD. SUPERSEDS 90 A 3-4 PER MEMO 115

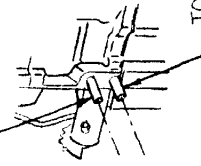
DATE	CHANGES
1-1-72	706335 WAS 706334

1. CARBURETOR ASM. - 6 CYL.
2. STUD + NUT ASM.
3. NUT 5/8" - 24 HEX (2)
4. INSULATOR - CARB HEAT
5. SHIELD - AUTO CHOKE AIR - 6 CYL.
6. SCREW 1/4" - 20 x 3/8 HEX. SERR. (2)
7. GASKET - AIR CLEANER (2)
8. SCREW + LW ASM. - 10-24 x 1/2 PHCR
9. THERMOSTAT, COVER + ROD ASM. - AUTO CHOKE
10. CLIP - THERMO. CHOKE ROD
11. EXTENSION - CARB. TO A/C
12. CLEANER ASM. - AIR
13. WING NUT 1/4" - 20 HEX.



NOTE: INITIAL TORQUE 2-4 FT. LBS. ON EACH NUT ONE AT A TIME, THEN RETIGHTEN EACH IN SAME SEQUENCE TO 10-14 FT. LBS.

TO E.C.C. CANISTER CONN.  
SEE G.I.



TO DISTRIBUTOR  
SEE G.I.

VIEW IN DIRECTION OF ARROW 'A'

- 1. 10-14 FT. LBS. TORQUE
- 2. 5-4 FT. LBS. TORQUE
- 3. 2-3 FT. LBS. TORQUE



CHECKER MOTORS CORP. KALAMAZOO, MICH.

EFFECTIVE OCT 11 1972

DWN. DESK. SHEET NO. 90A-9  
 CHK. 8-14-72  
 APPVD. SUPSEDS 51 90A-5. PEP MEMO #315

GRAPHIC ILLUSTRATION  
 CARBURETOR, AIR CLEANER & CHOKE - 2 BBL 8 CYL

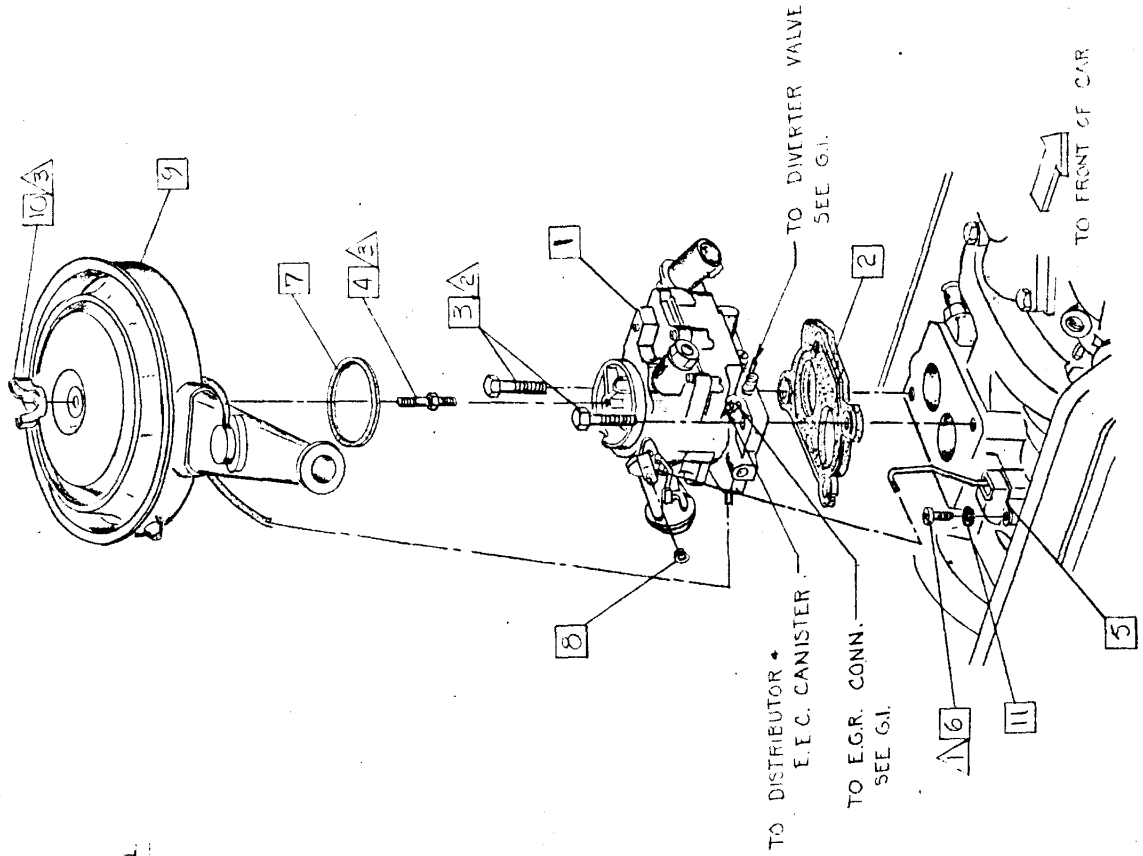
MODEL: B-12 DATE 7-26-72  
 B-11  
 B-12W.

DATE	CHANGES

- 1. 705127 CARBURETOR ASM. - 8 CYL.
- 2. 706117 INSULATOR - CARB. HEAT
- 3. 150081 BOLT  $\frac{1}{16}$  - 18 x  $\frac{1}{4}$  HEX (2)
- 4. 701236 STUD ASM. - AIR CLEANER
- 5. 705148 THERMOSTAT, COVER & ROD ASM. - 8 CYL.
- 6. 120221 SCREW #10-24 x  $\frac{1}{2}$  RH
- 7. 704545 GASKET - CARB. TO AIR CLEANER
- 8. 9431655 RETAINING RING
- 9. 705136 CLEANER ASM. - AIR
- 10. 126177 WING NUT  $\frac{1}{4}$  - 20
- 11. 120217 L.W. #10 MED. SPRING

- ① 2 - 3 LBS. FT. TORQUE
- ② 10 - 14 LBS. FT. TORQUE
- ③ 15 - 20 LBS. IN. TORQUE

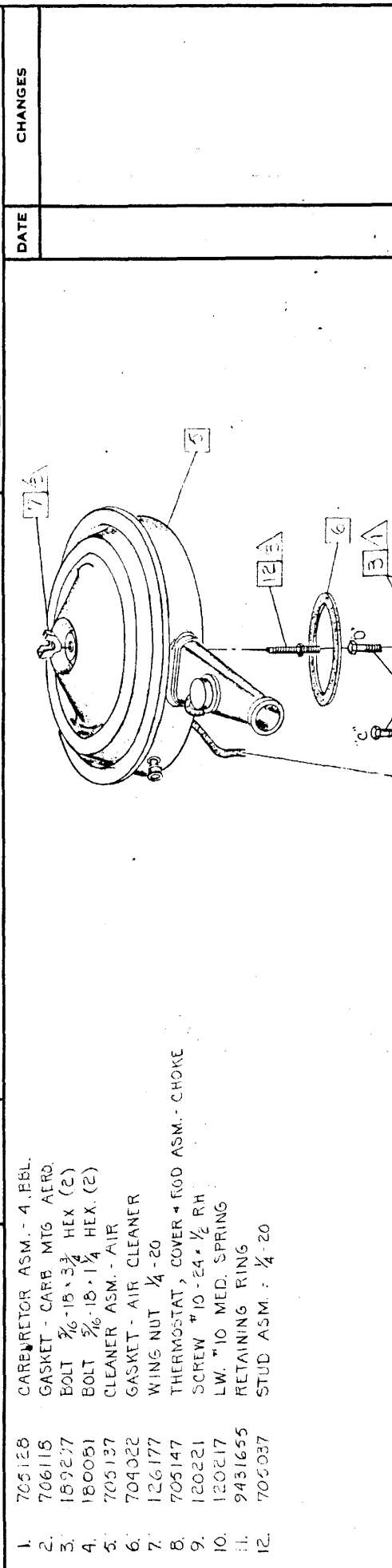
NOTE: TORQUE BOLTS ③ SIMULTANEOUSLY



CHECKER MOTORS CORP. KALAMAZOO, MICH.

EFFECTIVE OCT 1, 1972

MODEL:	B-12 W8	DATE	7-26-72
DWN. DESK:	CHK. DESK: 5/14-72	SHEET NO.	20 A-10
CAREUATOR, CHOKE + AIR CLEANER - 4 EBL - 8 CYL		APPVD.	SUPPERSEDES G1 20A-7 PER MEMO 255



- 1. 705128 CAREUATOR ASM. - 4 EBL.
- 2. 706118 GASKET - CARB MTG AERO.
- 3. 189227 BOLT  $\frac{5}{16}$  - 18 x  $3\frac{1}{2}$  HEX (2)
- 4. 180051 BOLT  $\frac{5}{16}$  - 18 x  $1\frac{1}{4}$  HEX (2)
- 5. 705137 CLEANER ASM. - AIR
- 6. 704022 GASKET - AIR CLEANER
- 7. 126177 WING NUT  $\frac{1}{4}$  - 20
- 8. 705147 THERMOSTAT, COVER + ROD ASM. - CHOKE
- 9. 120221 SCREW #10 - 24 x  $\frac{1}{2}$  RH
- 10. 120217 LW #10 MED. SPRING
- 11. 9431655 RETAINING RING
- 12. 705037 STUD ASM. :  $\frac{1}{4}$  - 20

- 1 14 - 22 LBS. FT TORQUE
- 2 2 - 3 LBS. FT. TORQUE
- 3 15 - 20 IN. LBS. TORQUE

NOTE: SIMULTANEOUSLY DRIVE BOLT 'A' + BOLT 'C' TO TORQUE  $\Delta$ . THEN SIMULTANEOUSLY DRIVE BOLT 'B' + BOLT 'D' TO TORQUE  $\Delta$

DATE	CHANGES