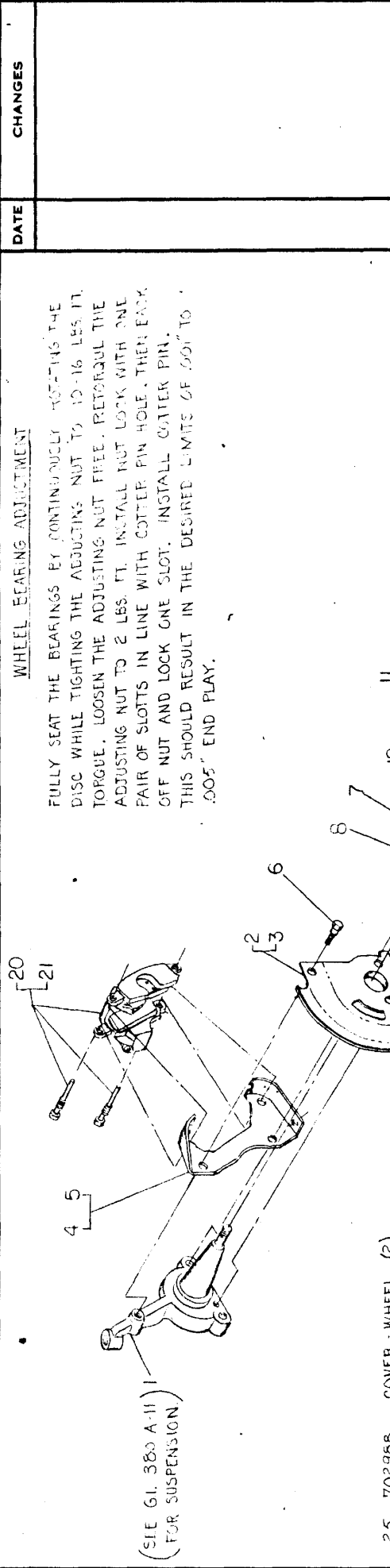


CHECKER MOTORS CORP. KALAMAZOO, MICH.

| | | | |
|-------------|---------|--|-----------|
| MODEL: | DATE | GRAPHIC ILLUSTRATION | SHEET NO. |
| B-12 | 2-19-73 | BRK ASM. - FRONT DISC | 78 A-1 |
| B-11 | | | |
| B-12E | | | |
| B-12W | | | |
| DWN. DUNKER | CHK. | APPRVD. SUPERSEDES GI 383A1 PER MEMO 329 | DATE |
| CHANGES | | | |



WHEEL BEARING ADJUSTMENT

FULLY SEAT THE BEARINGS BY CONTINUOUSLY ROTATING THE DISC WHILE TIGHTING THE ADJUSTING NUT TO 10-16 LBS. FT. TORQUE. LOOSEN THE ADJUSTING NUT FREE. RETORQUE THE ADJUSTING NUT TO 2 LBS. FT. INSTALL NUT LOCK WITH ONE PAIR OF SLOTS IN LINE WITH COTTER PIN HOLE. THEN BACK OFF NUT AND LOCK ONE SLOT. INSTALL OUTER PIN. THIS SHOULD RESULT IN THE DESIRED LIMITS OF .001" TO .005" END PLAY.

WHEEL BEARINGS LUBRICATION RECOMMENDATIONS

PACK INNER & OUTER BEARINGS, FILL ROTOR CAVITY, AND HUB GREASE CAP WITH MI-132

- 25. 702969 COVER - WHEEL (2)
- 24. 702469 CAP - HUB (2)
- 23. 704925 NUT - WHEEL MTG. (10)
- 22. 705001 WHEEL ASM. - 15" - 5 HOLE 5" BC
- 21. 703858 CALIPER ASM. - FRT. DISC BRAKE RH.
- 20. 703857 CALIPER ASM. - FRT. DISC BRAKE LH.
- 19. 704896 CAP - HUB GREASE (2)
- 18. 137185 COTTER PIN 1/8 x 1 (2)
- 17. 98123 RETAINER - STRG KNUCKLE NUT (2)
- 16. 98120 NUT - FRT. WHEEL BRG. (2)
- 15. 70285 WASHER - STRG KNUCKLE SPINDLE (2)
- 14. 96175 CONE - FRT. WHEEL BRG. - OUTER (2)
- 13. 703752 SEAL ASM. - FRT. WHEEL HUB OIL (2)
- 12. 96174 CONE - FRT. WHEEL BRG. - INNER (2)
- 11. 703859 HUB & ROTOR ASM. - FRT. (2)
- 10. 704459 GASKET - GREASE RETAINER (2)
- 9. 448665 SCREW 1/4-28 x 1/2 HEX (2)
- 8. 131101 LW 1/2 HEAVY SPRINGS (4)
- 7. 181626 BOLT 1/2-20 x 1 HEX (4)
- 6. 626316 BOLT - BRAKE ANCHOR - DISC (2)
- 5. 703345 BRACKET ASM. - FRT. DISC BRAKE RH.
- 4. 703347 BRACKET ASM. - FRT. DISC BRAKE LH.
- 3. 703754 SHIELD ASM. - SPLASH - DISC BRAKE RH.
- 2. 703753 SHIELD ASM. - SPLASH - DISC BRAKE LH.
- 1. 704831 KNUCKLE - STEERING (2) REF.

▲ 85 - 110 LBS. FT. TORQUE

CHECKER MOTORS CORP. KALAMAZOO, MICH.

MODEL: E-1EWE

DATE: 3-15-75

GRAPHIC ILLUSTRATION

FRAME ASM. - FRONT - DRUM

DWN. DRAWN
CHK.

SHEET NO. 78 A-2

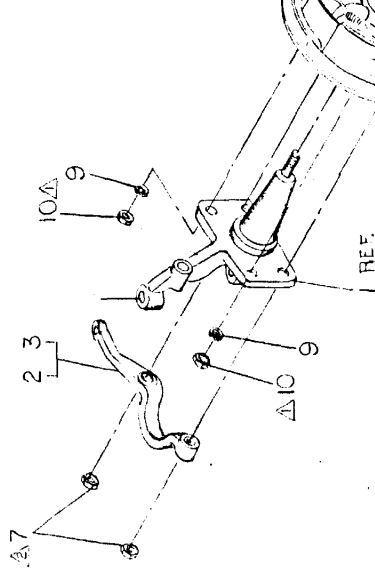
APPVD. SUPERSEDES G1 25046 PER MEMO #229

WHEEL BEARING ADJUSTMENT

FULLY SEAT THE BEARINGS BY CONTINUOUSLY ROTATING THE DRUM WHILE TIGHTENING THE ADJUSTING NUT TO 10-16 FT. LBS TORQUE. LOOSEN THE ADJUSTING NUT UNTIL FREE. RETORQUE NUT TO 2 FT. LBS. INSTALL NUT LOCK WITH ONE PAIR OF SLOTS IN LINE WITH COTTER PIN HOLE, THEN BACK OFF NUT AND LOCK ONE SLOT. INSTALL COTTER PIN. THIS SHOULD RESULT IN THE DESIRED LIMITS OF .001 - .005 IN. PLAY.

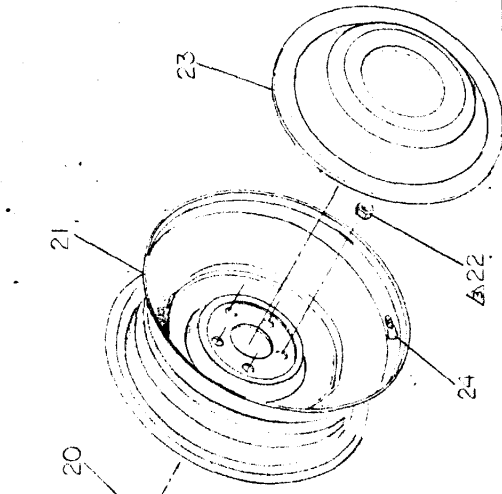
DATE

CHANGES



- 24. 95050 VALVE TIRE (2)
- 23. 702986 WHEEL COVER (2)
- 22. 96184 NUT - WHEEL NTS (10)
- 21. 701447 WHEEL ASM - 5 BOLT (2)
- 20. 96192 CAP - FRT. WHEEL HUB GREASE (2)
- 19. 96175 CONE - FRT. WHEEL BRG. - OUTER (2)
- 18. 96174 CONE - FRT. WHEEL BRG. - INNER (2)
- 17. 702275 SEAL - FRT. WHEEL GREASE (2)
- 16. 701450 HUB - DRUM ASM. - FRT. (2)
- 15. 37185 COTTER PIN 1/8" (2)
- 14. 70285 WASHER - STEERING KNUCKLE (2)
- 13. 96123 RETAINER - STEERING KNUCKLE NUT (2)
- 12. 95120 NUT - FRT. WHEEL BEARING (2)
- 11. 702594 RETAINER - FRT. WHEEL GREASE (2)
- 10. 120362 NUT 3/8"-24 HEX (4)
- 9. 120382 L.W. 3/8" MED. SPRING (4)
- 8. 151649 BOLT 3/8"-24 x 1/4 HEX (4)
- 7. 626852 NUT 1/2"-20 HEX CROWN LOCK (4)
- 6. 151707 BOLT 1/2"-20 x 2 1/4 HEX (4)
- 5. 702155 BRAKE ARM - FRT RH 11x3
- 4. 70187 BRAKE ARM - FRT LH 11x3
- 3. 702735 ARM - STEERING FH. REF. ONLY
- 2. 702725 ARM - STEERING LH. REF. ONLY
- 1. 702572 STEERING KNUCKLE (2) REF. ONLY

WHEEL BEARING LUBRICATION RECOMMENDATION:
PACK INNER & OUTER BEARINGS, FILL HUB CAVITY AND HUB GREASE CAP WITH M1-167



- 1 30 - 35 LBS. FT. TORQUE
- 2 65 - 85 LBS. FT. TORQUE
- 3 85 - 110 LBS. FT. TORQUE