

MODEL: B-12  
B-11E B-12W  
B-11E B-12W

DATE  
10-14-69

GRAPHIC ILLUSTRATION 1  
BATTERY INSTALLATION - FRONT MID. 8 CYL.

DWN. DEKKEK  
CHK. GMB

SHEET NO. 40

A-1

APPRVD.

1. 701892 SUPT. ASSEM. - BATTERY COMPLETE

- 2. 181668 BOLT  $\frac{7}{16}$  - 20 x  $\frac{1}{4}$  HEX. (4)
- 3. 120383 L.W.  $\frac{7}{16}$  MED. SPRING (4)
- 4. 120386 WASHER  $\frac{7}{16}$  ID. x 1 OD. (8)
- 5. 701909 HOLD-DOWN ASSEM. - BATTERY
- 6. 704059 ROD - BATT. HOLD DOWN - OUTER
- 7. 706349 ROD - BATT. HOLD DOWN
- 8. 446363 WASHER  $\frac{3}{8}$  ID. x  $\frac{3}{8}$  OD. (2)
- 9. 120368 NUT  $\frac{3}{16}$  - 24 HEX. (2)
- 10. 121222 COTTER PIN  $\frac{3}{32}$  x  $\frac{3}{4}$  (2)
- 11. 640597 SHIM - RAD SUPT.  $\frac{1}{2}$  THK
- 12. 120214 L.W.  $\frac{3}{16}$  MED. SPR. (2)

13. 94555 - 80 AMP. CLEAT - BATT. TRAY

94555 - 90 AMP.

701992 80 AMP. BATTERY

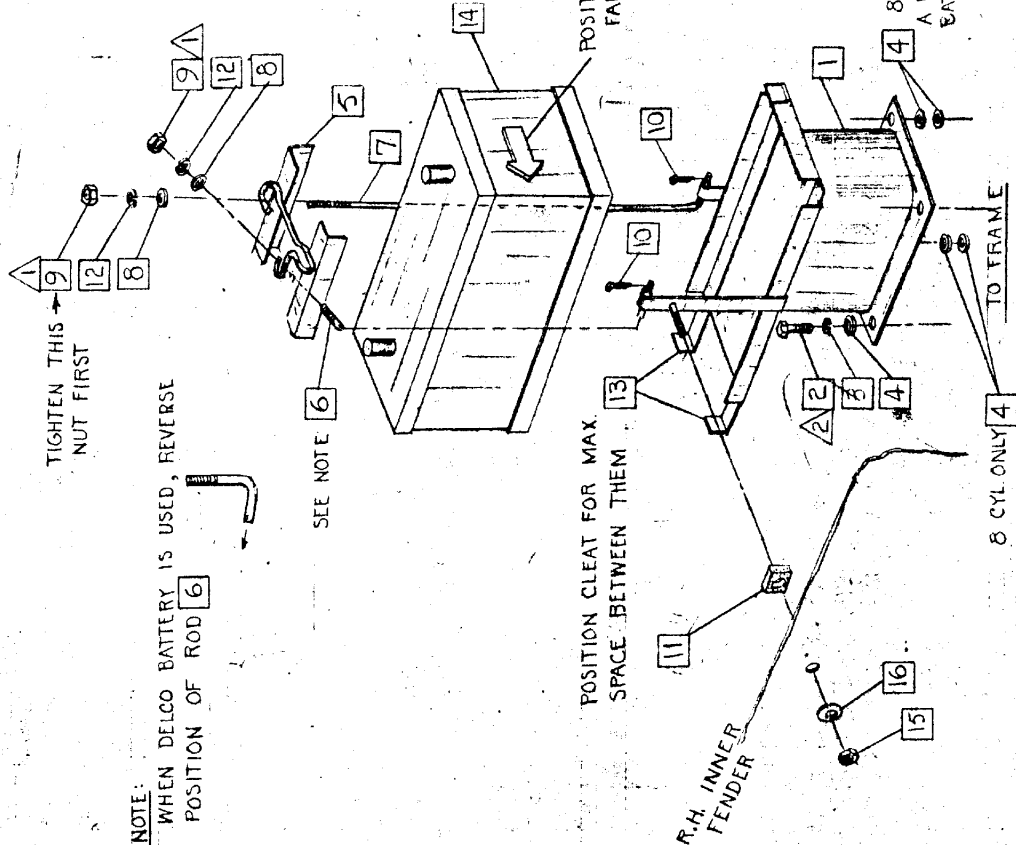
703072 SPECIAL - DIESEL

15. 120376 NUT  $\frac{3}{16}$  - 18 HEX

16. 626504 WASHER  $\frac{3}{8}$  ID. x  $1\frac{1}{2}$  OD. CROWN

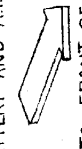
CHANGES

4-20-71	120214, 626504, 640597, 706083 ADDED.
~	120368 WAS 626625
~	TORQUE 1 + 2 ADDED
2-10-72	DEEP BATT. NUT ADDED
5-11-72	706083 REMOVED
6-19-72	201520, 702679 CANCELLED
7-19-72	97478, 94670 REMOVED
~	705086, 706258 ADDED
~	120386 WAS (4) 8 CYL.
~	181668 WAS 181666
11-10-72	RELEASED FOR 8 CYL. ONLY
1-3-73	706258 + 705086 REMOVED
3-5-73	706519 WAS 94489



- ▲ 5 - 8 FT. LBS. TORQUE
- △ 40 - 45 FT. LBS. TORQUE

8 CYL ONLY - AS REQ'D TO PROVIDE A MIN. CLEARANCE OF  $\frac{1}{4}$ " BETWEEN BATTERY AND A.I.R. EXHAUST.



TO FRONT OF CAR

CHECKER MOTORS CORP. KALAMAZOO, MICH.

EFFECTIVE OCT. 1, 1970

SHEET NO. 40 A-2

DWN. DEKKER  
CHK. SKZ

GRAPHIC ILLUSTRATION  
BATTERY INSTALLATION - REAR MTD.

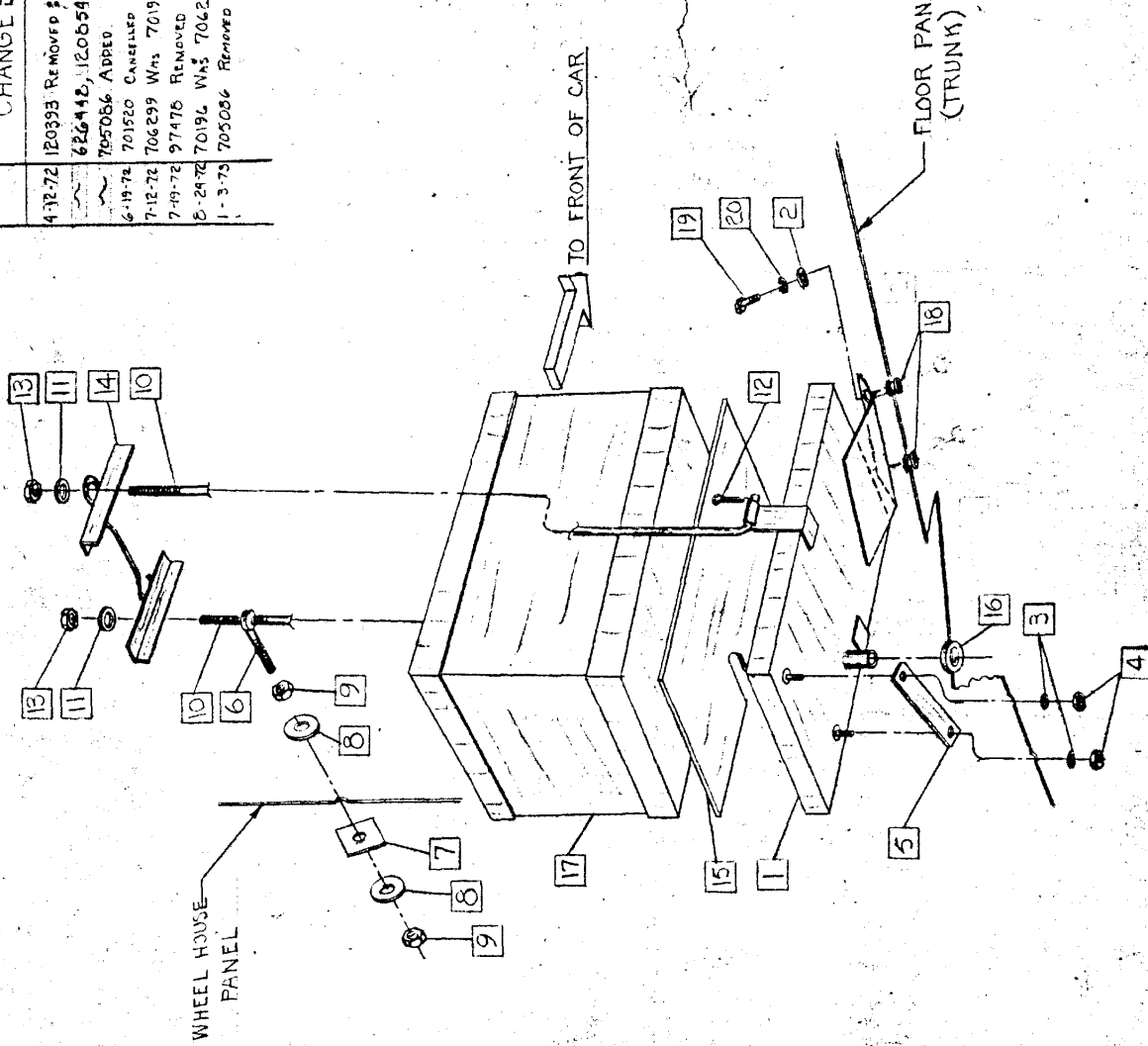
DATE  
10-15-69

MODEL: B-12  
B-12E  
B-11E

APPRVD.

- |     |                       |   |
|-----|-----------------------|---|
| 1.  | 95283                 | TRAY ASSEM. - BATTERY                               |
| 2.  | 120392                | WASHER $\frac{3}{32}$ ID. x $\frac{5}{8}$ O.D. (2)  |
| 3.  | 120214                | L.W. $\frac{3}{16}$ MED. SPRING (2)                 |
| 4.  | 120376                | NUT $\frac{3}{16}$ -18-HEX (2)                      |
| 5.  | 94716                 | STRIP - BATT. TRAY                                  |
| 6.  | 70196                 | BOLT.   |
| 7.  | 640597                | SHIM.   |
| 8.  | 446477                | WASHER $\frac{1}{16}$ ID. x $1\frac{3}{8}$ O.D. (2) |
| 9.  | 124824                | NUT $\frac{5}{16}$ -18 HEX JAM. (2)                 |
| 10. | 94489                 | ROD - BATT. HOLD DOWN (2)                           |
| 11. | 446363                | WASHER $\frac{3}{16}$ ID. x $\frac{7}{8}$ O.D. (2)  |
| 12. | 121222                | COTTER PIN $\frac{3}{32}$ x $\frac{3}{4}$ (2)       |
| 13. | 120368                | NUT $\frac{5}{16}$ -24 HEX. (2)                     |
| 14. | 95027                 | HOLD-DOWN ASSEM.                                    |
| 15. | 94722                 | FAD - BATTERY TRAY                                  |
| 16. | 702324                | GROMMET   |
| 17. | 701992<br>703072<br>7 | 80 AMP. DIESEL BATTERY                              |
| 18. | 626448                | JACK NUT $\frac{1}{4}$ -20 (2)                      |
| 19. | 120854                | BOLT $\frac{1}{4}$ -20 x $\frac{3}{8}$ HEX (2)      |
| 20. | 120350                | L.W. $\frac{1}{4}$ MED. SPRINGS (2)                 |

CHANGE'S	
4-17-72	120392 - REMOVED; 120392
6-26-41B	120854, 120350*
7-25-72	705086 ADDED
6-19-72	701920 CANCELLED
7-12-72	706299 WAS 70196
7-19-72	97475 REMOVED
8-24-72	70192 WAS 706299
1-3-73	705086 REMOVED



CHECKER MOTORS CORP. KALAMAZOO, MICH.

EFFECTIVE OCT. 1, 1970

MODEL:

B-11

B-11E

DATE

10-16-69

GRAPHIC ILLUSTRATION

BATTERY SHIELD - REAR

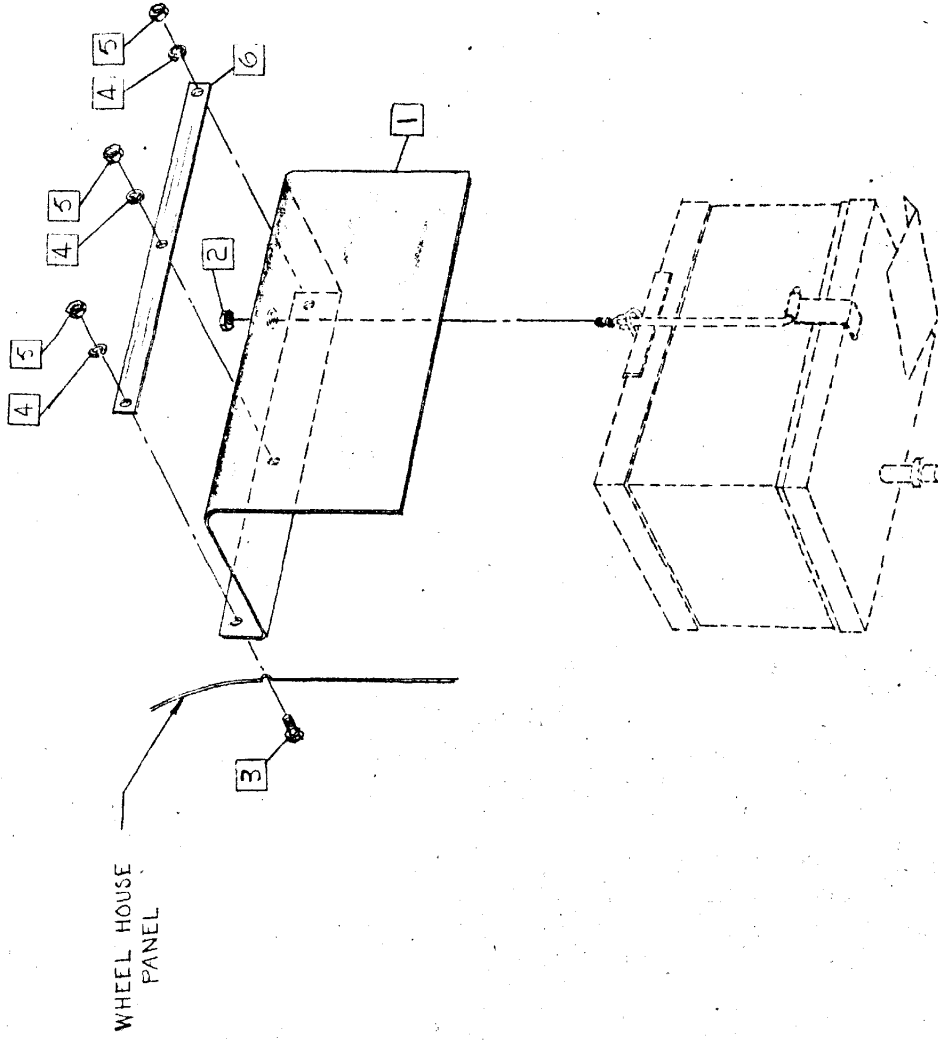
DWN. DEKKER

CHK. 546

SHEET NO. 40 A-3

APPVD.

- 1. 97368 COVER ASSEM. - REAR MTD. BATTERY
- 2. 131501 NUT  $\frac{5}{16}$ -24 LOW CROWN
- 3. 626543 SCREW + LW. ASSEM.  $\frac{1}{4}$ -20 x  $\frac{3}{8}$  HEX. (3)
- 4. 120380 L.W.  $\frac{1}{2}$  MED. SPRING (3)
- 5. 120375 NUT  $\frac{1}{4}$ -20 HEX. (3)
- 6. 98066 STRIP - REAR MTD. BATTERY



CHECKER MOTORS CORP. KALAMAZOO, MICH.

EFFECTIVE: OCT. 1, 1970

SHEET NO. 40 A-4

DWN. BELLEK  
CHK. GXB

APPVD.

GRAPHIC ILLUSTRATION

BATTERY - REAR MTD. - WIRING.

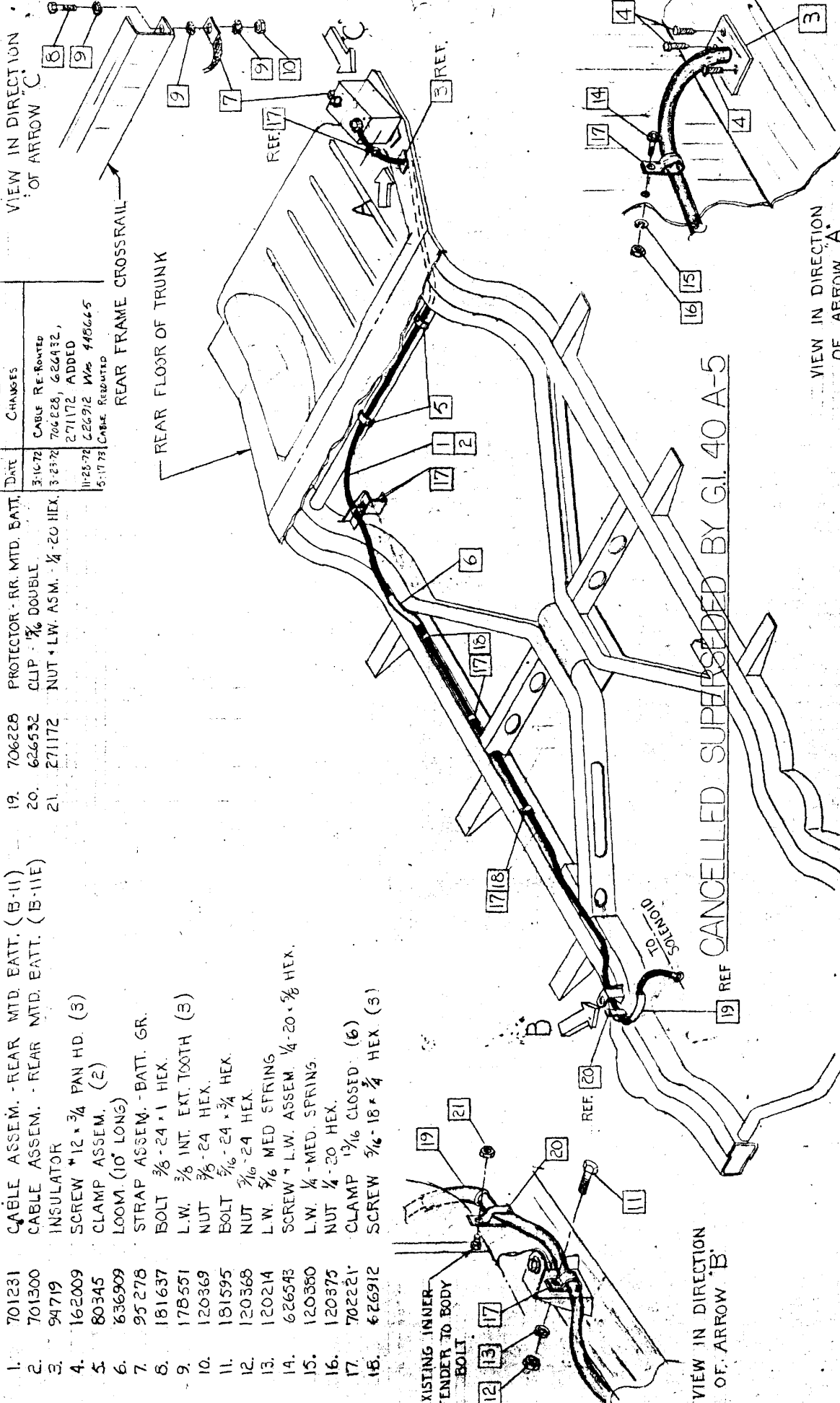
DATE

10-17-69

MODEL:

B-11  
B-11E

NO.	DESCRIPTION	DATE	CHANGES
1.	701231 CABLE ASSEM. - REAR MTD. BATT. (B-11)	3-16-72	CABLE RE-ROUTED
2.	701300 CABLE ASSEM. - REAR MTD. BATT. (B-11E)	3-23-72	706228, 626432, 271172 ADDED
3.	94719 INSULATOR	11-25-72	626912 W/ 416665
4.	162009 SCREW *12 * 3/4 PAN HD. (5)	5-17-73	CABLE REROUTED
5.	80345 CLAMP ASSEM. (2)		
6.	836909 LOOM (10' LONG)		
7.	95278 STRAP ASSEM. - BATT. GR.		
8.	181637 BOLT 3/8 - 24 * 1 HEX.		
9.	178551 L.W. 3/8 INT. EXT. TOOTH (3)		
10.	120369 NUT 3/8 - 24 HEX.		
11.	181595 BOLT 3/16 - 24 * 3/4 HEX.		
12.	120368 NUT 3/16 - 24 HEX.		
13.	120214 L.W. 3/16 MED SPRING		
14.	626543 SCREW * L.W. ASSEM. 1/4 - 20 * 3/8 HEX.		
15.	120380 L.W. 1/4 - MED. SPRING		
16.	120375 NUT 1/4 - 20 HEX.		
17.	702221 CLAMP 1 3/16 CLOSED (6)		
18.	626912 SCREW 3/16 - 18 * 1/4 HEX (3)		



CANCELLED SUPERSEDED BY G.I. 40 A-5

VIEW IN DIRECTION OF ARROW 'B'

VIEW IN DIRECTION OF ARROW 'A'

CHECKER MOTORS CORP. KALAMAZOO, MICH.

MODEL:

B-11  
B-11C

DATE

4-10-72

GRAPHIC ILLUSTRATION

BATTERY - REAR MTD - SPLIT CABLE

DWN. DECKER

CHK. JAMES J. GIBB

SHEET NO. 40 A-5

APPVD.

VIEW IN DIRECTION OF ARROW 'C'

PART NO's ON GI. 40 A-6

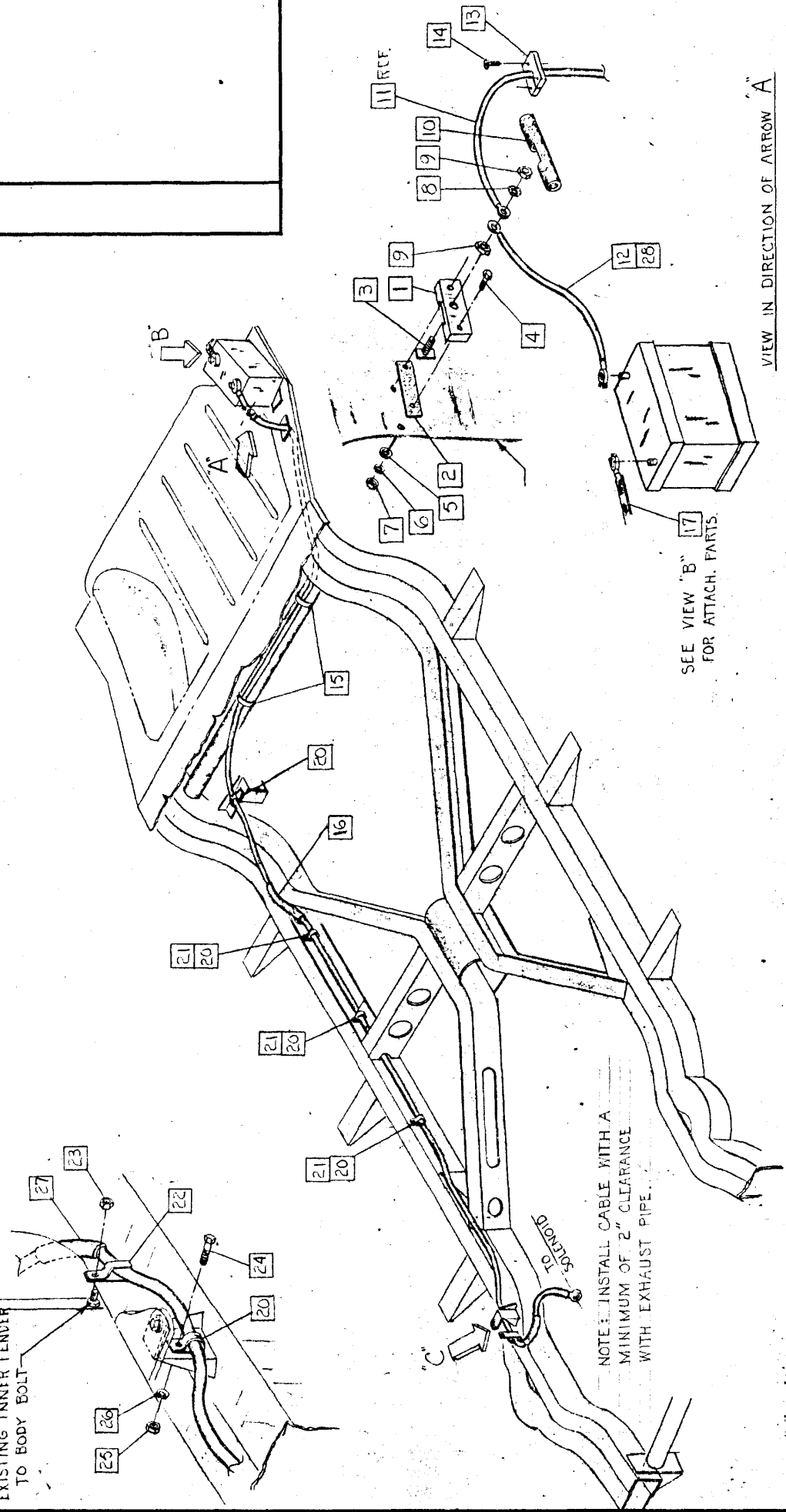
DATE

2/16/72

CHANGES:

New Added

EXISTING INNER FENDER  
TO BODY BOLT



NOTE: INSTALL CABLE WITH A  
MINIMUM OF 2" CLEARANCE  
WITH EXHAUST PIPE.

SEE VIEW "B"  
FOR ATTACH. PARTS.

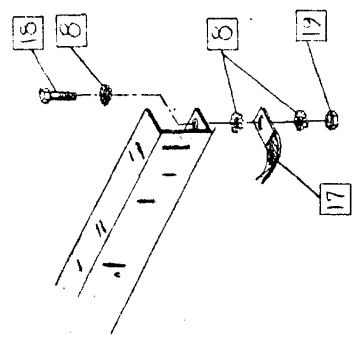
VIEW IN DIRECTION OF ARROW 'A'

CHECKER MOTORS CORP. KALAMAZOO, MICH.

MODEL: B-11 E-11E	DATE 4-10-72	GRAPHIC ILLUSTRATION	SHEET NO. 40 A-6
		BATTERY - REAR MID-SPLIT CABLE	
		APPRVD.	
		DWN. DESKEL CHK. JONES 4/10/72	

DATE	CHANGES
10-1-72	220412 WAJ 41345F
3-20-72	706314 ADPFB
4-17-72	CHAS. F. RAYBIRD

1. 702634 BLOCK - BATTERY CABLE JUNCTION
2. 702837 SPACER - BATTERY CABLE JUNC. BLOCK
3. 701698 BOLT ASM. - BATTERY CABLE JUNCTION
4. 123461 BOLT 1/4-25 x 1 HEX. (2)
5. 120392 WASHER 3/32 ID. x 5/8 OD. (2)
6. 120380 L.W. 1/4 MED. SPRING (2)
7. 120367 NUT 1/4-25 HEX. (2)
8. 178551 L.W. 5/16 INT. EXT. TOOTH (4)
9. 124925 NUT 3/8-24 HEX JAM. (2)
10. 702836 BOOT - BATTERY CABLE JUNCTION
11. 701699 CABLE ASM. - SOL. SW. TO JUNC. BLOCK
12. 701700 CABLE ASM. - JUNC. BLOCK TO BATT. (E-11 ONLY)
13. 701719 INSULATOR - BATTERY CABLE FLOOR
14. 162009 SCREW \*12 x 3/4 PAN HD. (2)
15. 80345 CLAMP ASM. - BRAKE + FUEL LINE (2)
16. 636909 LOOM - REFRIG. TUBING 6" LG.
17. 95275 STRAP ASM. - BATTERY GRD. - REAR MTD.
18. 181637 BOLT 3/8-24 x 1 HEX
19. 120369 NUT 3/8-24 HEX.
20. 702221 CLAMP 3/16 CLOSED (5)
21. 626912 SCREW 3/16-18 x 3/4 HEX. (3)
22. 626532 CLIP 1/16 DOUBLE
23. 271172 NUT + L.W. ASM. 1/4-20 HEX.
24. 181595 BOLT 5/16-24 x 3/4 HEX.
25. 120368 NUT 3/16-24 HEX.
26. 120214 L.W. 3/16 MED. SPRING
27. 706228 PROTECTOR - REAR MTD. BATTERY
28. 705314 CABLE ASM. - JUNC. BLOCK TO BATT (E-11E ONLY)



VIEW IN DIRECTION OF ARROW 'B'

CHECKER MOTORS CORP. KALAMAZOO, MICH.

GRAPHIC ILLUSTRATION

BATTERY - REAR MID. - DELCO SEALED TERMINAL

DATE  
4-12-72

MODEL:  
A-11  
A-11E

SHEET NO. 40 A-7

DWN. DESIGNS  
CHK. 824-14-72

APPVD.

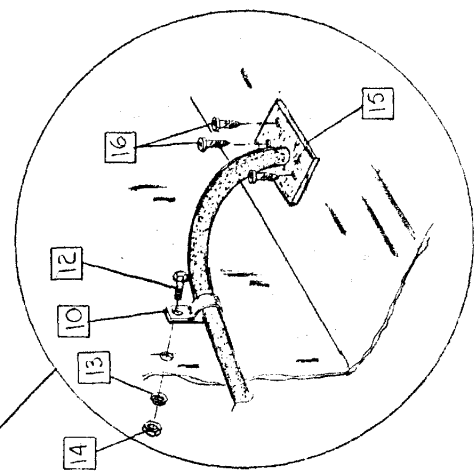
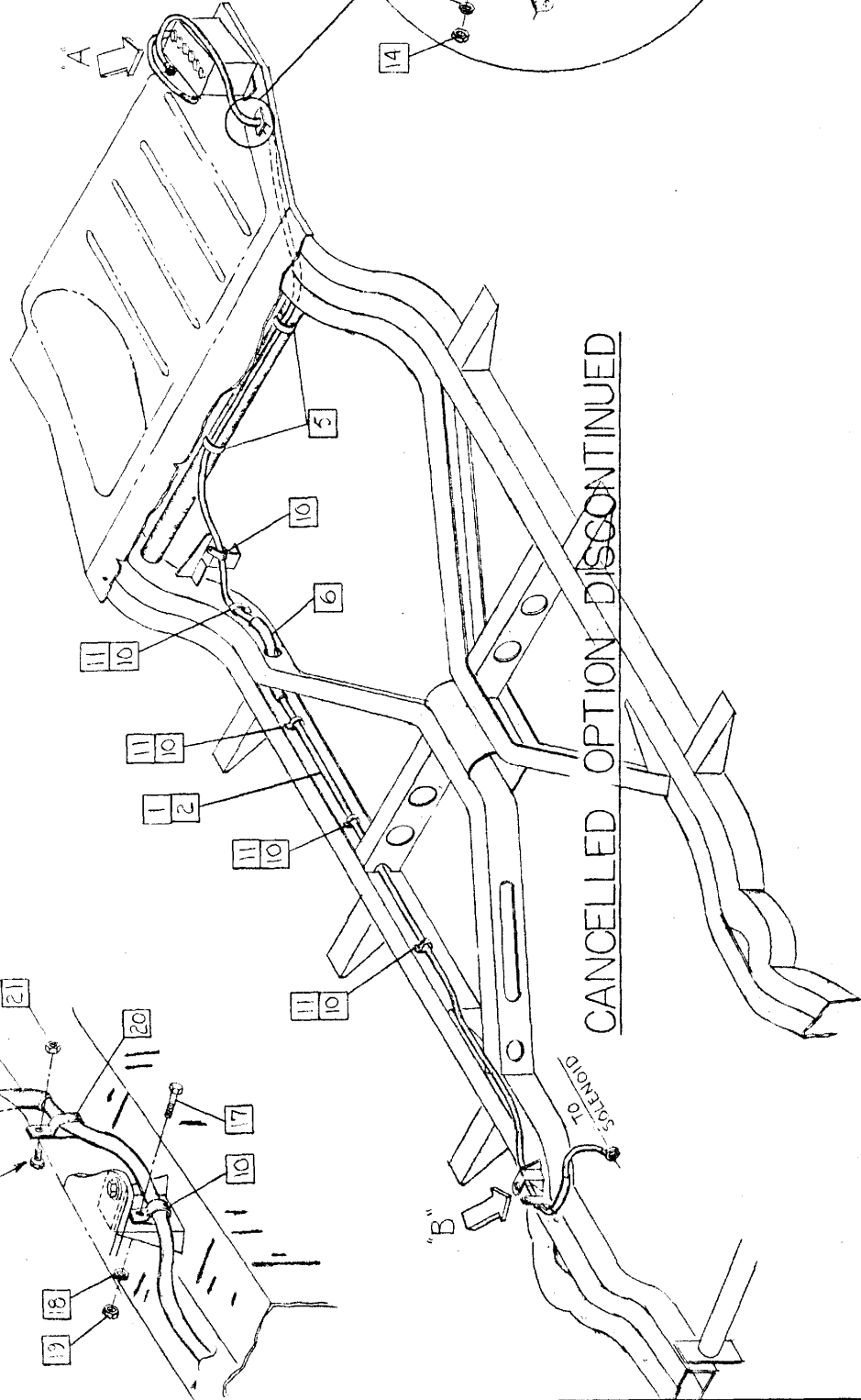
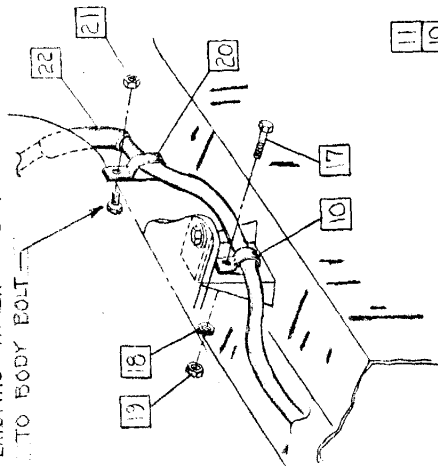
VIEW IN DIRECTION OF ARROW "B"

PART NO'S ON G.I. 40 A-8

DATE  
1-3-73

CHANGES  
CANCELLED

EXISTING INNER FENDER  
TO BODY BOLT



CANCELLED OPTION DISCONTINUED

TO  
SOLENOID

CHECKER MOTORS CORP. KALAMAZOO, MICH.

MODEL: A-11	DATE 4-11-72	GRAPHIC ILLUSTRATION	SHEET NO. 40 A-8
A-11E		BATTERY - REAR MTD. "DELCO" SEALED TERMINAL"	
		DWN. DEKER CHK. 4-14-72	
		APPVD.	

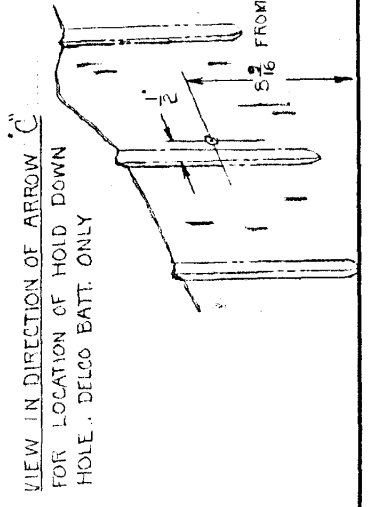
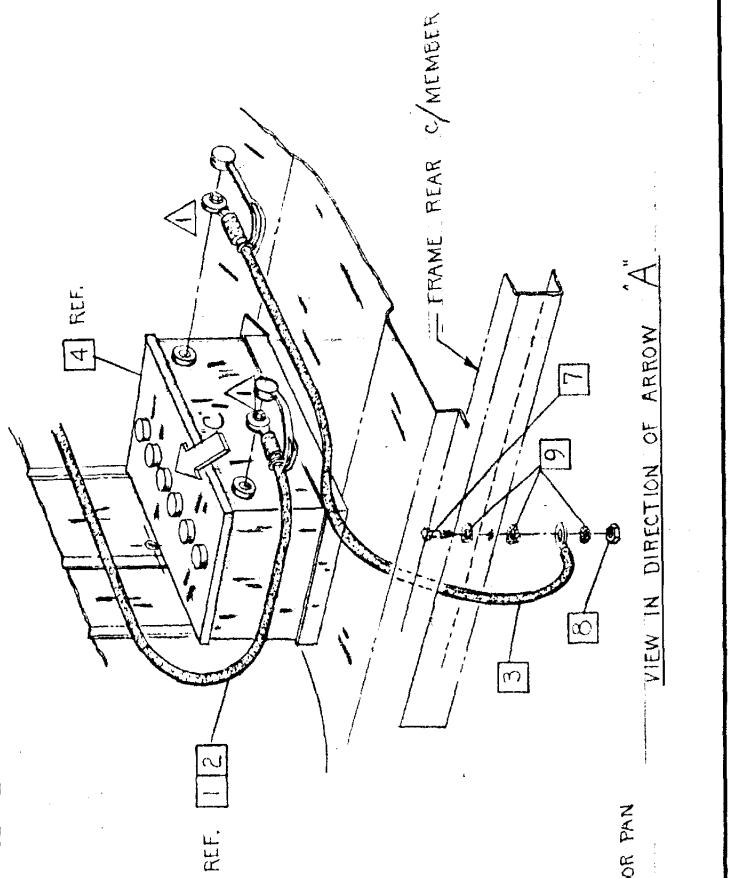
DATE	CHANGES
11-28-72	626912 WA 443665
1-4-72	CAMPTUAP

1. 705107 CABLE ASM. - REAR MTD. BATT. B-11
2. 705108 CABLE ASM. - REAR MTD BATT. B-11E
3. 705099 CABLE ASM. - REAR MTD BATT. NEG.
4. 705086 BATTERY ASM. - DELCO SEALED TERM.
5. 80345 CLAMP ASM. - BRAKE + FUEL LINE (2)
6. 636909 LOOM. - REFRIG. TUBING - 6' LG.
7. 181637 BOLT  $\frac{3}{8}$  - 24 x 1 HEX.
8. 120369 NUT  $\frac{3}{8}$  - 24 HEX.
9. 175561 LW.  $\frac{3}{8}$  INT. EXT. TOOTH (3)
10. 702221 CLAMP  $\frac{1}{2}$  CLOSED (7)
11. 626912 SCREW  $\frac{3}{16}$  - 13 -  $\frac{1}{4}$  HEX (4)
12. 626543 SCREW # LW. ASM.  $\frac{1}{4}$  - 20 x  $\frac{5}{8}$  HEX.
13. 120380 LW.  $\frac{1}{2}$  MED. SPRING
14. 120375 NUT  $\frac{1}{4}$  - 20 HEX.
15. 94719 INSULATOR - BATTERY CABLE FLOOR
16. 162009 SCREW #12 -  $\frac{1}{2}$  PAN HD (5)
17. 181595 BOLT  $\frac{3}{16}$  - 24 -  $\frac{1}{4}$  HEX.
18. 120214 LW.  $\frac{3}{16}$  MED. SPRING
19. 120368 NUT  $\frac{3}{16}$  - 24 HEX.
20. 626532 CLIP  $\frac{3}{16}$  DOUBLE
21. 271172 NUT - LW. ASM.  $\frac{1}{4}$  - 20 HEX.
22. 706228 PROTECTOR - REAR MTD. BATT.

$\triangle$  60 - 90 INCH. LES. TORQUE  
DO NOT OVER TORQUE

NOTE:  
BATTERY HOLD INSTALLATION IS THE SAME AS REGULAR BATTERY EXCEPT FOR HOLE LOCATION. SEE VIEW 'C'

CANCELLED OPTION DISCONTINUED





CHECKER MOTORS CORP. KALAMAZOO, MICH.

EFFECTIVE

MODEL: B-12  
B-12E  
B-12W

DATE  
11-7-72

GRAPHIC ILLUSTRATION  
BATTERY INSTALLATION - FRONT MTD. 6 CAL.

DWN. Decker  
CHK.  
APPVD.

SHEET NO. 40 A-9

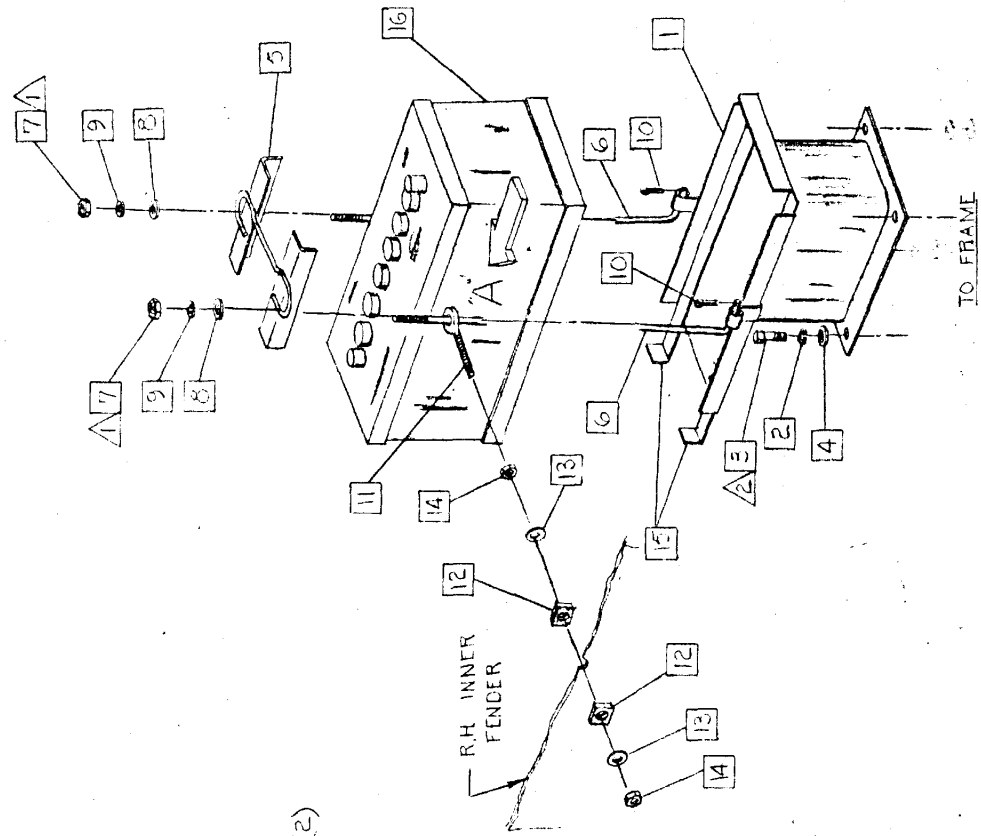
PER MEMO # 327

DATE	CHANGES
1-3-75	706238 + 705586 RTRNVD

- 1. 701104 SUPPORT ASM. BATTERY COMP.
- 2. 120383 L.W. 3/16 MED. SPRING (4)
- 3. 181645 BOLT 3/16 20 x 1 1/4 HEX. (4)
- 4. 120358 WASHER 3/16 ID. x 1.00. (4)
- 5. 95027 HOLD DOWN - BATTERY
- 6. 94489 ROD - BATTERY HOLD DOWN (2)
- 7. 120358 NUT 3/16 24 HEX. (2)
- 8. 446362 WASHER 3/16 ID. x 3/5 OD. (2)
- 9. 120214 L.W. 3/16 MED. SPRING (2)
- 10. 121222 COTTER PIN. 3/16 x 3/4 (2)
- 11. 70196 EOLT - EYE
- 12. 640597 SHEM - RAD SUPT. 1/2 THK. (2)
- 13. 446477 WASHER 3/16 ID. x 1 1/2 OD. (2)
- 14. 124864 NUT 3/16 12 HEX JAM. (2)

15. { 94555 80-OR 90 AMP } CLIP - BATT TRAY (2)

16. { 70192C 80 AMP } BATTERY



WHEN INSTALLATION HAS BEEN MADE, EYEBOLT MUST BE ABLE TO SLIDE ON HOLD DOWN ROD WITH NO RESTRICTING TENSION.

▲ 5 - 8 FT. LBS. TORQUE  
△ 40 - 45 FT. LBS. TORQUE

VIEW IN DIRECTION OF ARROW A

CHECKER MOTORS CORP. KALAMAZOO, MICH.

EFFECTIVE: OCT 1, 1970

MODEL: B-11 B-11E  
 B-12 B-12E  
 B-12W

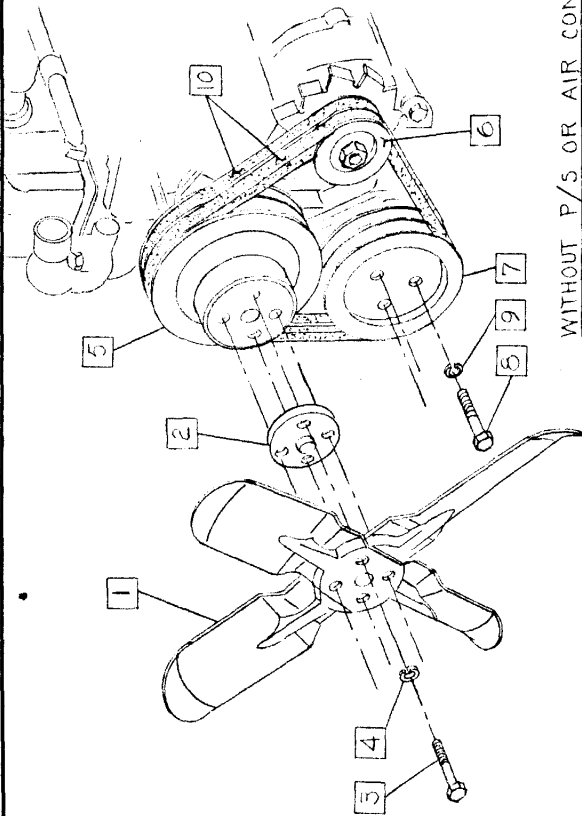
DATE  
 8-15-70

GRAPHIC ILLUSTRATION  
 BELT & PULLEY ARRANGEMENTS - 6 CYL.

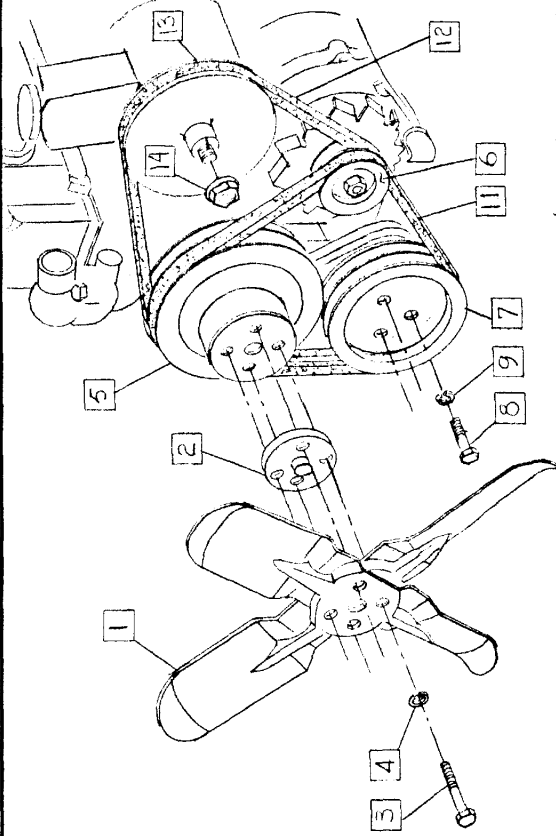
SHEET NO. 50 A-1

DWN. DECKEN  
 CHK. *[Signature]*

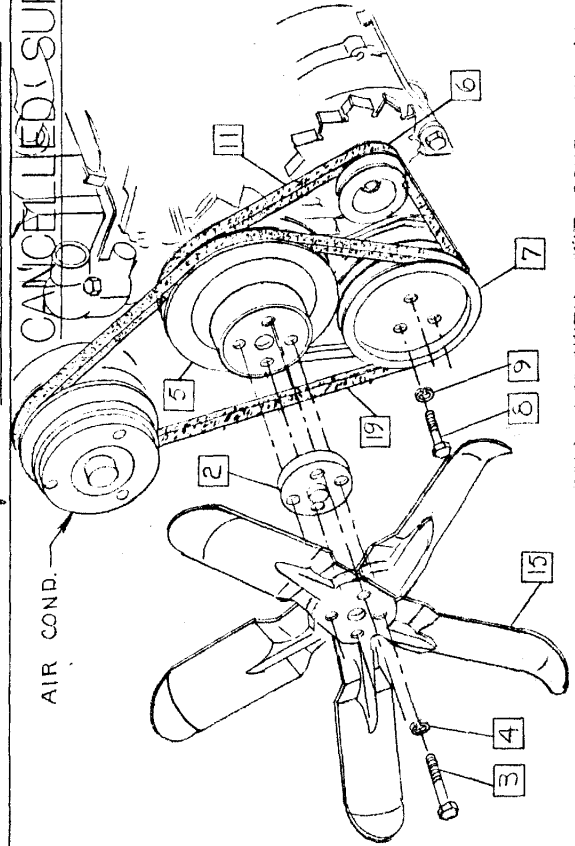
APPVD.



WITHOUT P/S OR AIR COND.

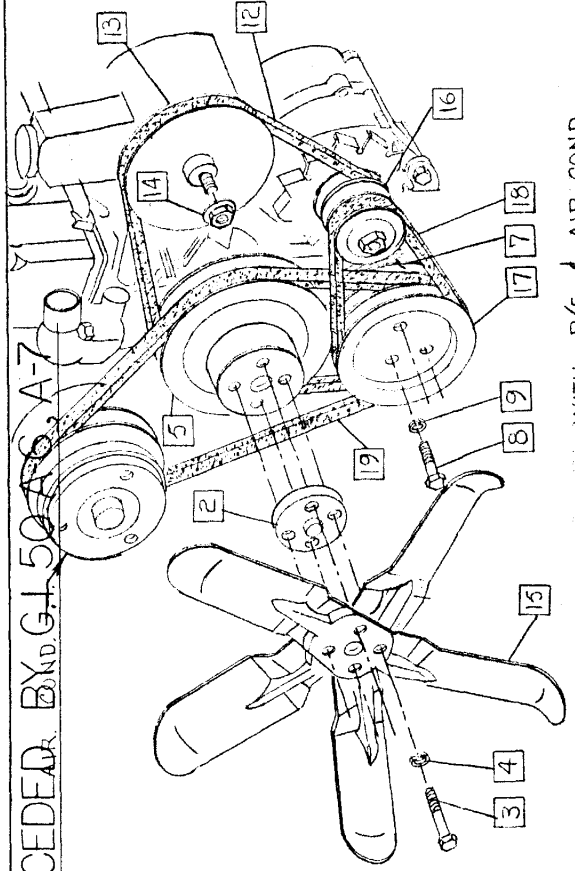


WITH P/S ONLY



WITH AIR COND. ONLY

~~CANCELLED / SUPERCEDED BY D.G.L. 50 A-7~~



WITH P/S & AIR COND.