

CHECKER MOTORS CORP. KALAMAZOO, MICH.

EFFECTIVE OCT 1, 1970

MODEL: A-11E  
A-12E  
A-12

A-12WB

DATE  
8-19-70.

GRAPHIC ILLUSTRATION

AIR COND. - CONDENSER MTG. - RADIATOR.

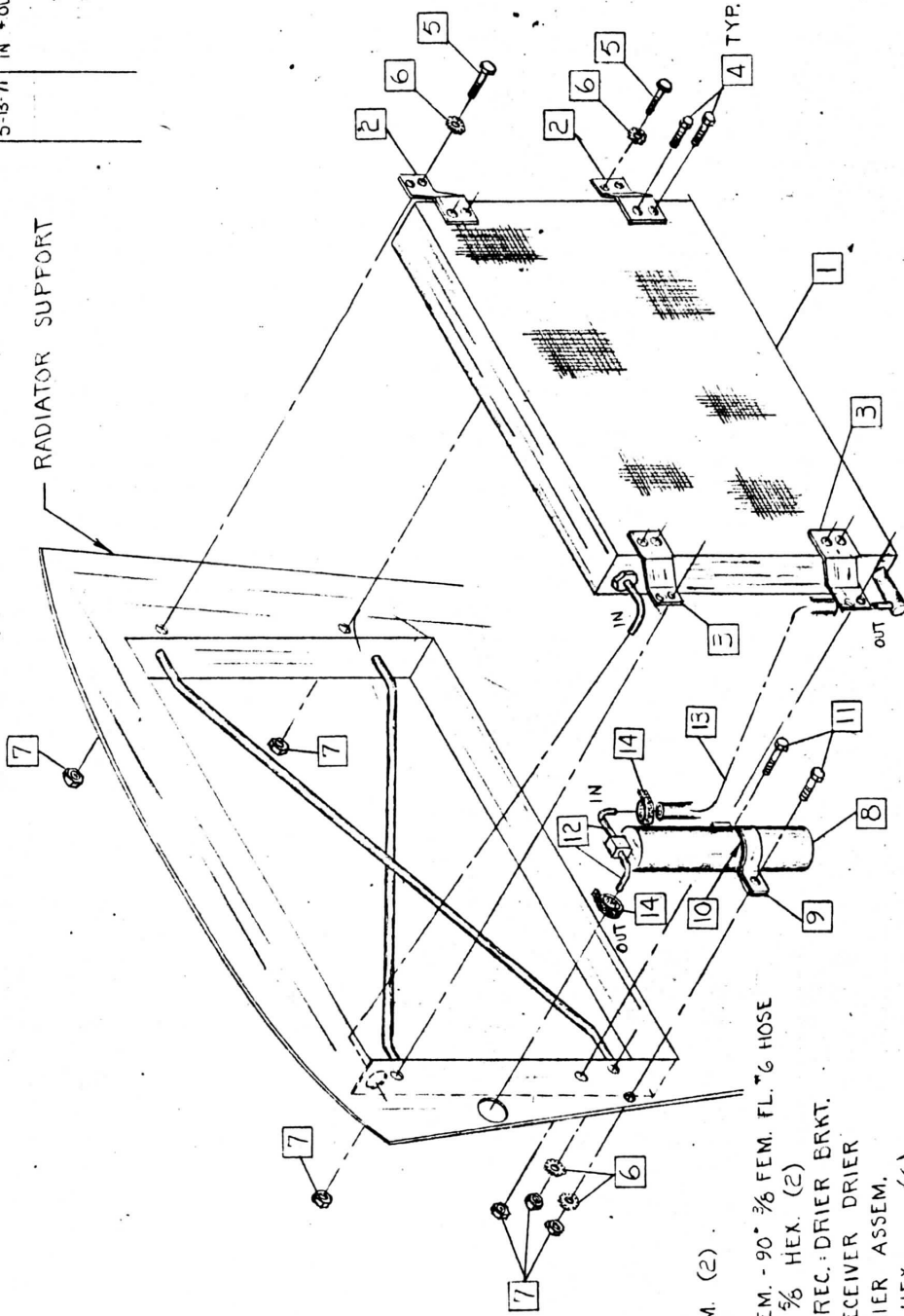
DWN. DECKER  
CHK. RCP B-2/J-70

SHEET NO. 12 A-1

APPVD.

CHANGES

5-13-71 1" IN. "OUT" Added To Deskt.



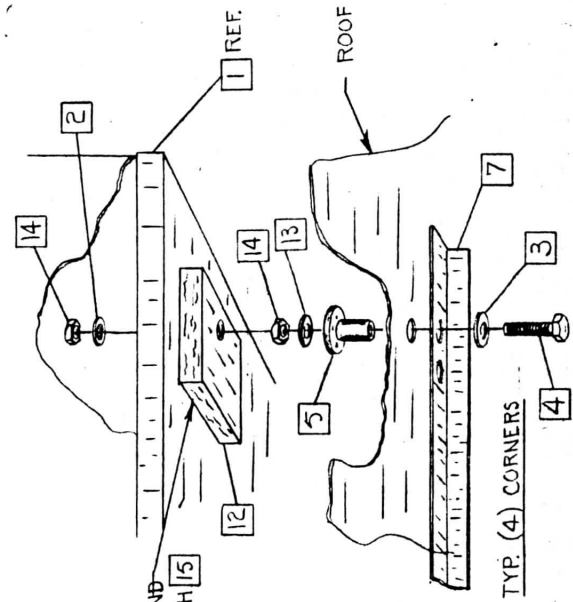
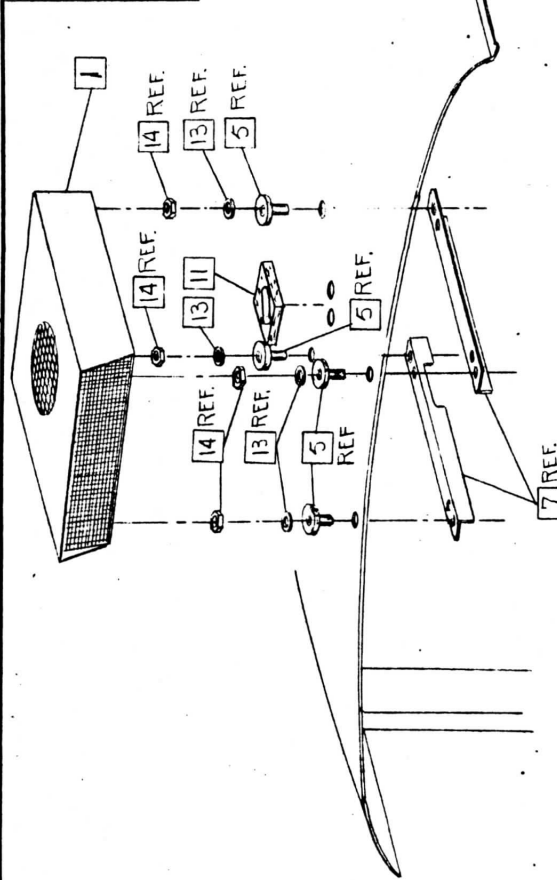
- 14. 703240 CLAMP ASSEM. (2)
- 13. 645297 HOSE ASSEM.
- 12. 645301 FITTING ASSEM. - 90° 3/8 FEM. FL. 1/2 HOSE
- 11. 120654 BOLT 1/4-20 x 3/4 HEX. (2)
- 10. 644263 INSULATION - REC. DRIER BRKT.
- 9. 644269 BRACKET - RECEIVER DRIER
- 8. 645285 RECEIVER DRIER ASSEM.
- 7. 120375 NUT 1/4-20 HEX. (6)
- 6. 120350 L.W. 1/4 MED. SPRING (6)
- 5. 121587 BOLT 1/4-20 x 3/4 HEX. (4)
- 4. 274105 SCREW #10-24 x 3/8 HEX. W/HD. (6)
- 3. 646150 BRACKET - COND. TO RAD. SUPT. - R.H. (2)
- 2. 646149 BRACKET - COND. TO RAD. SUPT. - L.H. (2)
- 1. 645284 CONDENSER ASSEM. - AIR COND.

PARTS 1-7 ARE PART OF KIT \*643685.

- 1. CONDENSER ASM.
- 2. LW.  $\frac{7}{16}$  INT. TOOTH (4)
- 3. WASHER  $\frac{3}{8}$  I.D. (4)
- 4. SCREW  $\frac{3}{8}$ -16 x 2 1/2 HEX. (4)
- 5. WELL-NUT (4)
- 6. REINFORCING ANGLE (2)

- 9. GROMMET - ROOF TOP AIR COND. (2)
- 10. SCREW + WASHER ASM. #8 x 3/4 (6)
- 11. SEAL
- 12. PAD (4)
- 13. WASHER  $\frac{1}{16}$  I.D. x 1 3/8 O.D. (4)
- 14. NUT  $\frac{3}{8}$ -16 HEX. (8)
- 15. SEALER

CHANGES  
5-3-71 446477 Was 446263  
~ 120377 (8) Read Was. (4)  
4-2-73 626456 Was 626626



SEAL BETWEEN 12 AND COND. AND ROOF WITH 15

SEAL AROUND BOTH GROMMETS WITH 15

SEAL BETWEEN SEAL 11 AND COND. ASM. WITH 15

TYP. (4) CORNERS