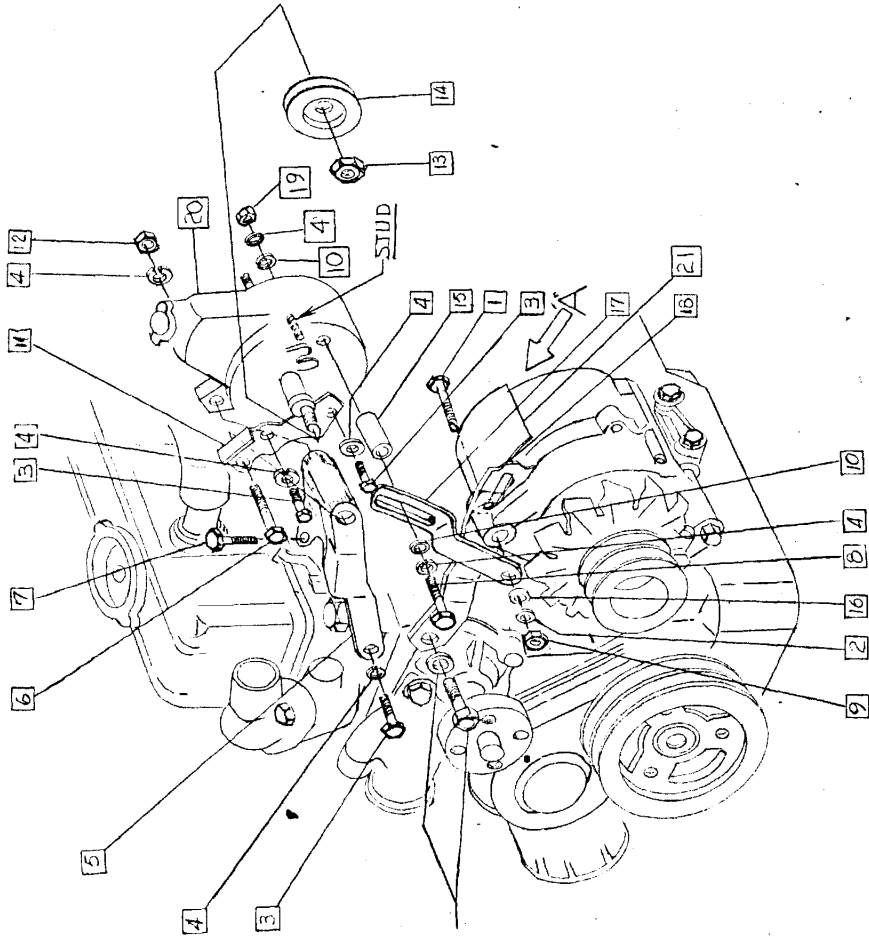


EFFECTIVE SEPT. 1, 1968

CHECKER MOTORS CORP. KALAMAZOO, MICH.

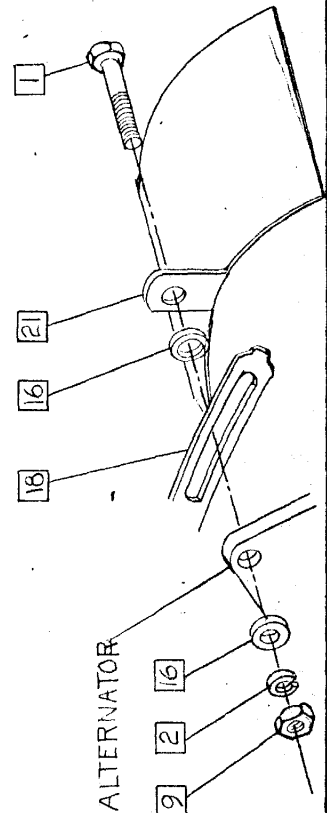
MODEL B-11 B-12	CHASSIS B-12 W B-12 E	DATE 9-19-68	GRAPHIC ILLUSTRATION	SHEET NO. 724-A
			CHK. <i>[Signature]</i>	APPVD MODEL YEAR 1969
POWER STEERING - 6 CYL. (AUTO. TRANS.)				

- 7 - 626479 - SCREW & L.W. ASSEM.
- 2 - 120214 - LOCK WASHER
- 3 - 122104 - BOLT (3)
- 4 - 120382 - LOCK WASHER (6)
- 5 - 702172 - SUPPORT P/S (FURN. IN KIT)
- 6 - 189329 BOLT
- 7 - 702622 - BOLT (FURN. IN KIT)
- 8 - 120918 - BOLT
- 9 - 120376 - NUT
- 10 - 120394 - WASHER (2)
- 11 - 702710 - BRACKET (FURN. IN KIT)
- 12 - 120369 - NUT
- 13 - 702170 - NUT (FURN. IN KIT)
- 14 - 702167 - PULLEY P/S (FURN. IN KIT)
- 15 - 702328 - SPACER
- 16 - 120393 - WASHER (2)
- 17 - 704360 - BRACE - P/S
- 18 - ADJ. LINK (FURN. ON ENGINE)
- 19. 120377. NUT  $\frac{3}{8}$ -16 HEX.
- 20. 703167. PUMP ASSEM.
- 21. 701503. SHIELD ASSEM.



FURN. IN KIT

VIEW IN DIRECTION OF ARROW "A"



ALTERNATOR

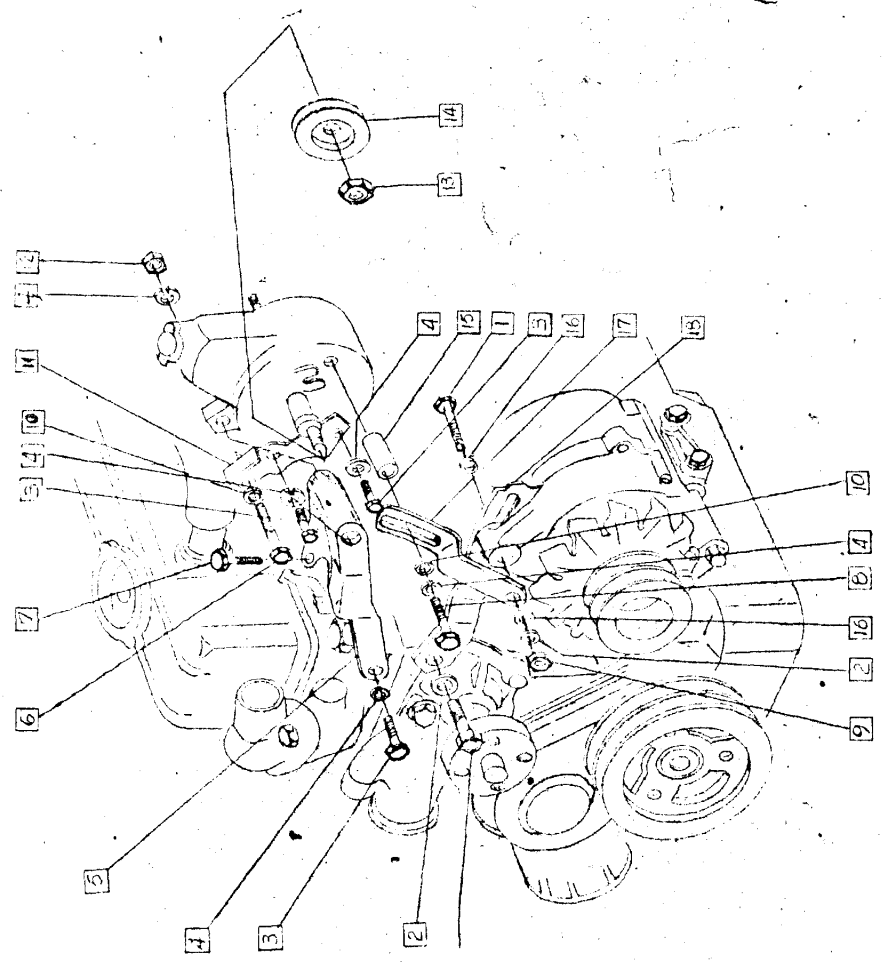
EFFECTIVE JAN 1, 1968

CHECKER MOTORS CORP. KALAMAZOO MICH.

MODEL B-11 B-12	CHASSIS B-12 W B-12 L	DATE 7-10-68	GRAPHIC ILLUSTRATION POWER STEERING - 6 CYL. (AUTO. TRANS.)	SHEET NO 724
		APPROV		

- 1 - 626479 - SCREWS L.W. ASSEM.
- 2 - 120214 - LOCK WASHER (2)
- 3 - 122104 - BOLT (3)
- 4 - 120382 - LOCK WASHER (5)
- 5 - 702172 - SUPPORT P/S (FURN. IN KIT)
- 6 - 189330 - BOLT
- 7 - 702622 - BOLT (FURN IN KIT)
- 8 - 120918 - BOLT
- 9 - 120376 - NUT
- 10 - 120394 - WASHER (2)
- 11 - 702710 - BRACKET (FURN. IN KIT)
- 12 - 120369 - NUT
- 13 - 702170 - NUT (FURN. IN KIT)
- 14 - 702167 - PULLEY P/S (FURN. IN KIT)
- 15 - 702328 - SPACER
- 16 - 120393 - WASHER (2)
- 17 - 704360 - BRACE P/S
- 18 - ADJ. LINK (FURN ON ENGINE)

FURN. IN KIT



OBSOLETE PER MEMO #219