

CHECKER MOTORS CORP. KALAMAZOO, MICH.

EFFECTIVE PER. MEMO * 226

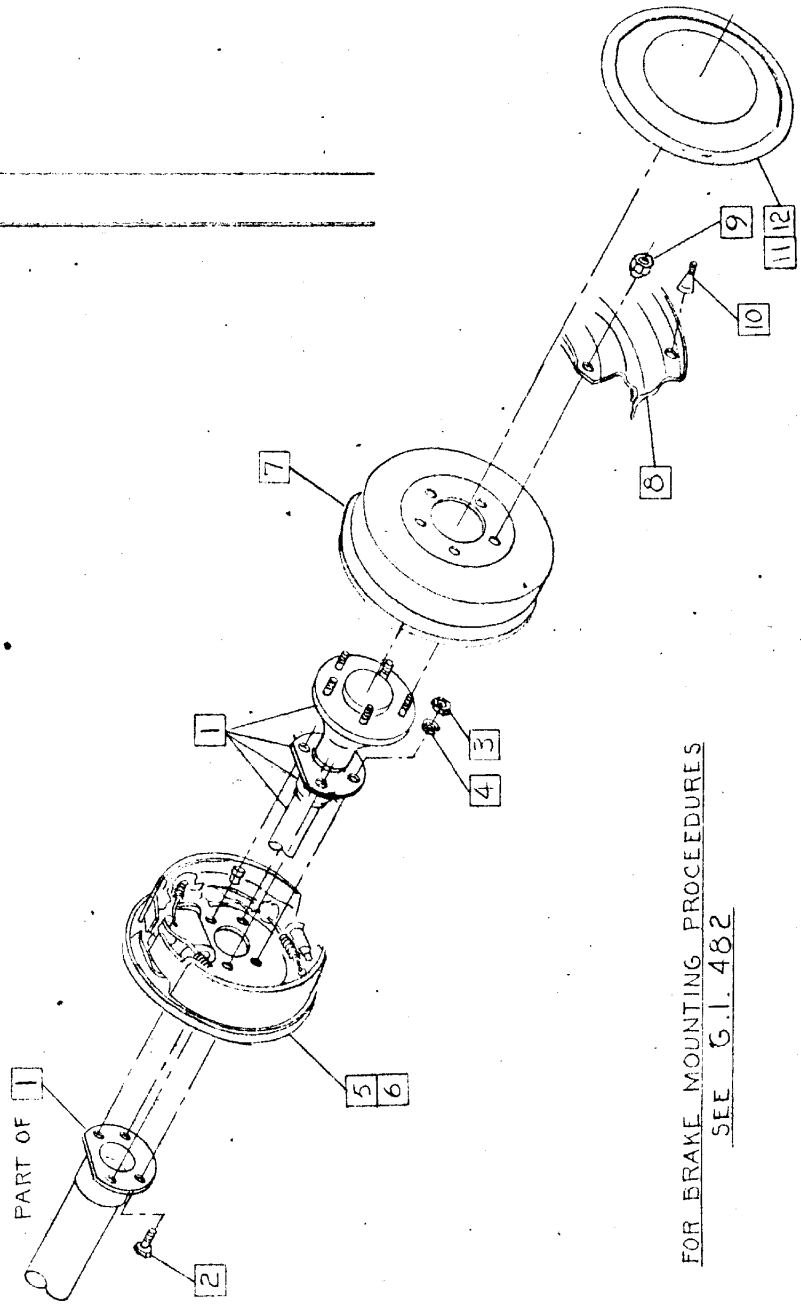
DWN. DEKKER
CHK. S.P.B.
SHEET NO. 480-A
APPVD.

GRAPHIC ILLUSTRATION
REAR AXLE & WHEEL ASSEM.

MODEL: B-II B-III
B-12 B-12E
B-12W
DATE
1-23-69

1. 703355 AXLE ASSEM. - 3.31:1
- 703356 AXLE ASSEM. - 3.31:1 PWR. LOC.
- 703357 AXLE ASSEM. - 3.54:1
- 703358 AXLE ASSEM. - 3.54:1 PWR. LOC.
2. 626821 BOLT - BRAKE MOUNTING (8)
3. 626822 NUT $\frac{3}{8}$ -24 HEX. SPECIAL (8)
4. 186417 LW. $\frac{3}{8}$ MED. SPR.
5. 703343 BRAKE ASSEM. - REAR L.H.
6. 703344 BRAKE ASSEM. - REAR R.H.
7. 703352 DRUM ASSEM. - REAR (2)
8. 703354 WHEEL ASSEM. (2)
9. 94450 NUT - WHEEL (10)
10. 701440 VALVE - WHEEL (2)
11. 702669 CAP - HUB (2)
12. 702988 WHEEL COVER (2)

CHANGES



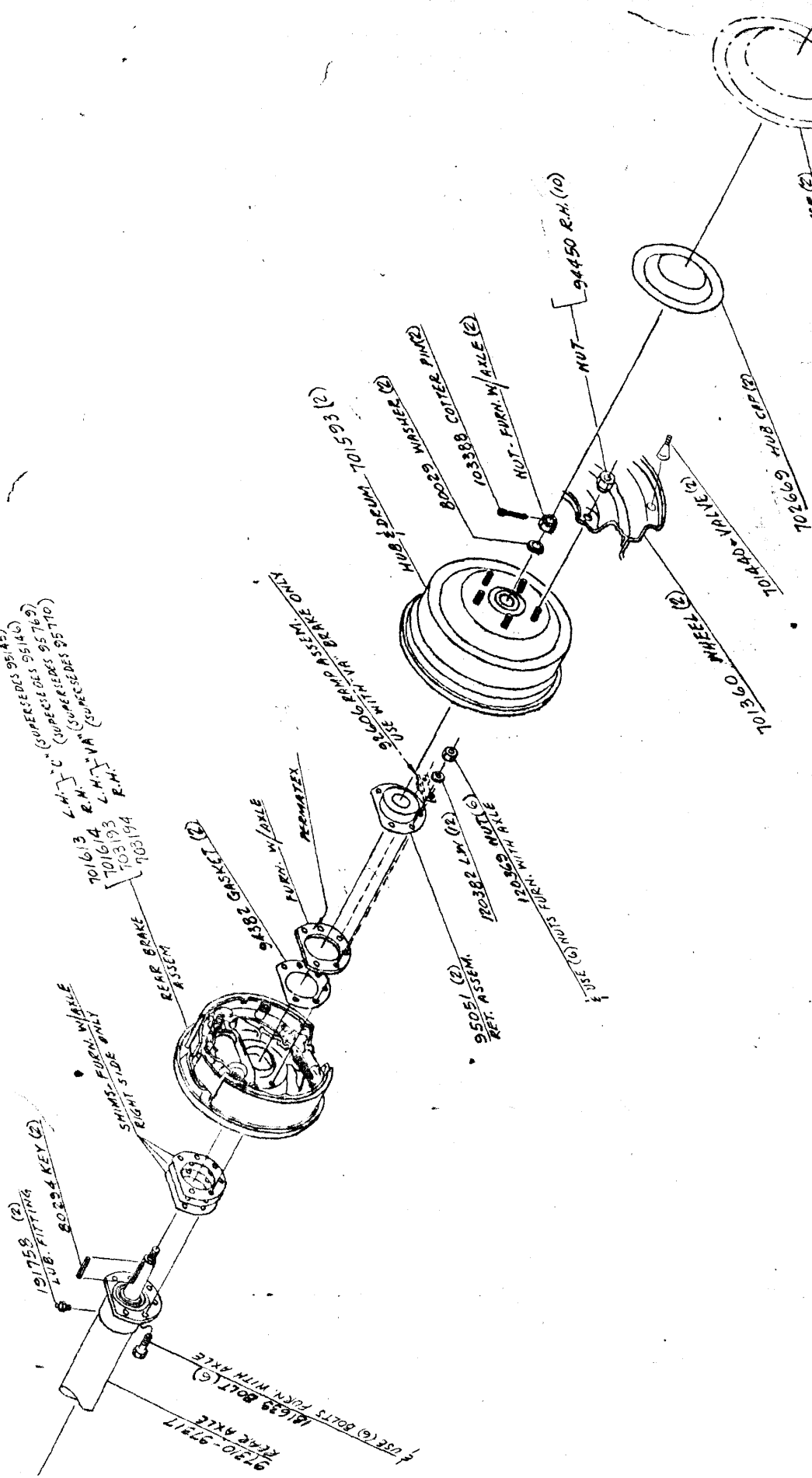
FOR BRAKE MOUNTING PROCEDURES
SEE G.I. 482

EFFECTIVE JAN. 1, 1968

CHECKER MOTORS CORP, KALAMAZOO, MICH.

MODEL B-11	CHASSIS	DATE	SHEET NO.
1150	B-12	1-27-68	480
ADRIANO	B-12	1-27-68	
		APP'D	

GRAPHIC ILLUSTRATION
 REAR AXLE ASSEM. INCL. BRAKE ASSEM, HUB & DRUMS, WHEELS
 HUB CAPS & WHEEL COVERS



OBSOLETE PER MEMO #226 SEE G.I. 480-A