

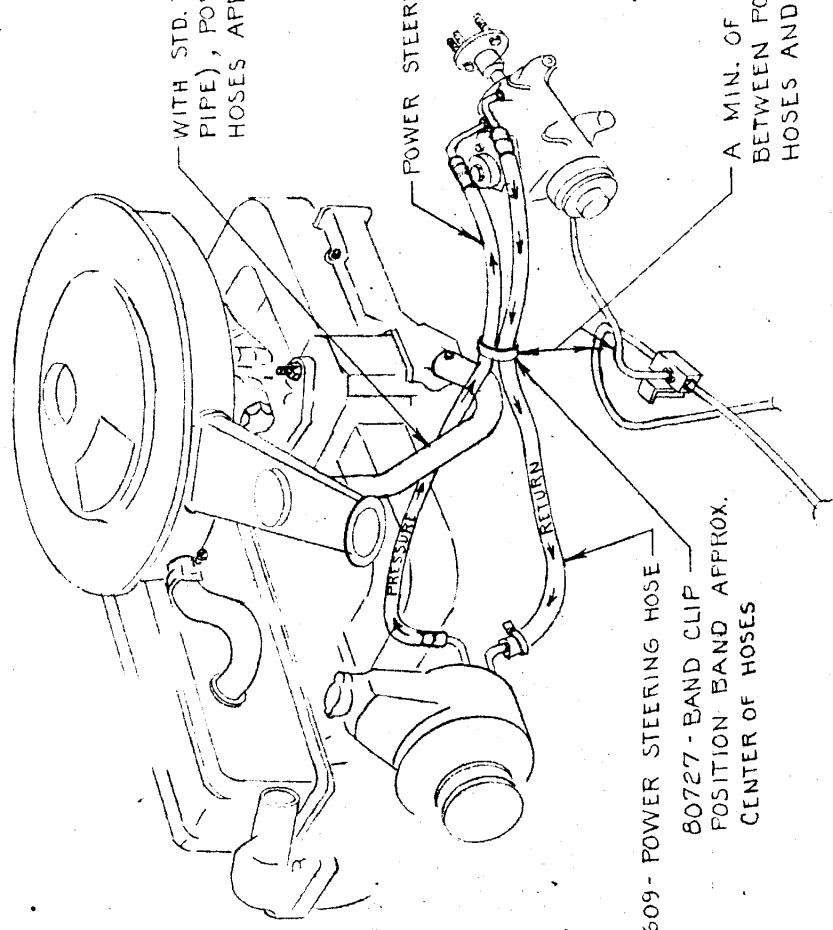
CHECKER MOTORS CORP. KALAMAZOO, MICH. EFFECTIVE SEPT 1, 1968

MODEL: B-11 B-12 B-12W	B-11E B-12E	DATE 10-25-68	GRAPHIC ILLUSTRATION POWER STEERING HOSE ROUTING - 6 CYL.	DWN. DENKER CHK. <i>Eg</i> 10/25/68	SHEET NO. 732-A
APPVD.			MODEL YEAR 1969	CHANGES	

7-7-68	BLEEDING KIT APPLD
--------	--------------------

HYDRAULIC STEERING BLEEDING INSTRUCTIONS

1. Attach hoses to pump & gear. CAUTION Do not remove plastic plugs from gear until immediately prior to installation of hoses.
2. Fill pump to within approx. 2.0 inches of top of filler neck prior to engine start or pump rotation.
3. Rotate pump & maintain 2.0 inch level until no more foam or bubbles appear. CAUTION Do not turn steering wheel until completion of step 3 since this will load the system and build up oil pressure which will dissolve air in the oil. It will then take 2 or 3 hours to defoam before bleeding can be completed.
4. Check hoses & fittings for leaks by pressurizing system.
5. Add fluid to level marked on dipstick as required.



WITH STD. TRANS. (NO HEAT STOVE PIPE), POSITION POWER STEERING HOSES APPROX. THE SAME.

POWER STEERING HOSE-703181

A MIN. OF 2 IN. CLEARANCE BETWEEN POWER STEERING HOSES AND HYDRALIC LINES

701609- POWER STEERING HOSE
80727- BAND CLIP
POSITION BAND APPROX.
CENTER OF HOSES

CHECKER MOTORS CORP. KALAMAZOO, MICH.

MODEL: B-11 B-11E	DATE	DWN. DEKLER	SHEET NO.
B-12 B-12E B-12W	3-17-69	CHK. <i>AK</i>	732
GRAPHIC ILLUSTRATION		APPVD.	
POWER STEERING HOSE ROUTING - 8-CYL.			

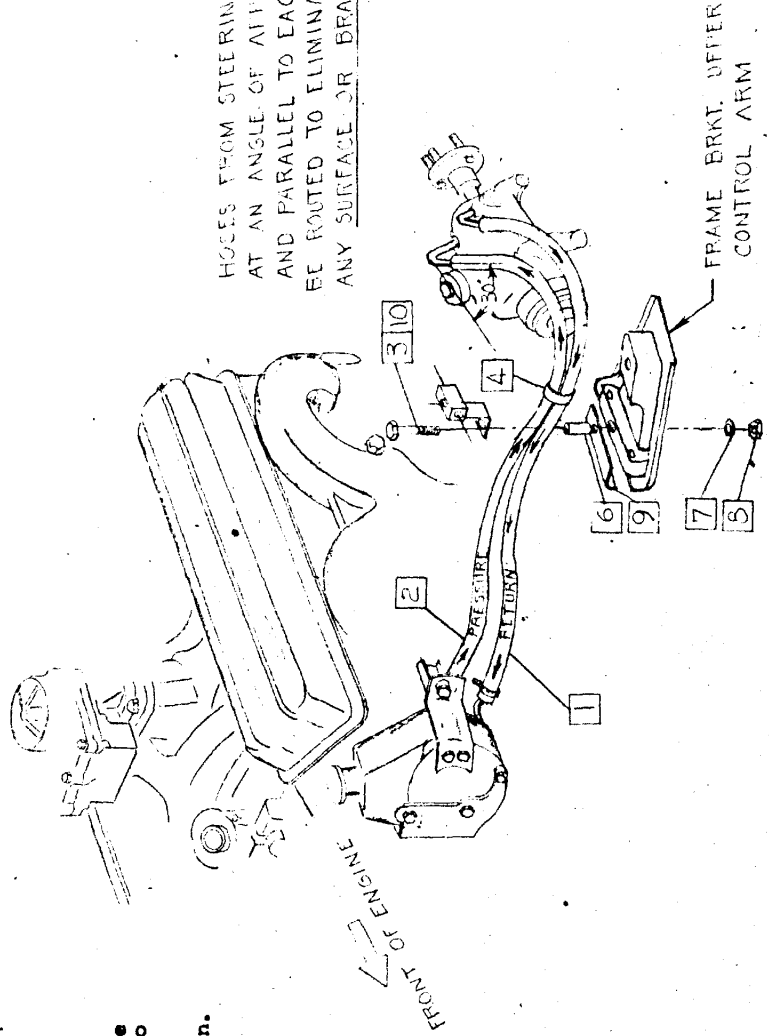
NO.	DESCRIPTION	QTY.	REMARKS
1.	701609 HOSE - POWER STEERING		
2.	703151 HOSE - POWER STEERING		
3.	121260 BOLT 1/4-20 x 2 1/4 HEX		
4.	60727 BAND CLIP		
5.	704563 JUNCTION		
6.	702977 SPACER		
7.	120380 LW 1/4 MED. SPRING		
8.	120575 NUT 1/4-20 HEX		
9.	704672 PROTECTOR		
10.	121973 BOLT 1/4-20 x 2 3/4		

(B 12W6+8 WITH AIR ONLY)

NO.	DESCRIPTION	QTY.	REMARKS
3-23-69	704672 + 121973		
7-7	BANDS NOT ADDED		
7-22	704568 WAS 944A		
~	80727 WAS 62653		

HYDRAULIC STEERING BLEEDING INSTRUCTIONS

1. Attach hoses to pump & gear. CAUTION Do not remove plastic plugs from gear until immediately prior to installation of hoses.
2. Fill pump to within approx. 2.0 inches of top of filler neck prior to engine start or pump rotation. Rotate pump & maintain 2.0 inch level until no more foam or bubbles appear. CAUTION Do not turn steering wheel until completion of Step 3 since this will load the system and build up oil pressure which will dissolve air in the oil. It will then take 2 or 3 hours to defoam before bleeding can be completed.
3. Check hoses & fittings for leaks by pressurizing system.
4. Add fluid to level marked on dipstick as required.



FRAME BRKT. UPPER CONTROL ARM

HOSES FROM STEERING GEAR SHOULD BE AT AN ANGLE OF APPROX. 30° OUTBOARD AND PARALLEL TO EACH. HOSES MUST BE ROUTED TO ELIMINATE CONTACT WITH ANY SURFACE OR BRAKE TUBES.