

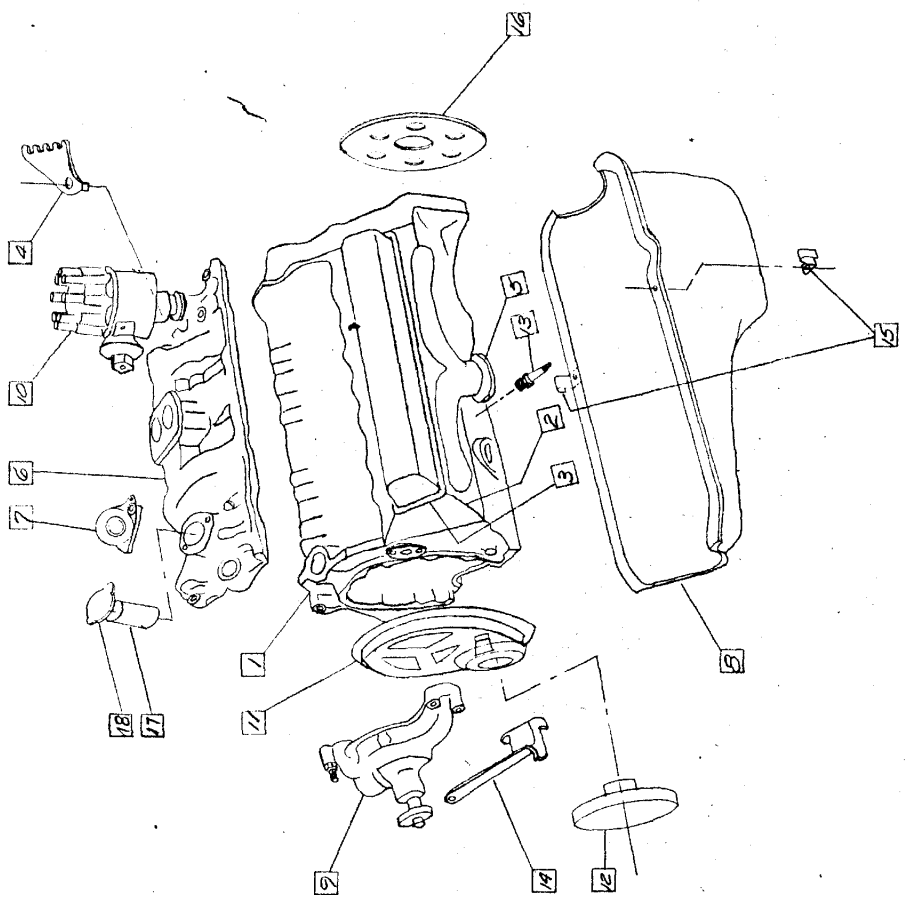
CHECKER MOTORS CORP. KALAMAZOO, MICH.

MODEL: B-12 B-12E CHASSIS	DATE 1-1-68	GRAPHIC ILLUSTRATION	SHEET NO. 583
		ENGINE ASSEM. - AS REC'D. AUTO. TRANS. - V-8 - 307 C.I.D. EXTERNAL PARTS	APPVD.

DWN VAN NORTON  
CHN. PE 1-5-68

REFERENCE:  
705033 - ENGINE ASSEM. (AS SHIPPED)  
CHEVROLET # 3931035

- 1 3914632 - CYL. CASE ASSEM. OPTION
- 2 3914634 - CYL. CASE ASSEM.
- 3 3911030 - HEAD CYL. (2)
- 4 3923206 - COVER-VALVE ROCKER (2)
- 5 3929104 - SUPPRT. SPARK PLUG WIRE
- 6 3846557 - MANIFOLD-EXHAUST-L.H.
- 7 3896954 - MANIFOLD-EXHAUST-R.H.
- 8 3917296 - MANIFOLD-INTAKE
- 9 3877660 - OUTLET-WATER
- 10 3917697 - PAN ASSEM-OIL
- 11 3923244 - PUMP-WATER
- 12 111257 - DISTRIBUTOR ASSEM.
- 13 3917618 - COVER-FRONT END
- 14 3861970 - BALANCEE ASSEM-HARMONIC
- 15 3896904 - BALANCEE ASSEM-HARMONIC - OPTION
- 16 5601848 - SPARK PLUG ASSEM (8)
- 17 3846565 - SUPPRT. ALTERNATOR
- 18 3744409 - CLIP-SPARK PLUG WIRE (2)
- 19 3889821 - FLYWHEEL ASSEM
- 20 3923234 - TUBE ASSEM-OIL FILLER
- 21 3881034 OPT. CAP ASSEM-OIL FILLER
- 22 6410315



OBsolete PER MEMO # 219