

CHECKER MOTORS CORP. KALAMAZOO, MICH.

582

SHEET NO.

CHK. BY 1-5-68

APPVD.

GRAPHIC ILLUSTRATION

ENGINE ASSEM. - AS REC'D.

STD. TRANS. - V-8 - 307 C.I.D. - EXTERNAL PARTS

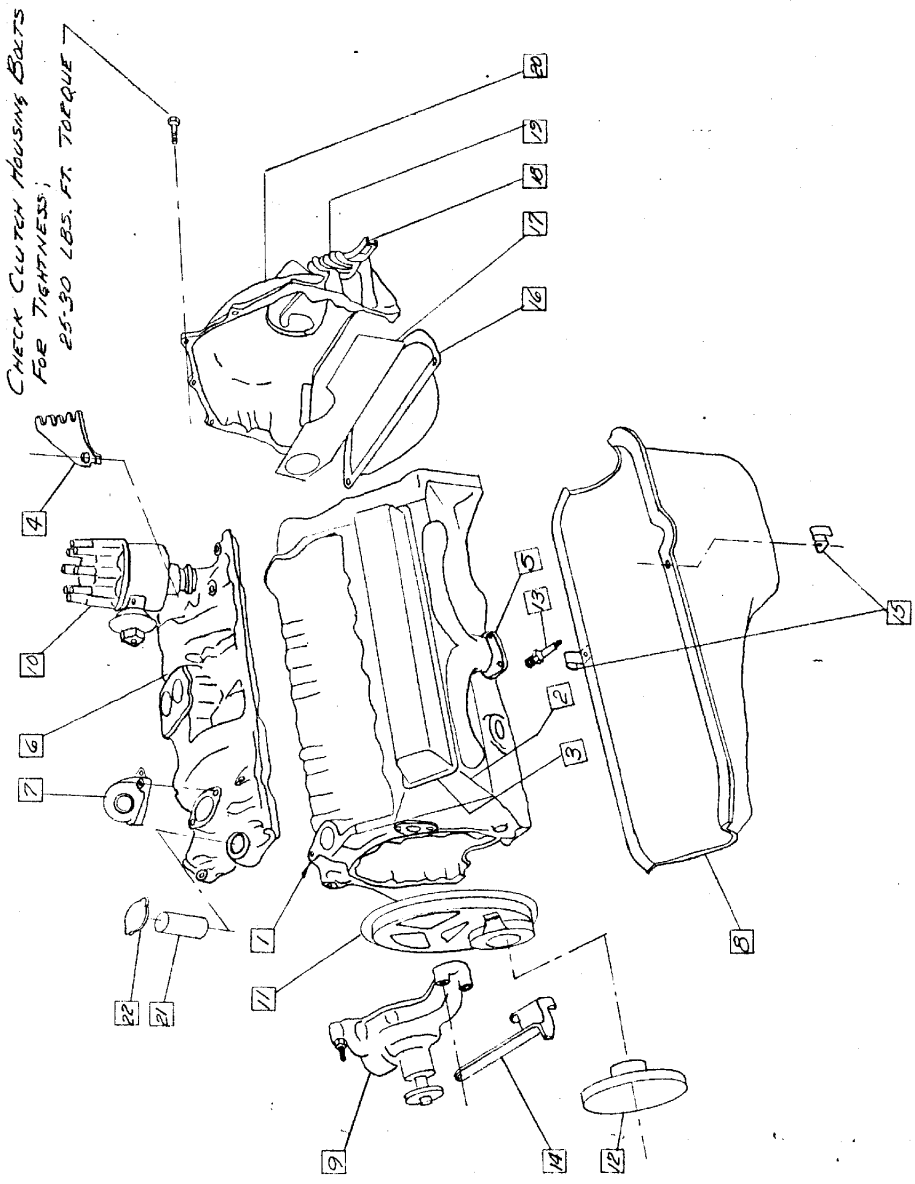
REFERENCE:
703022-ENGINE ASSEM. (AS SHIPPED)
CHEVROLET #9931034

DATE

1-1-68

MODEL: B-12 B-12W B-12E CHASSIS

- 1 3914632 - CYL & CASE ASSEM. } OPTION
- 2 3914634 - CYL & CASE ASSEM. }
- 3 3911030 - HEAD - CYL. (2)
- 4 3923208 - COVER - VALVE ROCKER (2)
- 5 3927104 - SUPPORT - SPARK PLUG WIRE
- 6 3892765 - MANIFOLD - EXHAUST - LH.
- 7 3903562 - MANIFOLD - EXHAUST - RH.
- 8 3917296 - MANIFOLD - INTAKE
- 9 3877660 - OUTLET WATER
- 10 3917697 - PAN ASSEM. OIL
- 11 3923244 - PUMP - WATER
- 12 1111257 - DISTRIBUTOR ASSEM
- 13 3917618 - COVER - FRONT END
- 14 3861970 - BALANCE ASSEM. - HARMONIC
- 15 3896904 - BALANCER ASSEM. HARMONIC
- 16 3610848 - SPARK PLUG ASSEM. (8)
- 17 3846565 - SUPPORT - ALTERNATOR
- 18 3744409 - CLIP - SPARK PLUG WIRE (8)
- 19 3714477 - UNDERPAN
- 20 3724908 - EXTENSION
- 21 3765922 - FORK - CLUTCH
- 22 3765360 - BOOT
- 23 3925507 - HOUSING - CLUTCH
- 24 3923254 - TUBE ASSEM. OIL FILLER
- 25 3898394 OPT. CAPASSEM - OIL FILLER
- 26 6410315



OBsolete PER MEMO # 219