

EFFECTIVE JAN. 1, 1968

# CHECKER MOTORS CORP. KALAMAZOO, MICH.

MODEL: B-11	CHASSIS	DATE
B-12	B-12 W	1-7-68
B-12 E		

GRAPHIC ILLUSTRATION

ENGINE ASSEM. - AS REQD - STD. TRANS. - 6 CYL. - EXTERNAL PARTS

SHEET NO.

580

DWN. DENKER

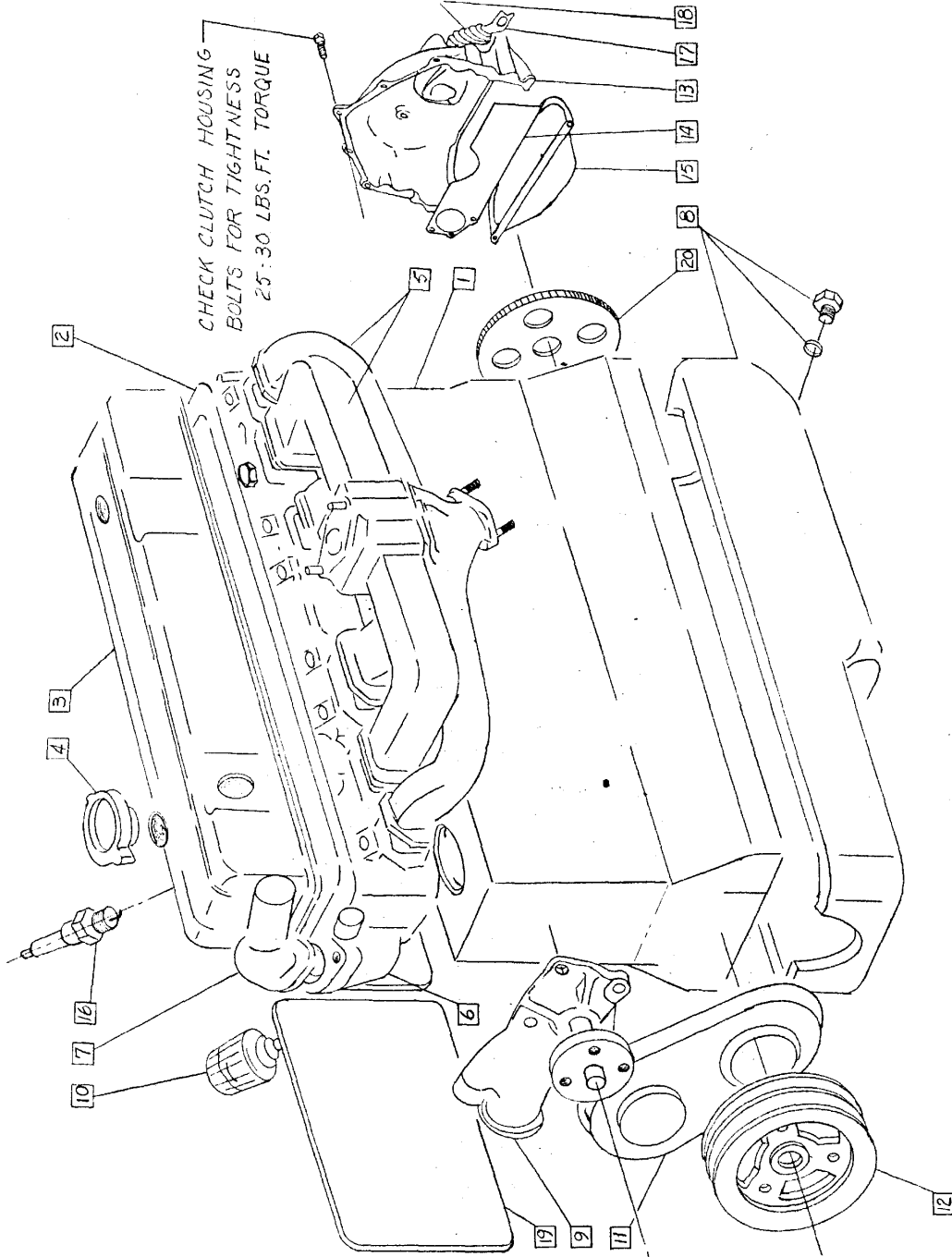
CHN. 22-1-8-68

APPVD.

1. - 3921963 - BLOCK (CYL. & CASE ASSEM.)
2. - 3931068 - HEAD ASSEM. - CYL.
3. - 3923463 - COVER - VALVE ROCKER
4. - 3835665 } CAP - OIL FILLER - OPTIONAL  
6410313 }
5. - 3915936 - MANIFOLD - INT. & EXH.
6. - 3895062 - HOUSING - THERMOSTAT
7. - 3789162 - OUTLET - WATER
8. - 3923449 - FAN ASSEM. - OIL
9. - 3920916 - PUMP ASSEM. - WATER
10. - 1110436 - DISTRIBUTOR ASSEM.
11. - 3923451 - COVER - FRONTEND
12. - 3896590 - BALANCER - HARMONIC
13. - 3923507 - HOUSING - CLUTCH
14. - 3734908 - EXTENSION
15. - 3714477 - UNDERPAN
16. - 3671021 - SPARK PLUG ASSEM. (6)
17. - 3765372 - FORK ASSEM. - CLUTCH
18. - 3765360 - BOOT
19. - 3788496 - COVER - PUSH ROD (2)
20. - 3789731 } FLYWHEEL ASSEM. - OPTIONAL  
3889694 }

REFERENCE:

703030 - ENGINE ASSEM. (AS SHIPPED)  
 CHEVROLET # 3923482



OBSOLETE PER MEMO # 219