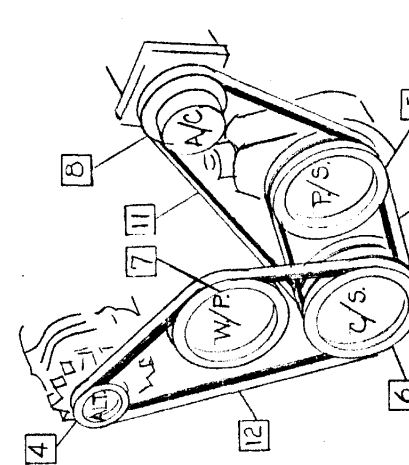
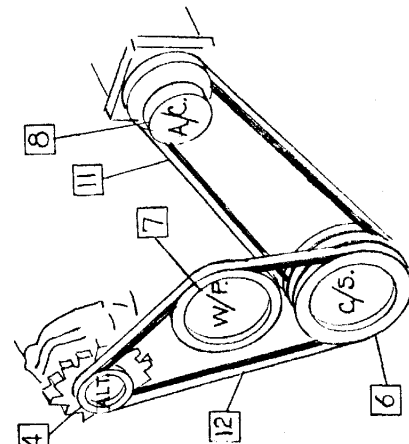
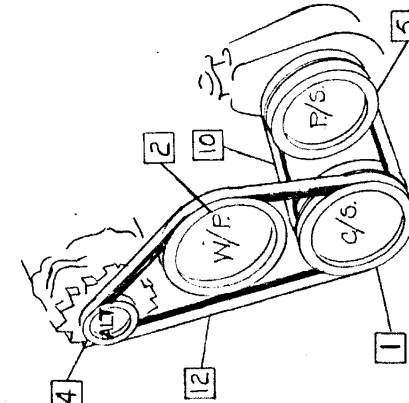
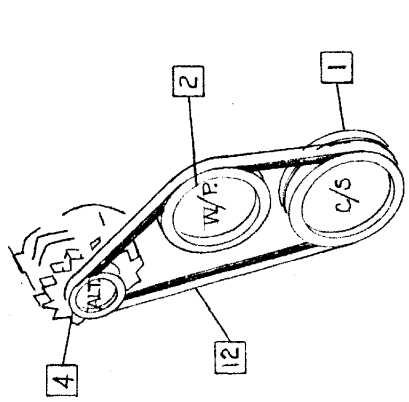
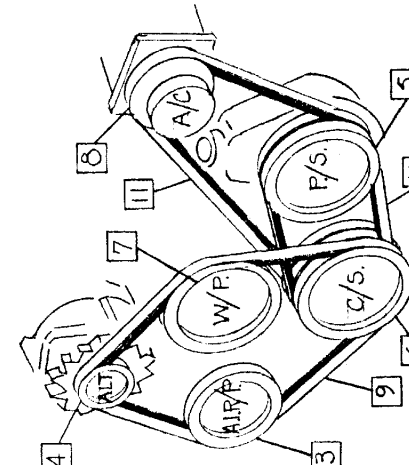
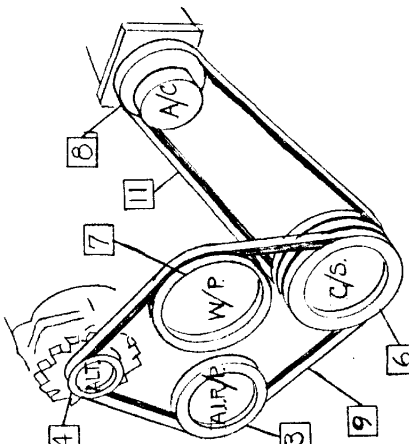
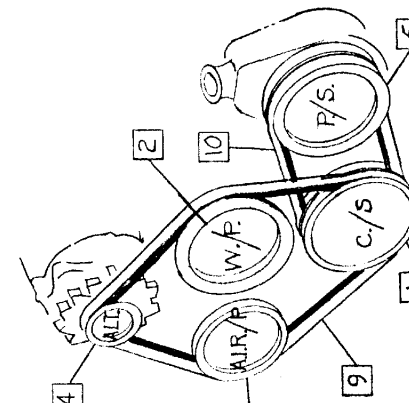
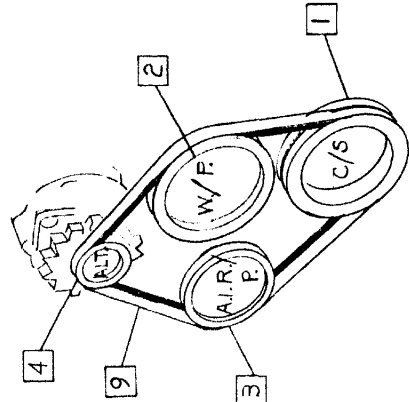


CHECKER MOTORS CORP. KALAMAZOO, MICH.

EFFECTIVE SEPT. 1, 1968

MODEL: B-11 B-12 B-12W	B-11E B-12E CHASSIS	DATE 7-15-68	GRAPHIC ILLUSTRATION BELTS & PULLEYS - 8 CYL.	DWN. DEKKER CHK. <i>[Signature]</i> APPVD.	SHEET NO. 501-A	MODEL YEAR 1969
1. 704496	PULLEY - DOUBLE GROOVE	9. 704499	BELT - 47.50"			CHANGES 4-30-68 703631 WAS 703395
2. 703593	PULLEY - SINGLE GROOVE	10. 704500	BELT - 36"			
3. 704152	PULLEY - SINGLE GROOVE	11. 704501	BELT - 54.33"			
4. 704505	PULLEY - SINGLE GROOVE	12. 704498	BELT - 44.25"			
5. 703394	PULLEY - DOUBLE GROOVE					

STD. TRANS. - WITHOUT POWER STRG.	STD. TRANS. - WITH POWER STRG.	STD. TRANS. - AIR COND. - W/OUT PWR. STRG.	STD. TRANS. - POWER STRG. - AIR COND.
AUTO. TRANS. - WITHOUT POWER STRG.	AUTO. TRANS. WITH POWER STRG.	AUTO. TRANS. - AIR COND. - W/OUT PWR. STRG.	AUTO. TRANS. - POWER STRG. - AIR COND.



Revised 3-2-68 4-1-68

EFFECTIVE JAN. 1, 1968

CHECKER MOTORS CORP. KALAMAZOO, MICH.

MODEL: B-11 B-12 B-12W B-11E B-12E CHASSIS	DATE 1-1-68	GRAPHIC ILLUSTRATION	SHEET NO. 501
		DWN. DEKKER CHK. 8E 7-2-68	
		BELTS & PULLEYS - 8-CYL. APPVD	

**OBSOLETE PER
MEMO #219
SEE G.I. 501-A**

11. Furn. On Comp.
 12. 702185 - Pulley
 13. 702960 & 702109 Reinf.
 14. 98619 - Pulley
 15. 704340 - Belt
 16. 702250 - Belt
 17. 702974 - Belt
 18. 702973 - Belt
 19. 704388 - Belt

