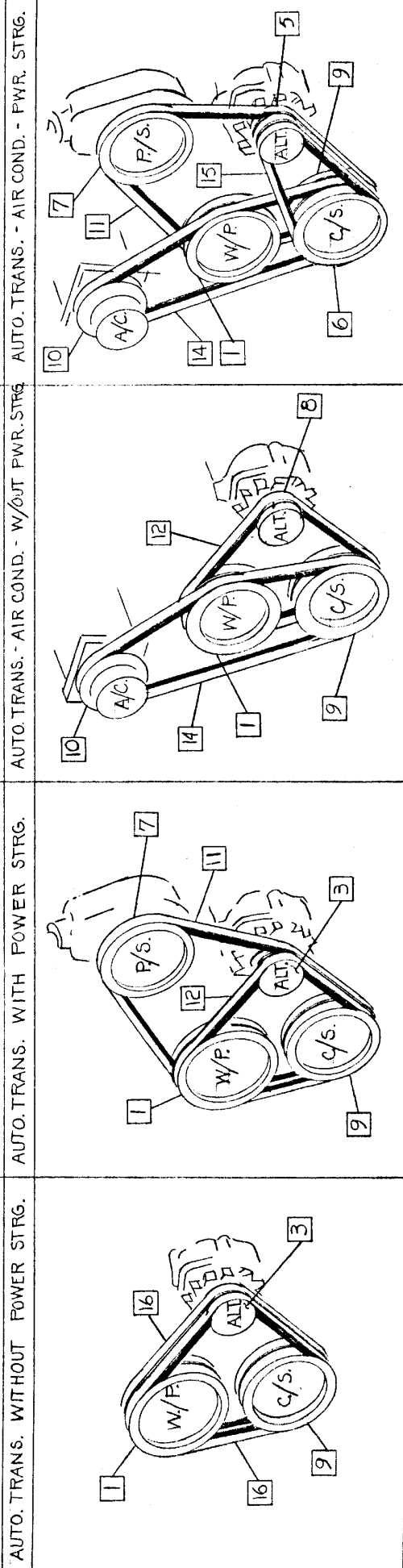
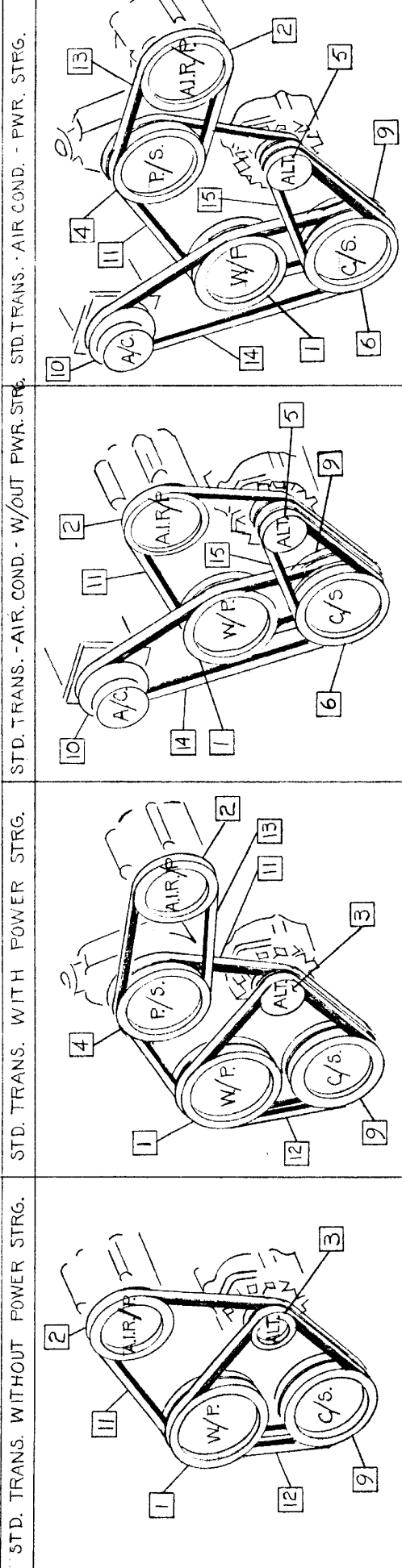


**CHECKER MOTORS CORP. KALAMAZOO, MICH.**

EFFECTIVE SEPT. 1, 1965

<b>MODEL:</b> B-11	B-11E	<b>DATE</b>	7-16-68	<b>GRAPHIC ILLUSTRATION</b>	<b>CHK.</b> <i>[Signature]</i>	<b>SHEET NO.</b>	500-A
B-12	B-12E				<b>DWN.</b> <i>[Signature]</i>		
B-12W	CHASSIS			BELTS & PULLEYS - 6 CYL.	<b>APPVD.</b>	<b>MODEL YEAR</b>	1969

1. 703383	PULLEY - DOUBLE GROOVE	6. 704494	PULLEY - SINGLE GROOVE	11. 704340	BELT - 50"
2. 704152	PULLEY - SINGLE GROOVE	7. 702167	PULLEY - SINGLE GROOVE	12. 702247	BELT - 39"
3. 704506	PULLEY - DOUBLE GROOVE	8. 704506	PULLEY - DOUBLE GROOVE	13. 702886	BELT - 50"
4. 701774	PULLEY - DOUBLE GROOVE	9. FURN. ON ENG.	- DOUBLE GROOVE	14. 704501	BELT - 54.53"
5. 704507	PULLEY - TRIPLE GROOVE	10. FURN. ON COMP.	- SINGLE GROOVE	15. 704503	BELT - 31.5"
				16. 701481 - MATCHED SET.	



CHECKER MOTORS CORP. KALAMAZOO, MICH.

EFFECTIVE JAN. 1, 1968

500

SHEET NO

DWN KE8  
CHK. DE 7-2-68

GRAPHIC ILLUSTRATION

DATE  
1-1-68

APPVD

BELTS & PULLEYS - 6 CYL.

OBSOLETE  
PER MEMO 219 SEE G.I. 500A

- 11. 97639 - Pulley
- 12. 704340 - Belt
- 13. 702247 - Belt
- 14. 702886 - Belt
- 15. 702159 - Belt
- 16. 701481 - Matched Set (2)
- 17. 702168 - Pulley

- 1. Furn. On Engine
- 2. 702244 - Pulley
- 3. 701733 - Pulley
- 4. 701774 - Pulley
- 5. 702167 - Pulley
- 6. 704152 - Pulley
- 7. 702256 - Pulley
- 8. 702169 - Pulley
- 9. 702215 - Pulley
- 10. 701228 - Pulley

STD. TRANS. WITH POWER STRG.	STD. TRANS. WITHOUT POWER STRG.	STD. TRANS. - AIR COND. WITHOUT PWR. STRG.	STD. TRANS. - AIR COND. - PWR. STRG.

AUTO. TRANS. - AIR COND. - PWR. STRG.

AUTO. TRANS. - AIR COND. WITHOUT PWR. STRG.

AUTO. TRANS. WITHOUT PWR. STRG.

AUTO. TRANS. WITH PWR. STRG.