

CHECKER MOTORS CORP. KALAMAZOO, MICH.

MODEL: B-II B-12 B-12W6  
 B-11E B-12W B-12W8  
 B-12E CHASSIS

DATE

GRAPHIC ILLUSTRATION

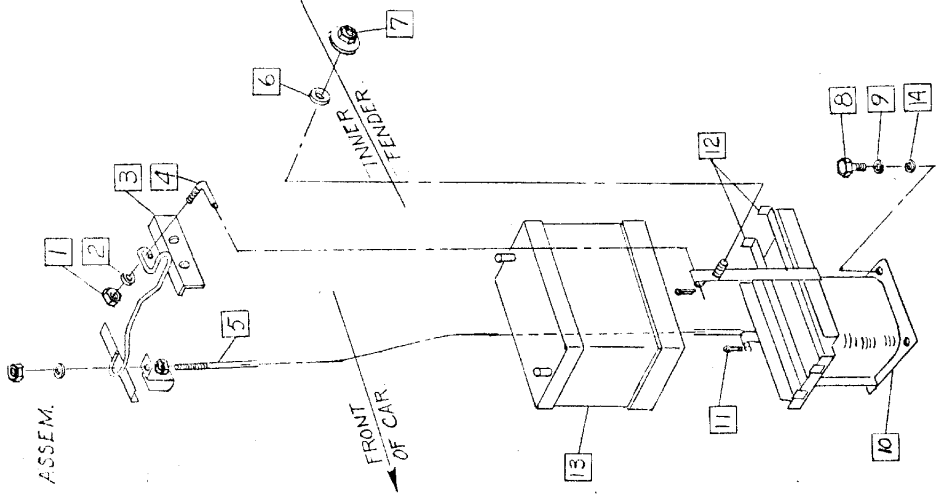
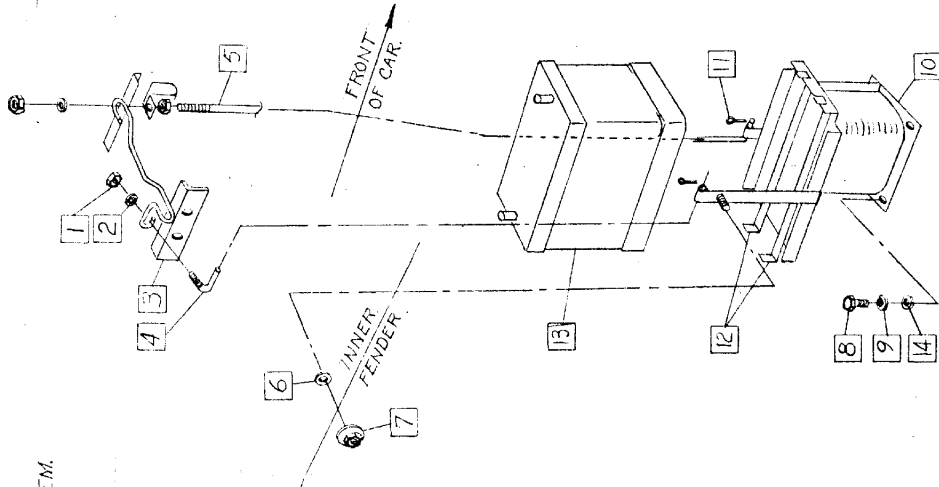
DWN. DENNER  
 CHK. 2-7-68

SHEET NO. 485

BATTERY INSTALLATION - FRONT MOUNTED

1. 120368 NUT (2)
2. 446363 WASHER (2)
3. 701909 HOLD-DOWN ASSEM.
4. 704059 ROD
5. 94489 ROD
6. 626625 WASHER
7. 626492 NUT, WASHER & SEALER ASSEM.
8. 181666 BOLT (4)
9. 120383 L.W. (4)
10. 701892 SUPPORT ASSEM.
11. 103373 COTTER PIN (2)
12. { 702679 - 50 A. } CLEAT (2)
- { 94670 - 75 A. }
- { 94555 - 80 A. }
- { 94555 - 90 A. }
13. { 701520 - 50 A. } BATTERY
- { 97478 - 75 A. }
- { 701992 - 80 A. }
- { 95370 - 90 A. }
- { 97456 - 90 A. }
14. 120388 WASHER (4)

1. 120368 NUT (2)
2. 446363 WASHER (2)
3. 701909 HOLD-DOWN ASSEM.
4. 704059 ROD
5. 94489 ROD
6. 626625 WASHER
7. 626492 NUT, WASHER & SEALER ASSEM.
8. 181666 BOLT (4)
9. 120383 L.W. (4)
10. 701892 SUPPORT ASSEM.
11. 121222 COTTER PIN (2)
12. { 702679 - 50 A. } CLEAT (2)
- { 94670 - 75 A. }
- { 94555 - 80 A. }
- { 94555 - 90 A. }
13. { 701520 - 50 A. } BATTERY
- { 97478 - 75 A. }
- { 701992 - 80 A. }
- { 95370 - 90 A. }
- { 97456 - 90 A. }
14. 120388 WASHER (4)



THIS SIDE  
 OBSOLETE PER  
 MEMO # 219  
 V-8 + 6 CYL.  
 SAME MTG.

- RIGHT SIDE

8 CYL. - LEFT SIDE

121222 WAS 103373  
 CHANGE'S