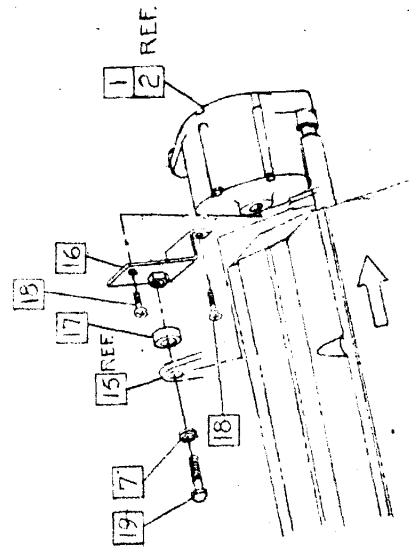
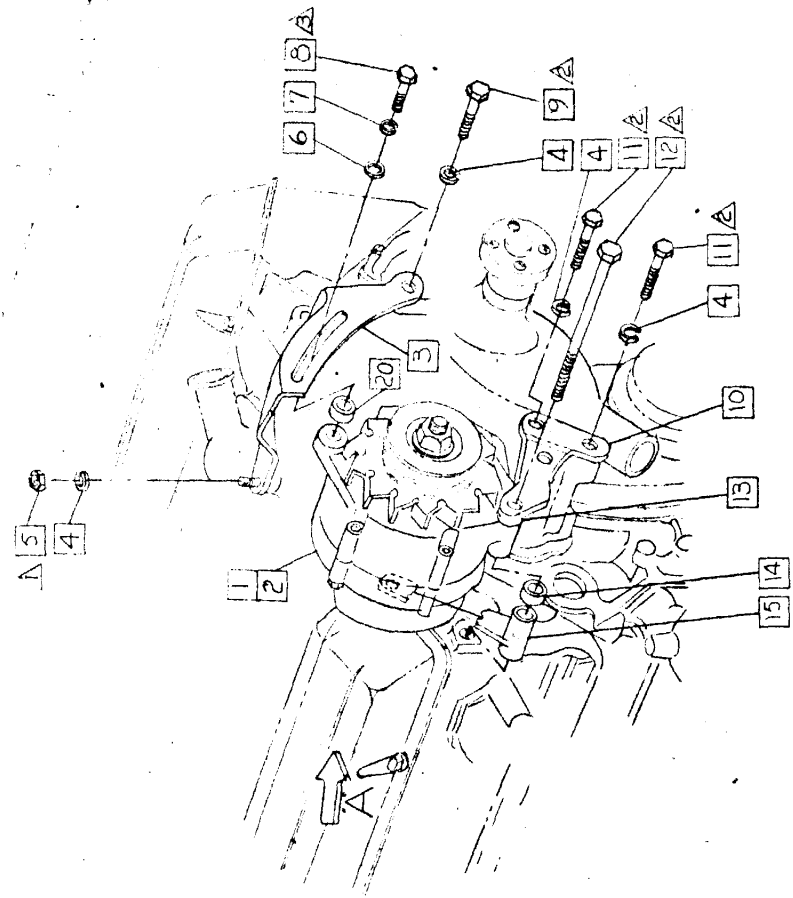


1-10-69 10-22-68

CHECKER MOTORS CORP. KALAMAZOO, MICH.		EFFECTIVE PER MEMO # 219	
MODEL: B-11 B-11E	DATE: 8-13-65	DWN. LEXKER	SHEET NO. 467-A
B-12 B-12E	B-12W CHASSIS	CHK. 8-13-65	
GRAPHIC ILLUSTRATION		APPVD. MODEL YEAR 1969	
ALTERNATOR INSTALLATION 307 & 350 V-0			

1. 703396 ALTERNATOR ASSEM.
2. 703397 ALTERNATOR ASSEM. - H.D.
3. 704527 BRACE - FRONT (FURN IN KIT)
4. 120382 L.W. $\frac{3}{8}$ MED. SFR. (4)
5. 120377 NUT $\frac{3}{8}$ - 16 HEX.
6. 120393 WASHER $\frac{1}{32}$ I.D. $\times \frac{1}{16}$ O.D.
7. 120214 L.W. $\frac{5}{16}$ MED. SFR. (5)
8. 180077 BOLT $\frac{3}{8}$ - 15 $\times \frac{3}{4}$ HEX.
9. 454904 BOLT $\frac{3}{8}$ - 16 $\times \frac{3}{4}$ HEX.
10. 704526 BRACKET (FURN IN KIT)
11. 180122 BOLT $\frac{3}{8}$ 16 - 1 HD. (2)
12. 704550 BOLT $\frac{3}{8}$ - 16 - 6 HEX. (FURN IN KIT)
13. 702419 ADAPTER
14. 702419 SPACER
15. 703412 BRACE ASSEM.
16. 703417 BRACKET ASSEM.
17. 704535 SPACER (USE WITH STD. ALTERNATOR ONLY)
18. 274103 SCREW $\frac{1}{4}$ - 18 $\times \frac{3}{8}$
19. 273890 SCREW $\frac{1}{16}$ - 18 $\times \frac{3}{8}$
20. 702262 WASHER $\frac{1}{32}$ I.D. $\times \frac{3}{4}$ O.D. $\times \frac{1}{8}$

18-22 LBS. FT. TORQUE
 20-30 LBS. FT. TORQUE
 1/10-140 LBS. FT. TORQUE



VIEW IN DIRECTION OF ARROW 'A'

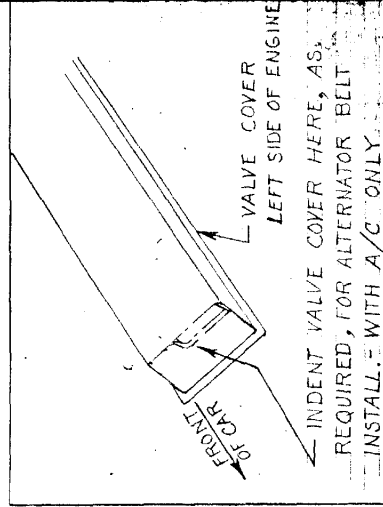
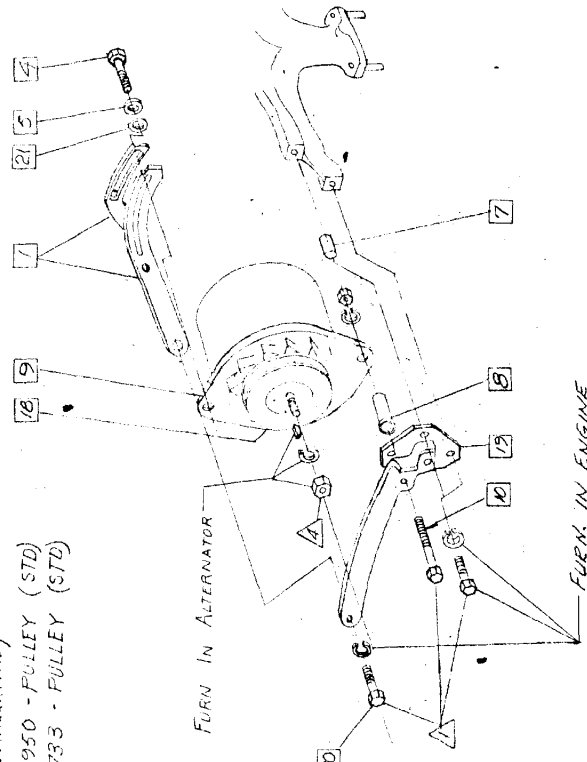
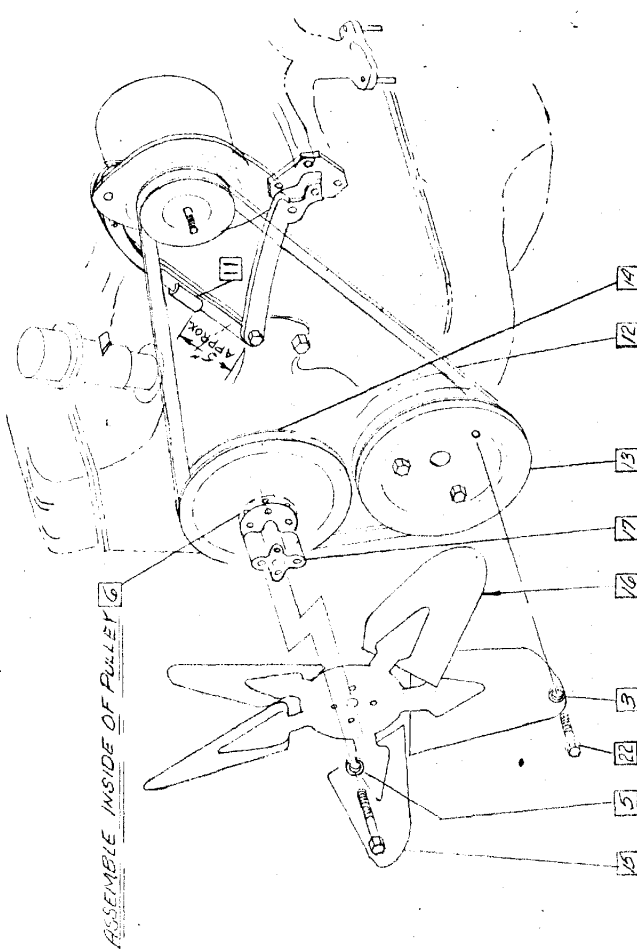
REVISED - 2-7-66 / 3-2-66 / 3-30-66 / 4-19-66 / 4-30-66 / 5-23-66

EFFECTIVE JAN 1 1968

CHECKER MOTORS CORP. KALAMAZOO, MICH.

MODEL: B-12 B-12E CHASSIS	DATE 1-1-68	GRAPHIC ILLUSTRATION	SHEET NO. 467
APPROVED		CHK. BY 1-4-68	DWN. BY 1-4-68
ALTERNATOR - 8-CYL. - 307 CU. IN. & HI-PENT.			

- 1 704333 BEARER (2)
- 2 420502-LW (4)
- 3 150081-SCREEN
- 4 20214-LW (5)
- 5 702109-REINF
- 6 704297-SPACER
- 7 702418-ADAPTER
- 8 701159-ALT. STD.
- 9 201120-ALT. RD.
- 10 420502-BATT. 120359-NOT 120358 4W
- 11 704444-INSULATOR - UPPER RAD. HOSE TO AIR BRACE (TAPE TO BRACE)
- 12 704388-BELT (SEE VIEW 'A' FOR INSTALLATION)
- 13 702185-PULLEY - (AUTO ONLY) 702950-PULLEY (STD)
- 14 702960-PULLEY - (AUTO ONLY) 701733-PULLEY (STD)
- 15 181685-BOLT (4)
- 16 701224-FAN
- 17 702108-SPACER
- 18 96619-PULLEY
- 19 703111-BEARRET
- 20 454907-BOLT
- 21 626322-WASHER (PLAIN)
- 22 181629-BOLT (3)



- 1 - 20-30 LBS. FT.
- 2 - 16-20 LBS. FT.
- 3 - 20-25 LBS. FT.
- 4 - 40-50 LBS. FT.

OBSOLETE PER MEMO # 219 SEE G.I. 467-A

VIEW 'A'

INDENT VALVE COVER HERE, AS REQUIRED, FOR ALTERNATOR BELT INSTALL. WITH A/C ONLY.