

CHECKER MOTORS CORP. KALAMAZOO, MICH.

EFFECTIVE PER MEMO #219

DWN. DEKKER
CHK. 10

SHEET NO. 443

GRAPHIC ILLUSTRATION

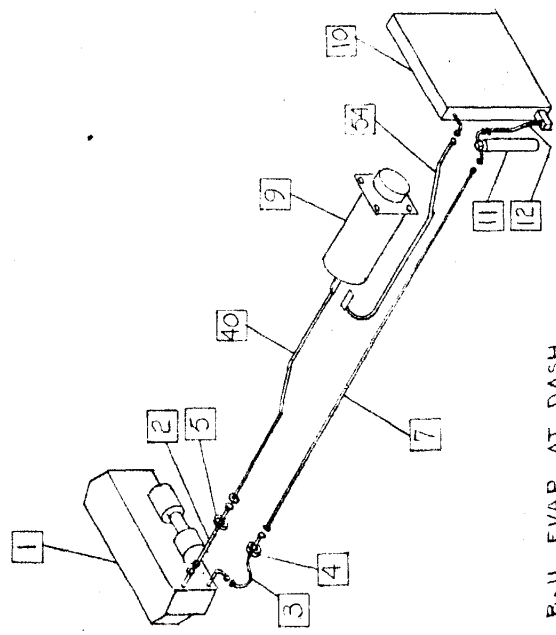
DATE

9-18-66

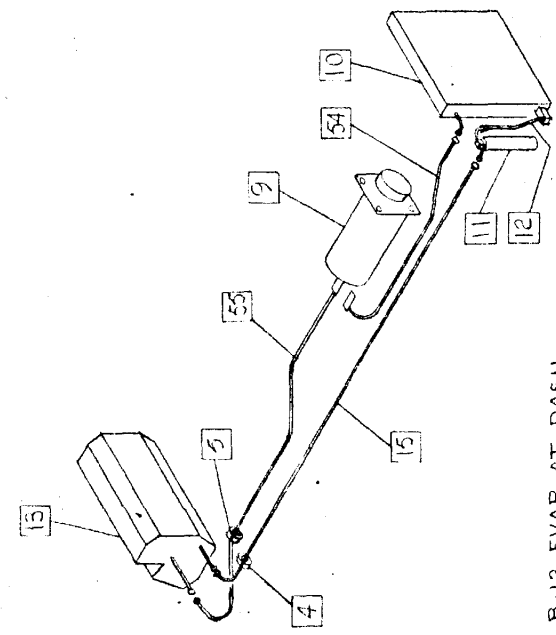
MODEL: B-11
B-12
B-12W

B-11E
B-12E

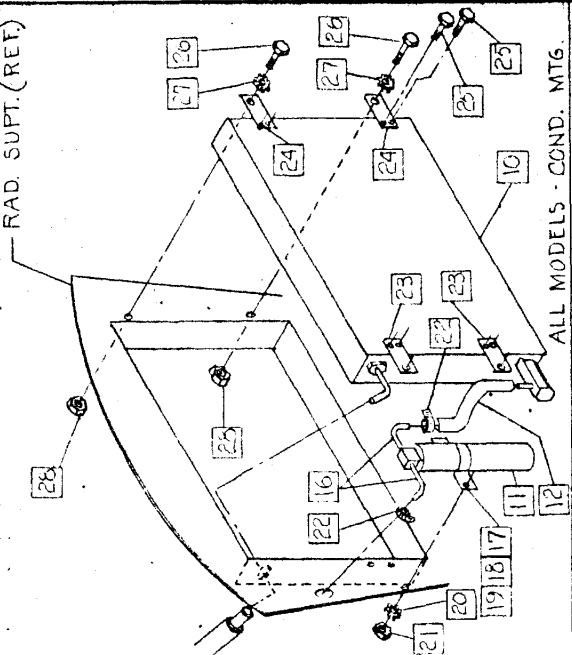
HOSES - AIR COND. - 250 CU. IN. 6 CYL. (FRIGIDAIRE) APPVD. MODEL YEAR 1969.



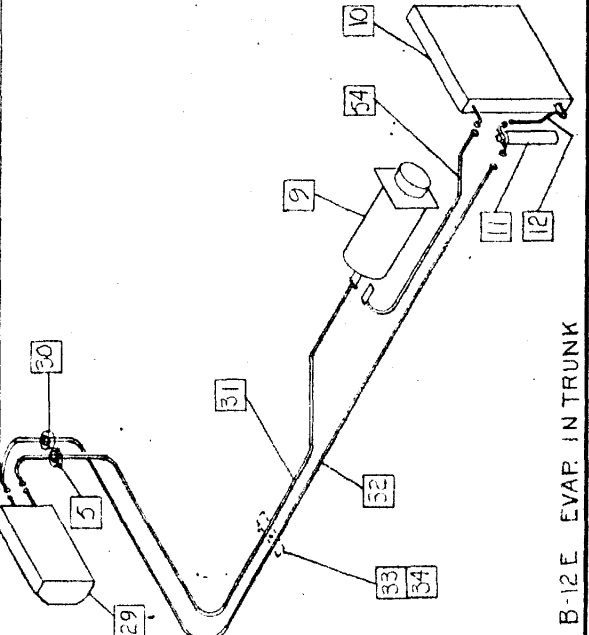
B-11 EVAP. AT DASH



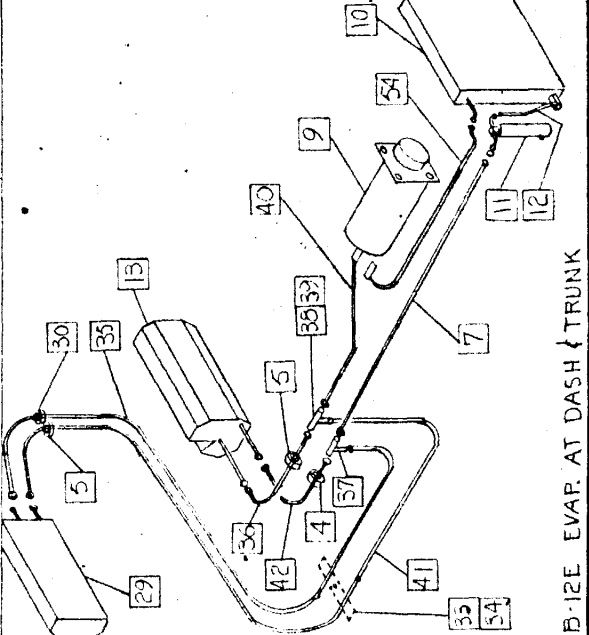
B-12 EVAP. AT DASH



ALL MODELS - COND. MTG.



B-12E EVAP. IN TRUNK



B-12E EVAP. AT DASH & TRUNK

SEE G.I. NO. 444-A
FOR PART NO.'S