

CHECKER MOTORS CORP. KALAMAZOO, MICH.

EFFECTIVE PER MEMO 219

DWN DEKKER  
CHK. JONES

SHEET NO. 455-A

DATE

9-23-65

GRAPHIC ILLUSTRATION

A.I.R. VALVES AND HOSES

MODEL: B-11

B-11E

B-12E

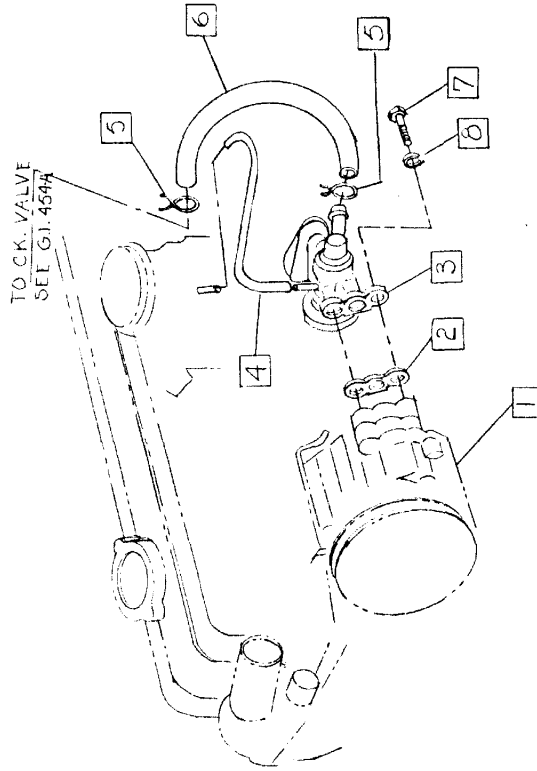
B-12W

MODEL YEAR 1962

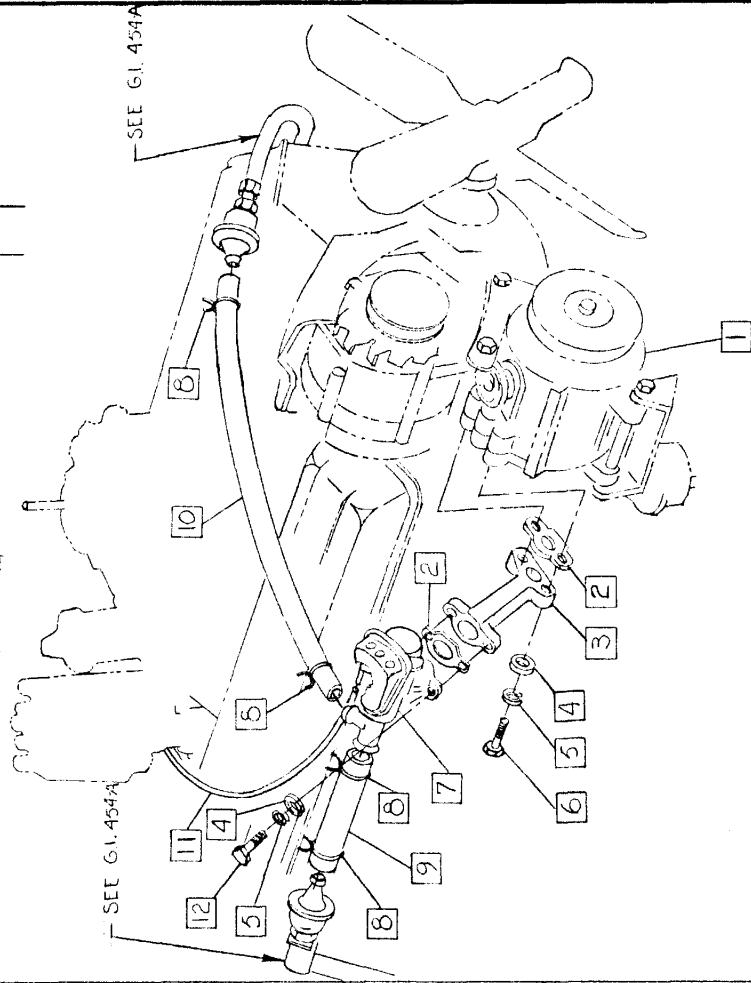
APPVD.

1. 703291 PUMP ASSEM. - A.I.R.
2. 704491 GASKET (2)
3. 704533 ELBOW
4. 120392 WASHER  $\frac{1}{32}$  I.D. x  $\frac{5}{16}$  O.D. (4)
5. 120350 L.W.  $\frac{1}{4}$  MED. SPR. (4)
6. 121857 BOLT  $\frac{1}{4}$  - 20 x  $\frac{3}{4}$  HEX. (2)
7. 703293 VALVE ASSEM. - DIVERTER - 327 V-6
8. 92518 CLAMP (4)
9. 704436 HOSE - R.H.
10. 704435 HOSE - L.H.
11. 704440 HOSE - DIVERTER VALVE TO CARB.
12. 121857 BOLT  $\frac{1}{4}$  - 20 x  $\frac{3}{4}$  HEX.

1. 703291 PUMP ASSEM. - A.I.R.
2. 704491 GASKET
3. 703292 DIVERTER VALVE ASSEM.
4. 702942 HOSE - DIVERTER VALVE TO CARB.
5. 92518 CLAMP (2)
6. 704273 HOSE - DIVERTER VALVE TO EXH. GAS COMB. CHECK VALVE
7. 120654 BOLT  $\frac{1}{4}$  - 20 x  $\frac{5}{16}$  HEX. (2)
8. 120360 L.W.  $\frac{1}{4}$  MED. SPR. (2)



250 CU. IN. 6 CYL.



327 & 350 CU. IN. V-8

CHANGES

12-12-65 121857 WAS 121900

CHECKER MOTORS CORP. KALAMAZOO, MICH.

EFFECTIVE JAN. 1, 1966

GRAPHIC ILLUSTRATION

DWN. DEKES  
CHK. *AK* 2-23-66

SHEET NO. 455

APPVD.

MODEL: B-11 B-11E CHASSIS  
B-12 B-12E  
B-12W B-12W

DATE  
2-24-66

A. I. R. VALVES AND HOSES

1. 703156 PUMP ASSEM. - A. I. R.
2. 704155 GASKET
3. 703177 SILENCER ASSEM.
4. 703127 DIVERTER VALVE ASSEM.
5. 702942 HOSE
6. 92818 CLAMP (2)
7. 704273 HOSE
8. 120380 L. W. (2)
9. 120854 BOLT (2)

6 CYL.

1. 703136 PUMP ASSEM. - A. I. R.
2. 704155 GASKET
3. 703177 SILENCER ASSEM.
4. 703128 DIVERTER VALVE ASSEM.
5. 704275 HOSE
6. 92818 CLAMP (4)
7. 704277 HOSE - DIVERTER TO CARB.
8. 704276 HOSE
9. 120854 BOLT (2)
10. 120380 L. W. (2)

307 V-8

