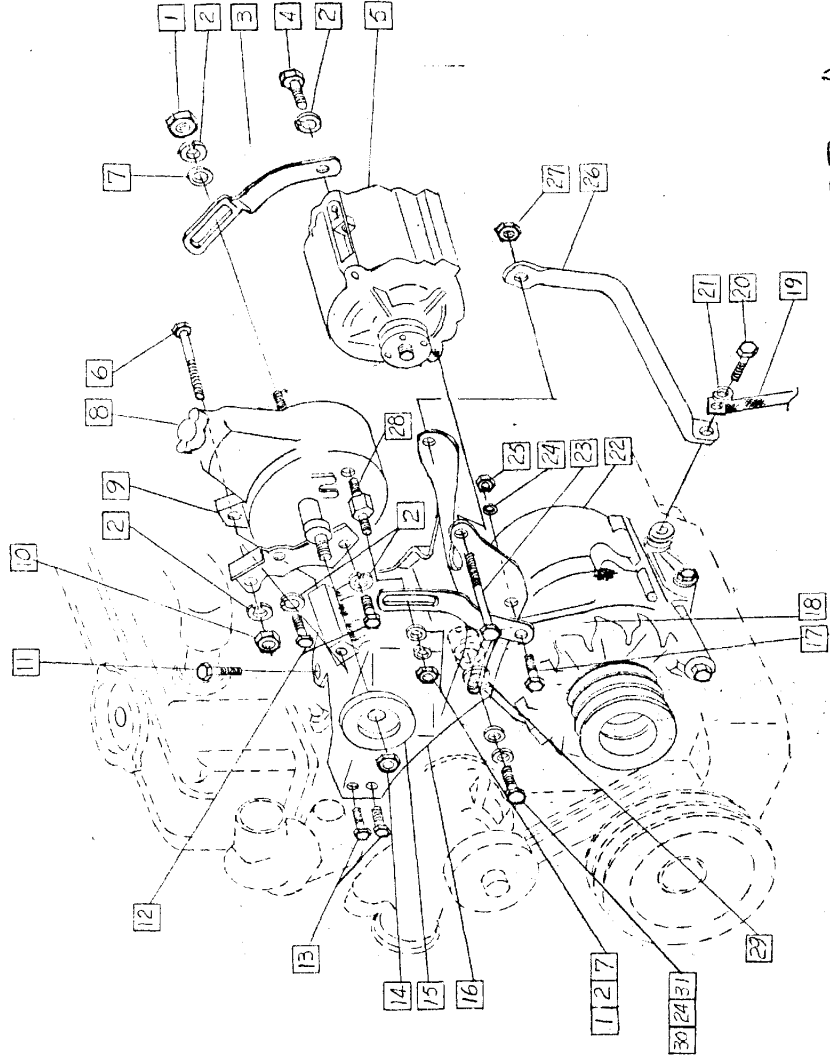


CHECKER MOTORS CORP. KALAMAZOO, MICH.

MODEL: A-11 A-12	CHASSIS A-11E A-12W A-12E	DATE 1-24-68	GRAPHIC ILLUSTRATION	SHEET NO. 453
			DWN. DEPPER CHK. BY 1-26-68	
			APPVD.	
A.I.R. PUMP WITH POWER STEERING - 6 CYL. - STD. TRANS.				

1. 120377 NUT (2)
2. 120382 L.W. (6)
3. 704156 BRACE (FURN. IN KIT)
4. 180122 BOLT
5. 703136 A.I.R. PUMP ASSEM.
6. 189330 BOLT
7. 120394 WASHER (2)
8. 703167 P/S PUMP
9. 702710 BRKT.
10. 120369 NUT
11. 702622 BOLT (FURN. IN KIT)
12. 122104 BOLT (2)
13. 9418823 BOLT (2)
14. 702170 NUT (FURN. IN KIT)
15. 701774 PULLEY (FURN. IN KIT)
16. 703062 BRKT. ASSEM. (FURN. IN KIT)
17. 180077 BOLT
18. 702962 BRACE
19. 95284 STRAP (GR)
20. 180126 BOLT
21. 178551 L.W.
22. ALTERNATOR - REF.
23. 704153 BOLT (FURN. IN KIT)
24. 120214 L.W. (2)
25. 120376 NUT
26. 704157 BRACE (FURN. IN KIT)
27. 9422297 NUT (FURN. IN KIT)
28. 702961 STUD (FURN. IN KIT)
29. 702262 WASHER - $\frac{3}{8}$ O.D. * $\frac{1}{8}$ THICK
(USED AS SPACER)
30. 180079 BOLT - $\frac{5}{16}$ - 18 x 1 HEX. HD.
31. 626322 WASHER - $\frac{3}{8}$ I.D. * $\frac{1}{8}$ O.D. * $\frac{1}{8}$ THICK



OBsolete PER MEMO # 219 SEE G.I. 453-A

CHECKER MOTORS CORP. KALAMAZOO, MICH.

EFFECTIVE SEPT. 1, 1965

DWN. DERKER
CHK. K-109068

SHEET NO. 453-A

APPVD. MODEL YEAR 1969

GRAPHIC ILLUSTRATION

A.I.R. PUMP - 6 CYL. STD. TRAN. WITH P/S

DATE

9-10-68

B-11E

B-12E

MODEL: B-11

B-12

B-12W

1. 703291 PUMP ASSEM. A.I.R.
2. 180122 BOLT $\frac{3}{8}$ -16 x 1 HEX.
5. 120382 L.W. $\frac{3}{8}$ MED. SPR.
4. 704156 BRACE - A.I.R. PUMP TO P/S PUMP (FURN IN KIT)
5. 703062 BRACKET ASSEM. - A.I.R. PUMP & P/S PUMP (FURN IN KIT)
6. 702962 BRACE (FURN. IN P/S KIT)
7. 702622 BOLT $\frac{3}{8}$ -16 x $\frac{5}{8}$ HEX. WASHER (FURN. IN KIT)
8. 9418623 BOLT $\frac{3}{8}$ -16 x 1 $\frac{1}{8}$ HEX (2)
9. 180079 BOLT $\frac{5}{16}$ -18 x 1 HEX.
10. 120214 L.W. $\frac{5}{16}$ MED. SPR.
11. 120393 WASHER $\frac{1}{32}$ I.D. x $\frac{1}{16}$ O.D.
12. 180077 BOLT $\frac{5}{16}$ -18 x $\frac{3}{4}$ HEX.
13. 120376 NUT $\frac{5}{16}$ -18 HEX.
4. 704153 BOLT $\frac{3}{8}$ -16 x 5 HEX. (FURN. IN KIT)
15. 9422297 NUT $\frac{3}{8}$ -16 HEX. LOCK
16. 704157 BRACE - A.I.R. PUMP FIXED
17. 180126 BOLT $\frac{3}{8}$ -16 x 1 $\frac{1}{2}$ HEX.
18. 178551 L.W. $\frac{3}{8}$ INT. EXT.
19. 95284 STRAP - ENG. TO FRAME GRD.

