

1-2-68

CHECKER MOTORS CORP. KALAMAZOO, MICH.

EFFECTIVE MEMO # 219

MODEL:	DATE
B-11	B-11E
B-12	B-12E
B-12W	CHASSIS

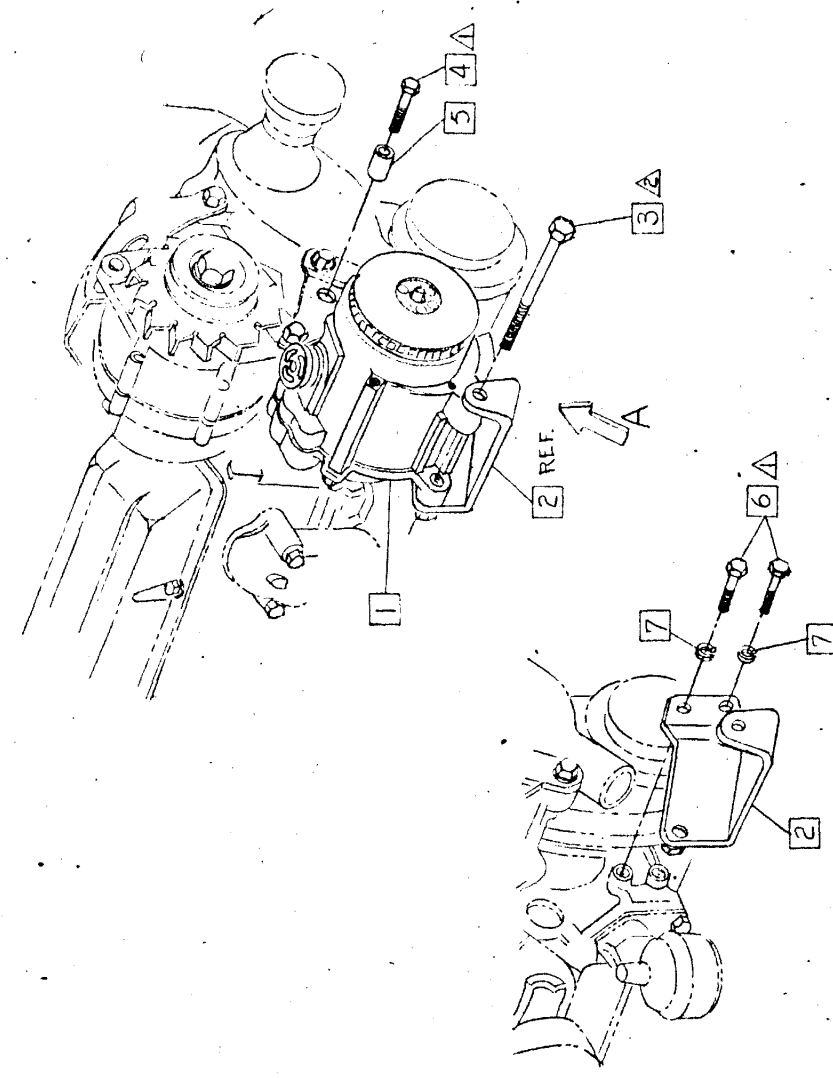
GRAPHIC ILLUSTRATION  
A.I.R. PUMP MOUNTING - 327 & 350 AEROBUS

DWN. DEKKER  
CHK. DE 8-5-68  
APPVD.

SHEET NO. 457-A

- 1. 703291 A.I.R. PUMP
- 2. 703410 BRACKET ASSEM. (FURN. IN KIT)
- \*3. 704153 BOLT  $\frac{3}{8}$ -16 x 5
- 4. 186679 BOLT  $\frac{3}{8}$ -16 x 1 1/4
- 5. 704534 SPACER (FURN IN KIT)
- 6. 180122 BOLT  $\frac{3}{8}$ -16 x 1 (2)
- 7. 120582 L.W.  $\frac{3}{8}$  MED. SPR. (2)

CHANGE'S  
1-15-68 ITEM 3 WAS 454497



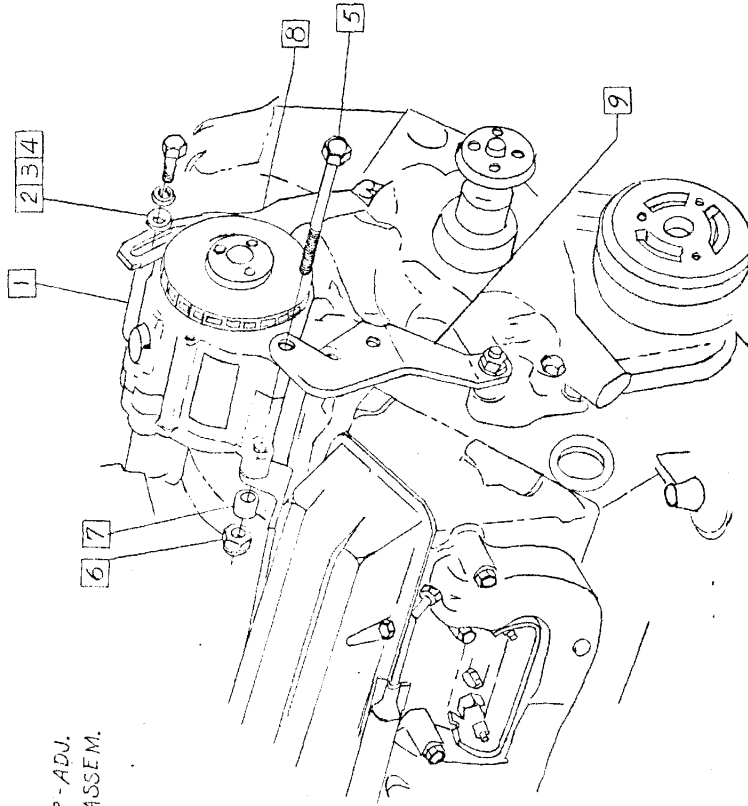
▲ 20-30 LBS. FT. TORQUE  
▲ 15-20 LBS. FT. TORQUE

CHECKER MOTORS CORP. KALAMAZOO, MICH.

EFFECTIVE JAN. 1, 1968

MODEL: B-11 B-11E	DATE	DWN. DENKER	SHEET NO.
B-12 B-12W	2-2-68	CHK. RCF P-28-68	457
CHASSIS B-12E		APPVD.	
A.I.R. PUMP INSTALLATION - V-8		307 CU. IN. ENG.	

- 1 703156 - PUMP ASSEM. - A.I.R.
- 2 120394 - FLAIN WASHER
- 3 120382 - LOCK WASHER
- 4 160122 - BOLT
- 5 702909 - BOLT
- 6 9422297 - NUT
- 7 702959 - SPACER
- 8 704116 - BRACE - A.I.R PUMP - ADJ.
- 9 SUPPORT- PART OF ENGINE ASSEM.



OBSOLETE PER MEMO # 219 - SEE G.I. 457-A