

REVISED - 2-6-68

EFFECTIVE JAN. 1, 1968

CHECKER MOTORS CORP. KALAMAZOO, MICH.

MODEL: A-12W

GRAPHIC ILLUSTRATION

DATE: 1-18-68

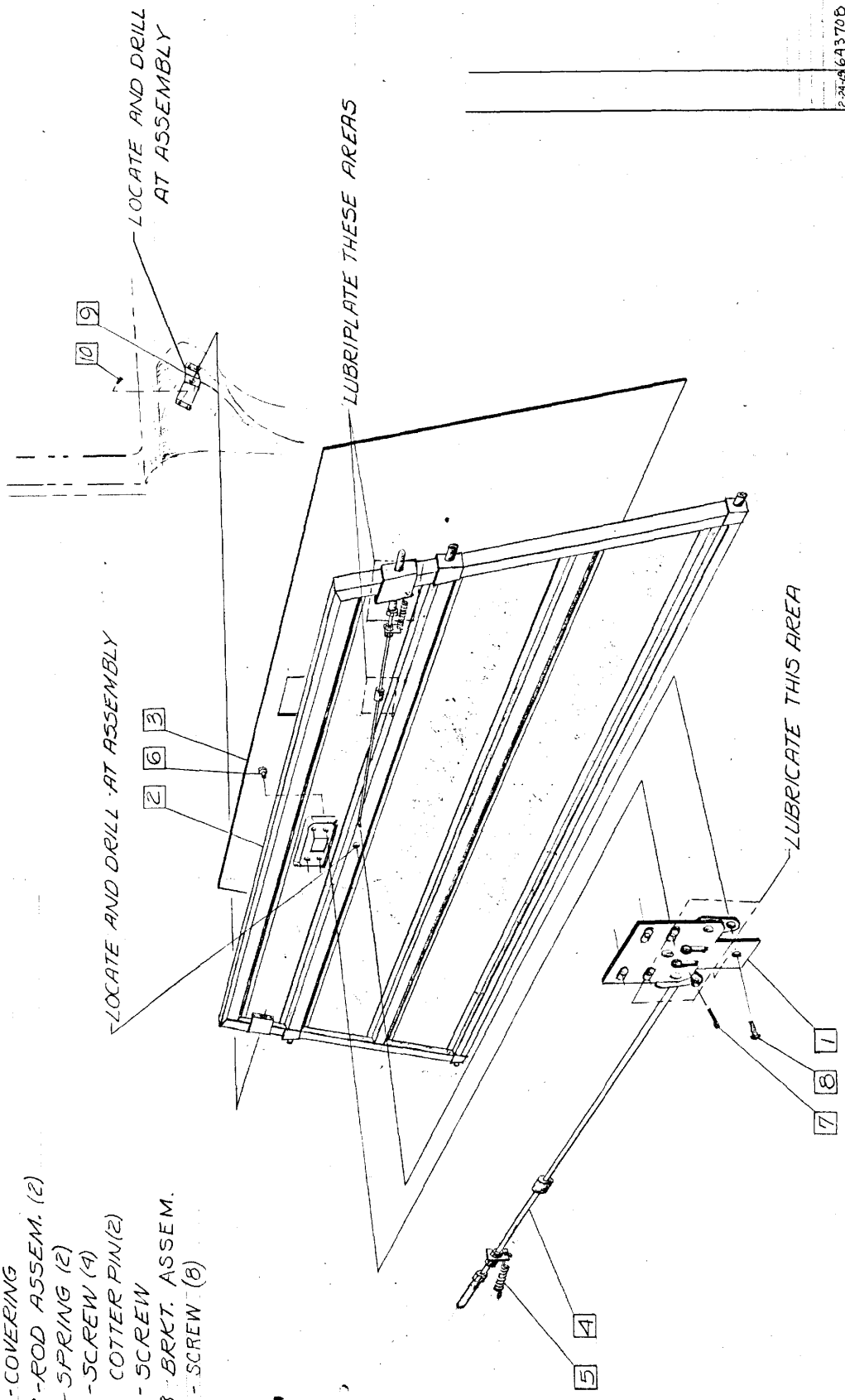
SHEET NO. 703

DWN. DESK. CHN. RE. 1-18-68

REAR SEAT BACK LOCK

APPVD.

- 1 643622 - PLATE ASSEM.
- 2 643620 - PANEL ASSEM.
- 3 644720 - COVERING
- 4 643623 - ROD ASSEM. (2)
- 5 94109 - SPRING (2)
- 6 273513 - SCREW (4)
- 7 112726 - COTTER PIN (2)
- 8 161895 - SCREW
- 9 643708 - BRKT. ASSEM.
- 10 163158 - SCREW (8)



2-24-68 643708 WAS 644723
 112726 WAS 103361
 CHANGE 5