

REVISED + REDESIGNED 3-23-60/11-1-60

CHECKER MOTORS CORP. KALAMAZOO, MICH.

EFFECTIVE JAN. 1, 1968

MODEL: A-11 A-11E BODY DATE

3-23-68

GRAPHIC ILLUSTRATION

SEAT CUSHION - FRONT AND CENTER

DWN. DEKKER
CHK. GAO

SHEET NO. 697

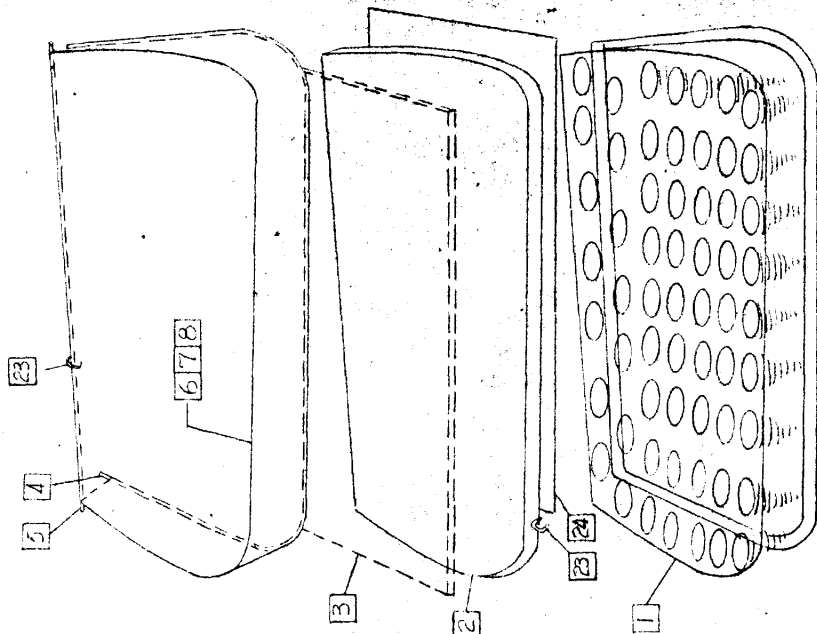
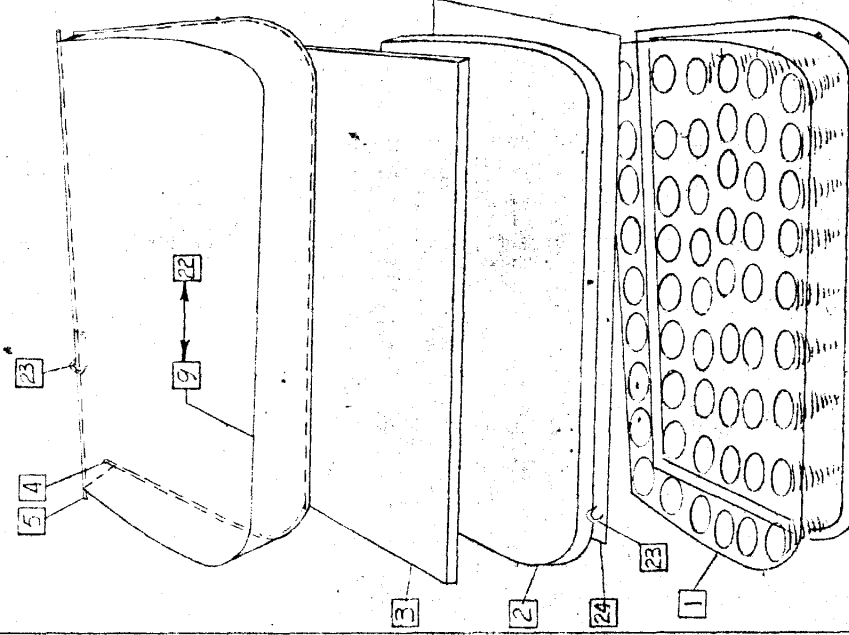
APPVD.

QTY	DESCRIPTION	A-11	A-11E	A-12W	A-12WB	A-12W6	A-12WB8	A-12E VINYL & CLOTH LIMO.
1	SPRING ASSEM.	1	1	2	3	1	1	
2	PAD	1	1	2	3	1	1	
3	COTTON	1	1	2	3	1	1	
4	WIRE	1	1	2	3	1	1	
5	COVER	1	1	2	3	1	1	
6	639419							
7	639637-CENTER ONLY			1	2			
8	643616-(FRONT ONLY)			1	1			
9	641370 GRAY							SELECT ONE
10	641373 BLUE							SELECT ONE
11	645374 BLACK							
12	643391 RED							
13	641371 GREEN							
14	641372 BROWN							
15	641374 DK. GRAY							
16	645087 BROWN							
17	645088 BLUE							
18	645089 RED							
19	645085 GRAY							
20	645086 GREEN							
21	641663 LT. GRAY							
22	641058 BLACK							
23	HOG RINGS	79	79	158	237	79	79	
24	BURLAP WIRE	1	1	2	3	1	1	

NOTE: HOG RING INSULATOR (24) TO SPRING (1) AND GLUE PAD (2) TO INSULATOR.

* USED ONLY WHEN DK. GRAY TRIM IS USED

** NOT USED WHEN VINYL WITH WOODGRAIN IS USED



A-12 A-12W A-12E

A-11 A-11E A-12W6 A-12WB8