

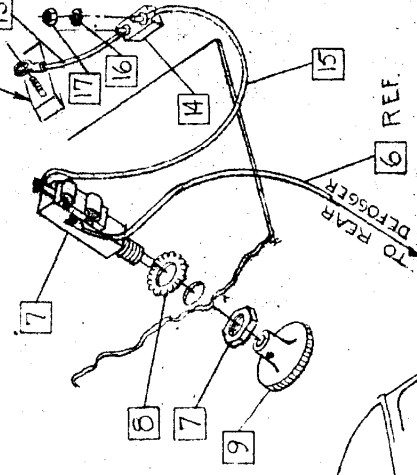
CHECKER MOTORS CORP. KALAMAZOO, MICH.

EFFECTIVE SEPT. 1, 1968

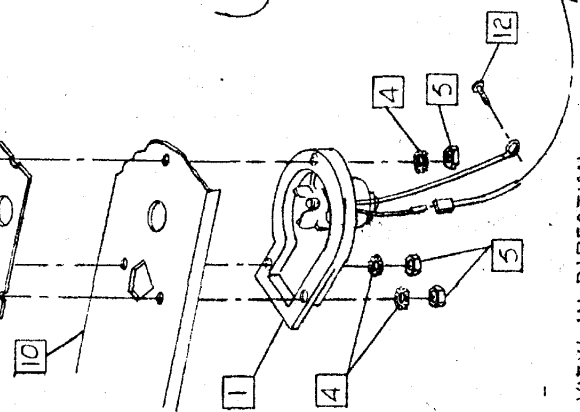
MODEL: A-12	DATE: 12-4-68	GRAPHIC ILLUSTRATION	DWN. DEKER	SHEET NO. 625-A
A-12 E		REAR WINDOW DEFOGGER INSTALLATION (PASS. CAR)	CHK. BY 1-9-69	
			APPVD.	MODEL YEAR 1968, 1969

- |           |                                      |     |        |                                    |
|-----------|--------------------------------------|-----|--------|------------------------------------|
| 1. 645664 | BLOWER ASSEM. - REAR WINDOW DEFOGGER | 9.  | 631960 | KNOB & SCREW                       |
| 2. 645665 | GRILLE ASSEM. - AIR OUTLET           | 10. | 644490 | PANEL - SHELF TRIM - REAR DEFOGGER |
| 3. 644488 | COVER - HOLE TRIM                    | 11. | 80361  | CLIP - 3/8 TUBE (2)                |
| 4. 138479 | L.W. #10 EXT. TOOTH (3)              | 12. | 626456 | SCREW & WASHER ASSEM. #8 x 3/4 (3) |
| 5. 120361 | NUT #10-24 HEX. (3)                  | 13. | 635279 | LEAD ASSEM. - RELAY CLUSTER        |
| 6. 645848 | WIRE ASSEM. SW. TO REAR DEFOGGER     | 14. | 97453  | CIRCUIT BREAKER ASSEM.             |
| 7. 635934 | SWITCH ASSEM. - FLOOR MTG. HEATER    | 15. | 635556 | CABLE ASSEM.                       |
| 8. 136857 | L.W. 7/16 EXT. TOOTH                 | 16. | 138479 | L.W. #10 EXT. TOOTH. (2)           |
|           |                                      | 17. | 120614 | NUT #10-32 HEX. (2)                |

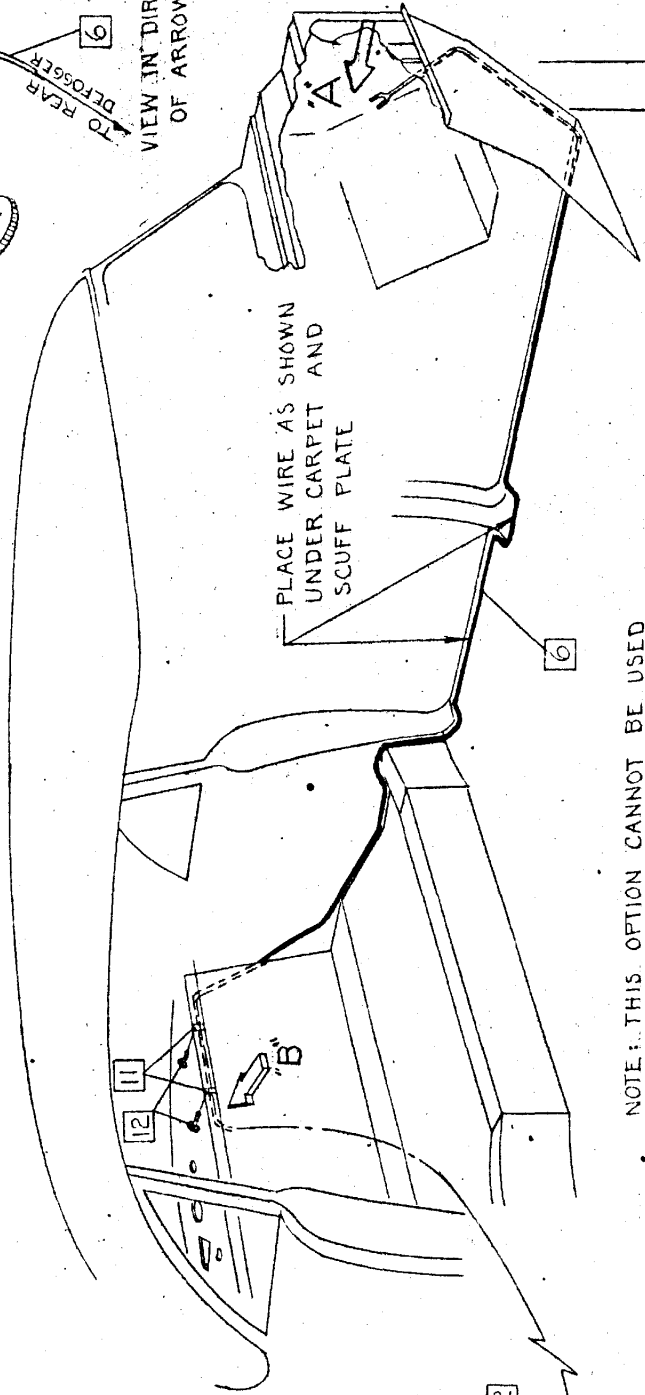
DASH MOUNTED  
CIRCUIT BREAKER



TO REAR DEFOGGER  
VIEW IN DIRECTION OF ARROW "A"



VIEW IN DIRECTION OF ARROW "B"



PLACE WIRE AS SHOWN UNDER CARPET AND SCUFF PLATE

NOTE: THIS OPTION CANNOT BE USED IN COMBINATION WITH REAR SEAT SPEAKER OR REAR AIR COND.

8-7-69 00361 WAS 62555  
CHANGE '5

EFFECTIVE JAN 1, 1968

CHECKER MOTORS CORP. KALAMAZOO, MICH.

SHEET NO. 625

DWN. DECKER  
CHK. 5-30-65

APVVD.

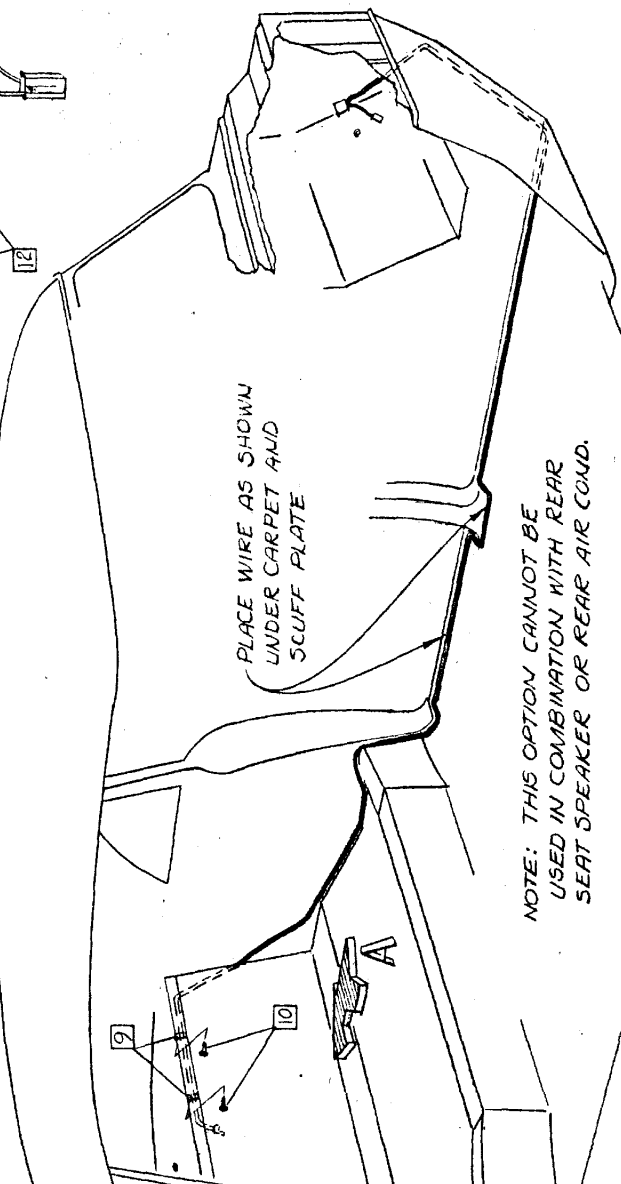
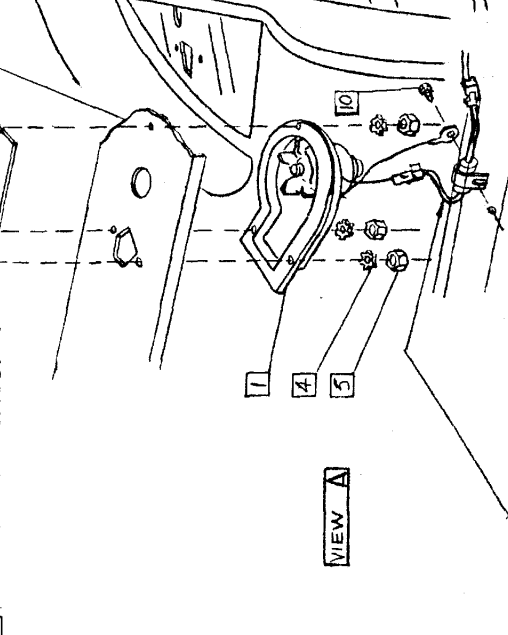
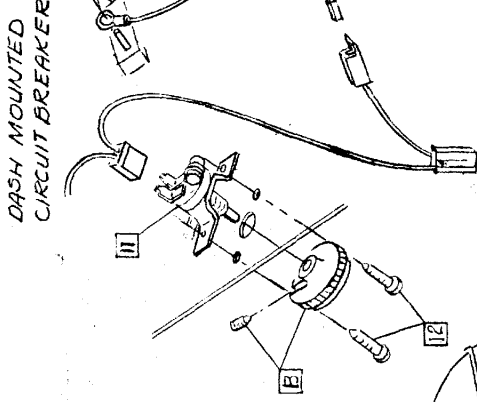
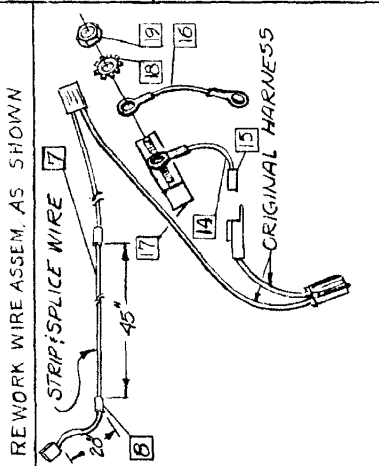
GRAPHIC ILLUSTRATION

REAR WINDOW DEFOGGER INSTALLATION (PASS. CAR.)

MODEL:	DATE
A-12 A-12E	3-29-68

- 1 645664 BLOWER ASSEM.
- 2 645665 GRILLE ASSEM.
- 3 644488 COVER
- 4 138479 L.W. #10 EXT. TOOTH (3)
- 5 120361 NUT #10-24 HEX. (3)
- 6 645668 WIRE ASSEM.
- 7 644502 WIRE EXTENSION
- 8 626810 SPLICER (2)
- 9 636535 CLIP (2)
- 10 626456 SCREW/WASHER ASSEM. #8 x 3/4 (3)
- 11 645666 SWITCH ASSEM.
- 12 9423637 SCR. #10 x 1/2 PHCR (2)
- 13 645667 KNOB ASSEM.
- 14 701866 WIRE ASSEM.
- 15 626809 CONN. BODY
- 16 635279 LEAD ASSEM.

- 17 97453 CIRCUIT BREAKER
- 18 138479 L.W. #10 EXT. TOOTH. (2)
- 19 120614 NUT #10-32 (2)
- 20 644490 PANEL - GROUP # 204
- 21 644491 PANEL - GROUP # 204.1



NOTE: THIS OPTION CANNOT BE USED IN COMBINATION WITH REAR SEAT SPEAKER OR REAR AIR COND.

NOTE: LONG WIRE FROM CAPACITOR IS TO BE CONNECTED TO MOTOR LEAD

\* ITEMS FURNISHED IN # 645663 - KIT

OBSOLETE - DESIGN CHANGE SEE G.I. 625-A