

EFFECTIVE JAN. 1, 1968

CHECKER MOTORS CORP., KALAMAZOO, MICH.

635

SHEET NO.

DATE 1-25-68

GRAPHIC ILLUSTRATION
SAFEGUARD PARTITION - 3/4" GLASS

DATE 1-25-68

MODEL A-11 BODY

1 641857 GLASS FRAME ASSEM.

2 642670 BRKT.(2)

3 622702 BUMPER(2)

4 120392 WASHER(2)

5 446620 NUT(2)

6 625932 RETAINER

7 271172 NUT F.L.W.ASSEM.(4)

8 640525 GLASS

9 642835 MLDG.(2)

10 168488 SCREW(3)

11 642834 MLDG.(2)

12 626673 SCREW(13)

13 644208 COVER

14 274105 SCREW(5)

15 645217 REGULATOR ASSEM.

16

17 644207 BRKT.

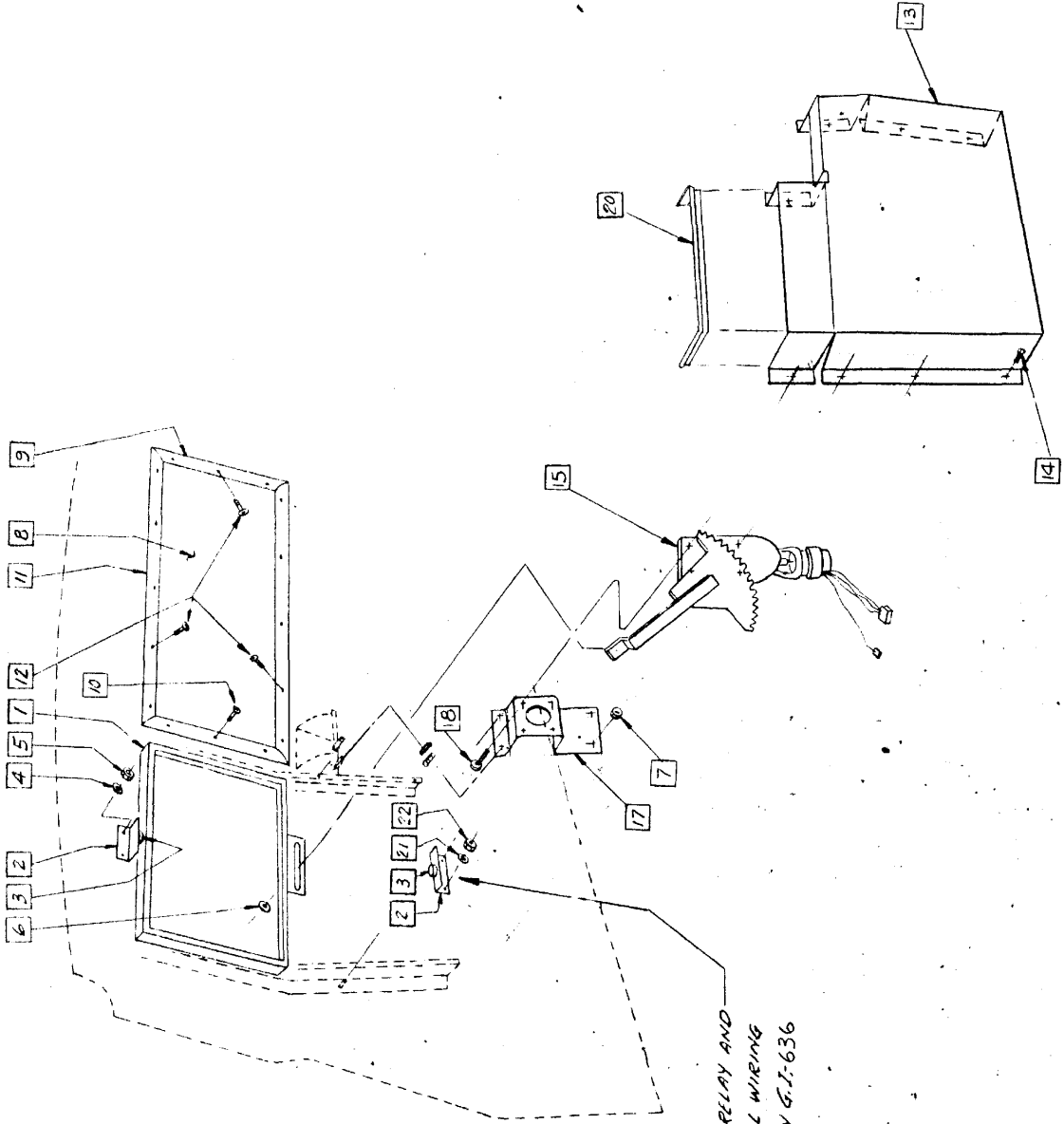
18 187987 SCR.F.L.W.(4)

19

20 644227 GASKET

21 174916 L.W.(2)

22 120375 NUT(2)



SWITCHES, RELAY AND
ELECTRICAL WIRING
SHOWN ON G.I.-636

(1) ADD'L COPY BODY ENGR