

REVISED 9-9-68

EFFECTIVE JAN 1, 1968

CHECKER MOTORS CORP. KALAMAZOO, MICH.

GRAPHIC ILLUSTRATION

KICK-RAIL FOOT PARKING BRAKE INSTALL.

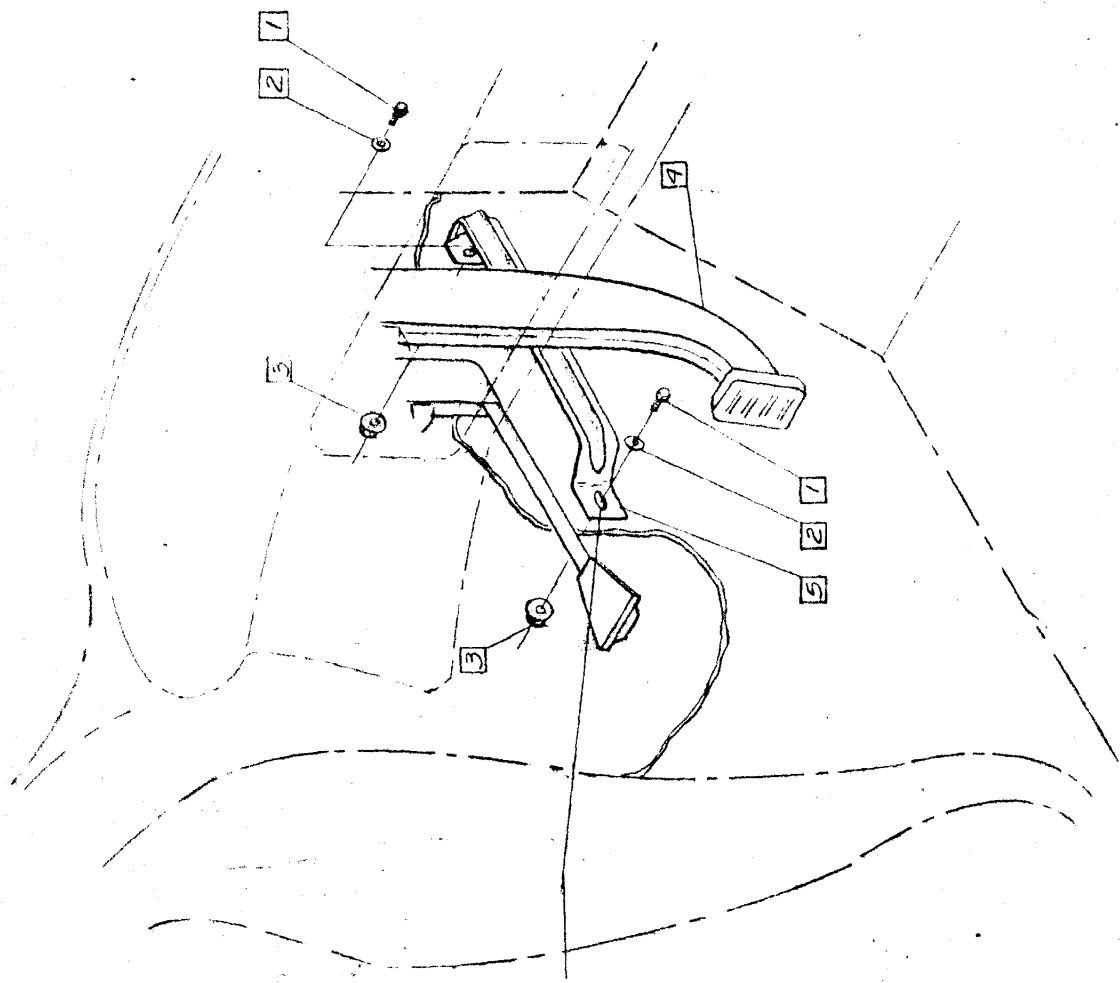
DRAWN BY
CHK. RCP 2-27-68
APPEND

SHEET NO. 522

DATE
2-27-68

MODELS
B-11 B-12W6
B-11E B-12WB

- 1 121500 BOLT (2)
- 2 120392 WASHER (2)
- 3 626403 NUT-WASHER SEALER ASSEM. (2)
- 4 701066 LEVER ASSEM. FOOT PARKING
- 5 649236 KICK-RAIL PARK BRAKE LEVER



HOLE LOCATED &
DRILLED AT ASSEMBLY