

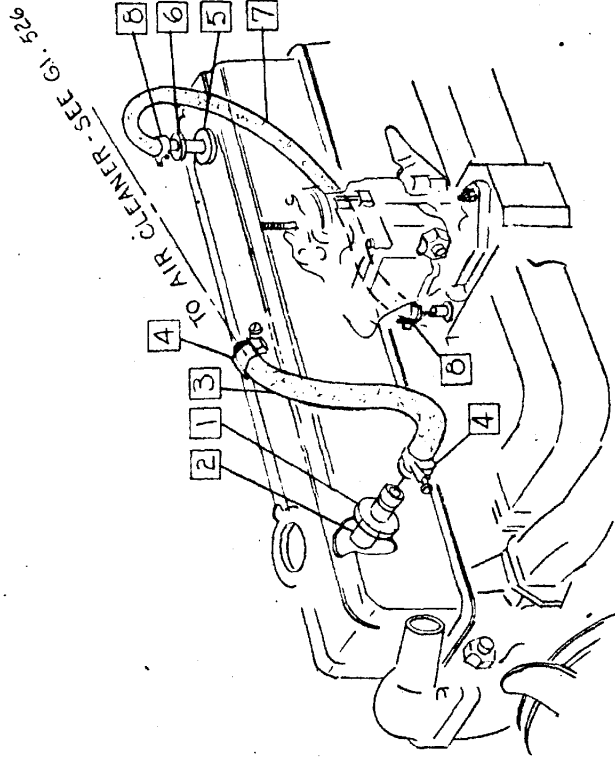
CHECKER MOTORS CORP. KALAMAZOO, MICH.

EFFECTIVE PER MEMO# 219

MODEL: B-11	B-11E	DATE	DWN. DEKKER	SHEET NO.
B-12	B-12E	2-14-69	CHK. GKR	560-A
B-12W			APPVD.	

CRANKCASE VENT - 6 CYL. STD. + AUTO. TRANS.

1. 704148 GR0MMET - C/C VENT.
2. 704147 CONNECTOR
3. 704271 HOSE - C/CASE VENT
4. 454358 CLAMP 1/8 HOSE (2)
5. 704146 GR0MMET
6. 703295 VALVE ASSEM.
7. 704267 HOSE - C/CASE VENT.
8. 702104 CLAMP - HOSE 3/8 FREE I.D. (2)



CHECKER MOTORS CORP. KALAMAZOO, MICH.

MODEL: A-11 A-12 CHASSIS  
A-11E A-12E A-12W

DATE: 1-1-68

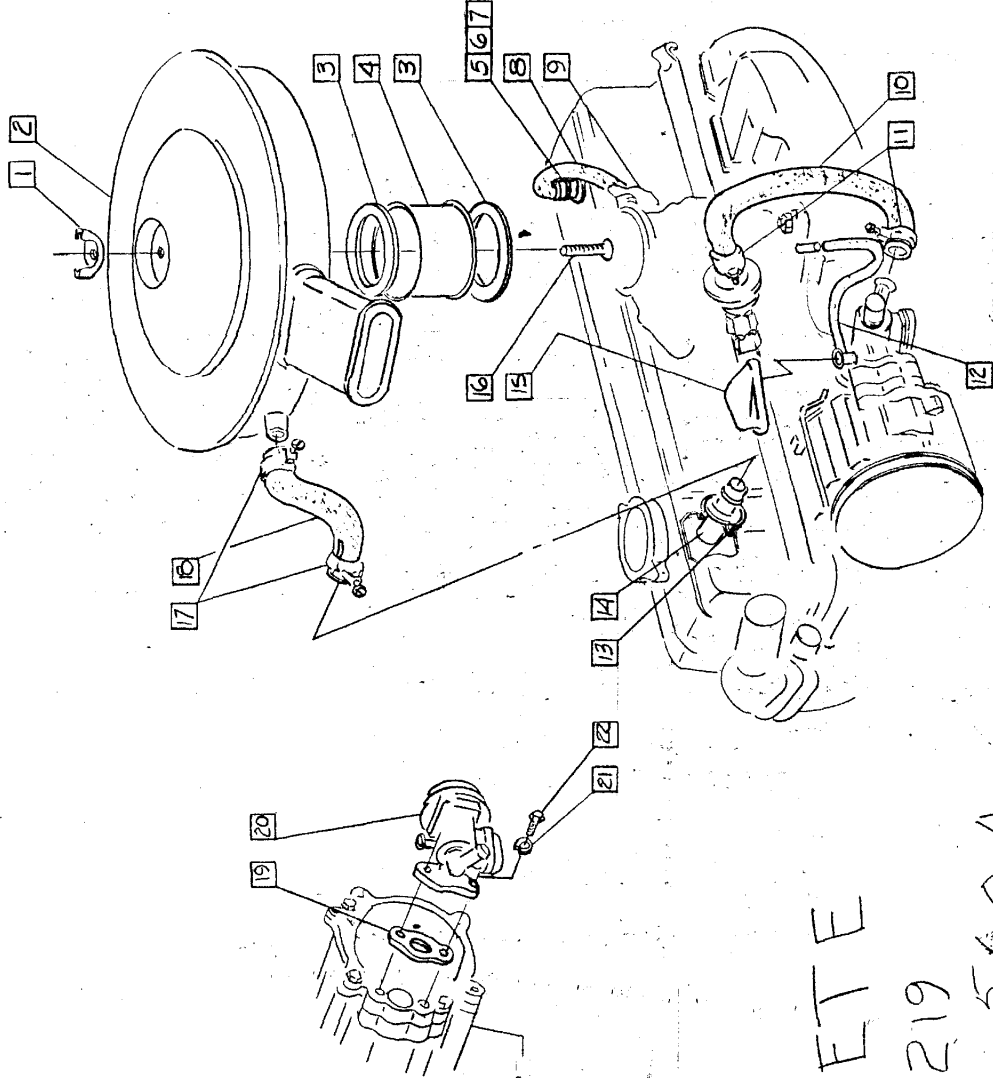
GRAPHIC ILLUSTRATION

SHEET NO. 560

DWN. KEB  
CHK. DE 1-3-68  
APPVD.

CRANKCASE VENT. - 6-CYL. STD. TRANS.

- 1. 126177 - Nut
- 2. 703137 - Air Cleaner Assem.
- 3. 702284 - Gasket (2)
- 4. 704328 - Extension A/C
- 5. 702104 - Clamp (2)
- 6. 703104 - Valve
- 7. 704146 - Grommet
- 8. 704267 - Hose
- 9. 703121 - Carburetor Assem.
- 10. 704273 - Hose
- 11. 92818 - Clamp (2)
- 12. 702942 - Hose
- 13. 704148 - Grommet
- 14. 704147 - Connector
- 15. 703177 - Silencer
- 16. 703169 - Stud. Assem.
- 17. 454358 - Clamp (2)
- 18. 704271 - Hose (Furn. in Kit)
- 19. 704155 - Gasket
- 20. 703127 - Valve Assem.
- 21. 120380 - Lockwasher (2)
- 22. 120854 - Bolt (2)



OBSOLETE  
PER MEMO # 219  
SEE G.I. 560-A