

REVISE DÉRENANCE-13-64/B-31-65/10-18-66/ J.K.

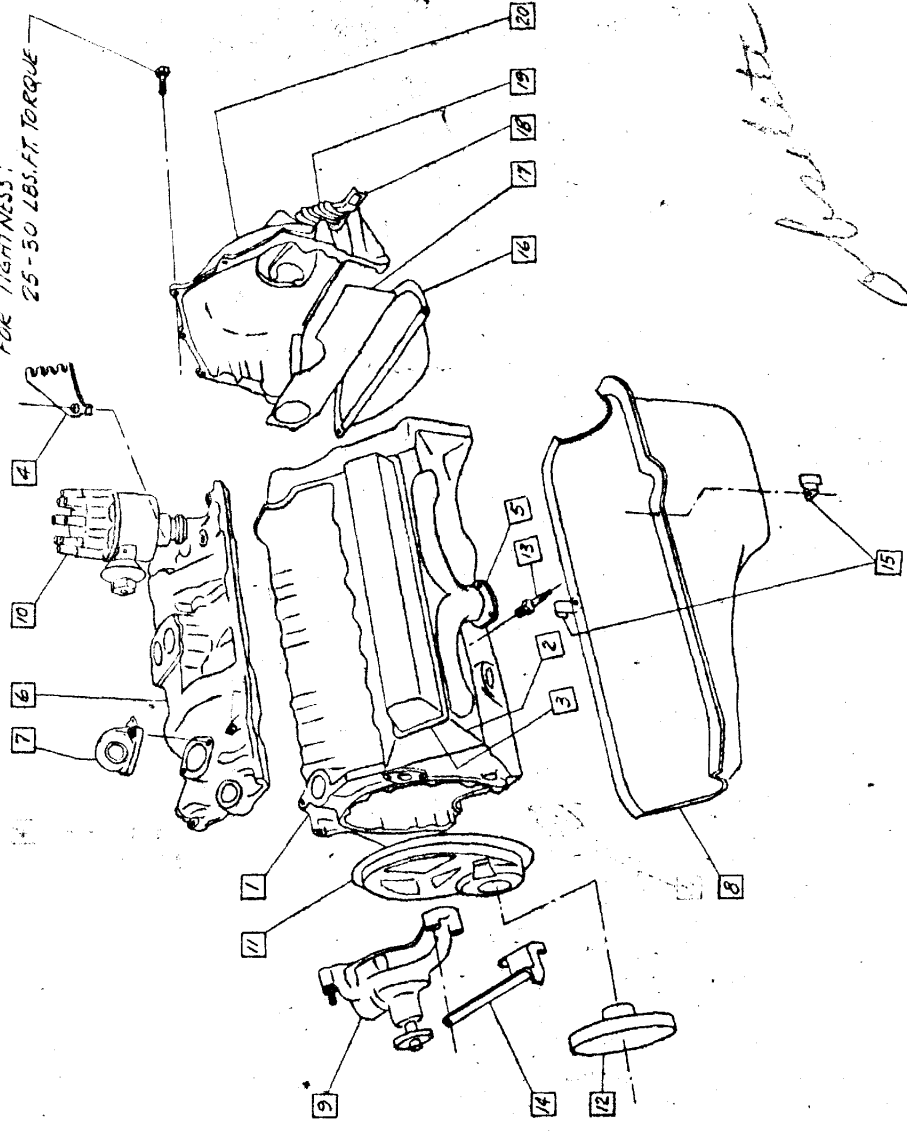
CHECKER MOTORS CORP., KALAMAZOO, MICH.

MODEL B-12	DATE 3-4-64	SHEET No. 203
APPLIES TO	GRAPHIC ILLUSTRATION	CHK. KERNEY
	ENGINE ASSEM. - AS REC'D, 307 CID.	APRD.
	STD. TRANS. - V-8 - EXTERNAL PARTS REFERENCE:	1967

- 1 390698 - CYL. & CASE ASSEM. OPTION
- 2 3914694 - CYL. & CASE ASSEM.
- 3 3911050 - HEAD - CYL. (2)
- 4 3902008 - COVER-VALVE ROCKER (2)
- 5 3902003 - MANIFOLD-EXHAUST-L.H.
- 6 3902002 - MANIFOLD-EXHAUST-R.H.
- 7 3917296 - MANIFOLD-IN TAKE
- 8 3917660 - OUTLET-WATER
- 9 3900416 - FAN ASSEM-OIL
- 10 3884528 - PUMP-WATER
- 11 111150 - DISTRIBUTOR ASSEM.
- 12 2885039 - COVER-FRONT END
- 13 3861970 - BALANCE ASSEM-HARMONIC
- 14 3610845 - SPARK PLUG ASSEM. (2)
- 15 3846565 - SUPPORT-ALTERNATOR
- 16 3744409 - CLIP-SPARK PLUG WIRE (2)
- 17 3714477 - UNDERPAN
- 18 3734908 - EXTENSION
- 19 3765372 - FORK-CLUTCH
- 20 3765360 - BOOT
- 21 3615889 - HOUSING-CLUTCH

701759 - ENGINE ASSEM. (AS SHIPPED)
CHEVROLET # 3905943

CHECK CLUTCH HOUSING BOLTS FOR TIGHTNESS. 25-30 LBS. FT. TORQUE



Handwritten signature

(1) ADD'L COPY - B-SUTHERLAND