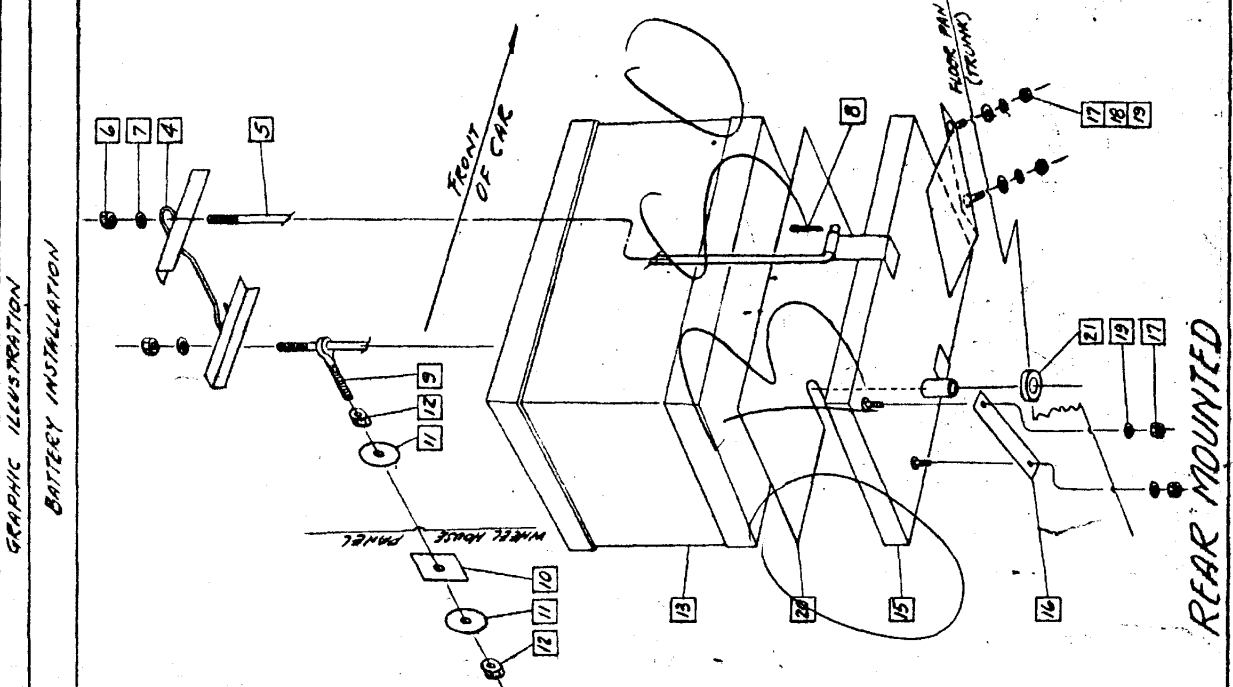
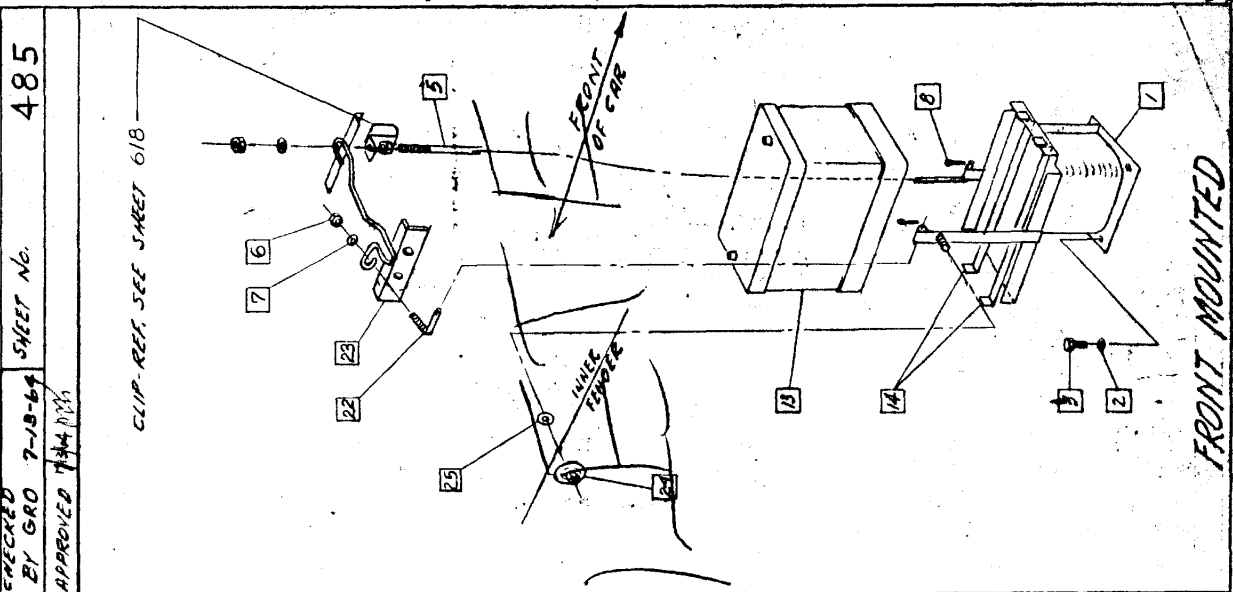


REVISED: 5-4-65 / 5-13-65 / 8-12-66 / 8-20-67 / 8-20-67

CHECKER MOTORS CORP., KALAMAZOO, MICH.

MODEL B-11 B-12 B-12WB B-12WB CASSIS	DATE 7-14-64	CHECKED BY GRO	SHEET NO. 485	
GRAPHIC ILLUSTRATION BATTERY INSTALLATION		FRONT MOUNTED		
REAR MOUNTED		FRONT MOUNTED		
1	701892	SUPPORT ASSEM	1	
2	120383	L.W.	4	
3	181666	BOLT	4	
4	95027	HOLD-DOWN	1	
5	94489	ROD	2	
6	120368	NUT	3	
7	448563	WASHER	2	
8	103373	COTTER PIN	2	
9	70196	BOLT	1	
10	80526	SHIM	1	
11	446477	WASHER	2	
12	124824	NUT	2	
13	701520-50A, 97478-75A, 9335-80A, 95370-90A, 97456-90A	BATTERY	1	
14		CLEAT	2	
15	702679-50A, 94670-75A, 94555-80A, 94555-90A	TRAY ASSEM.	1	
16	95283	STRIP	1	
17	120376	NUT	4	
18	120393	WASHER	2	
19	120214	L.W.	4	
20	94722	PAD	1	
21	94702	SPRINGMET	1	
22	704059	HOLD-DOWN ROD	1	
23	701909	H.D. ASSEM.	1	
24	626492	WIN-SENER ASSEM.	1	
25	626625	WASHER-RUBBER	1	



FRONT MOUNTED

REAR MOUNTED