

REVISED 12-23-47

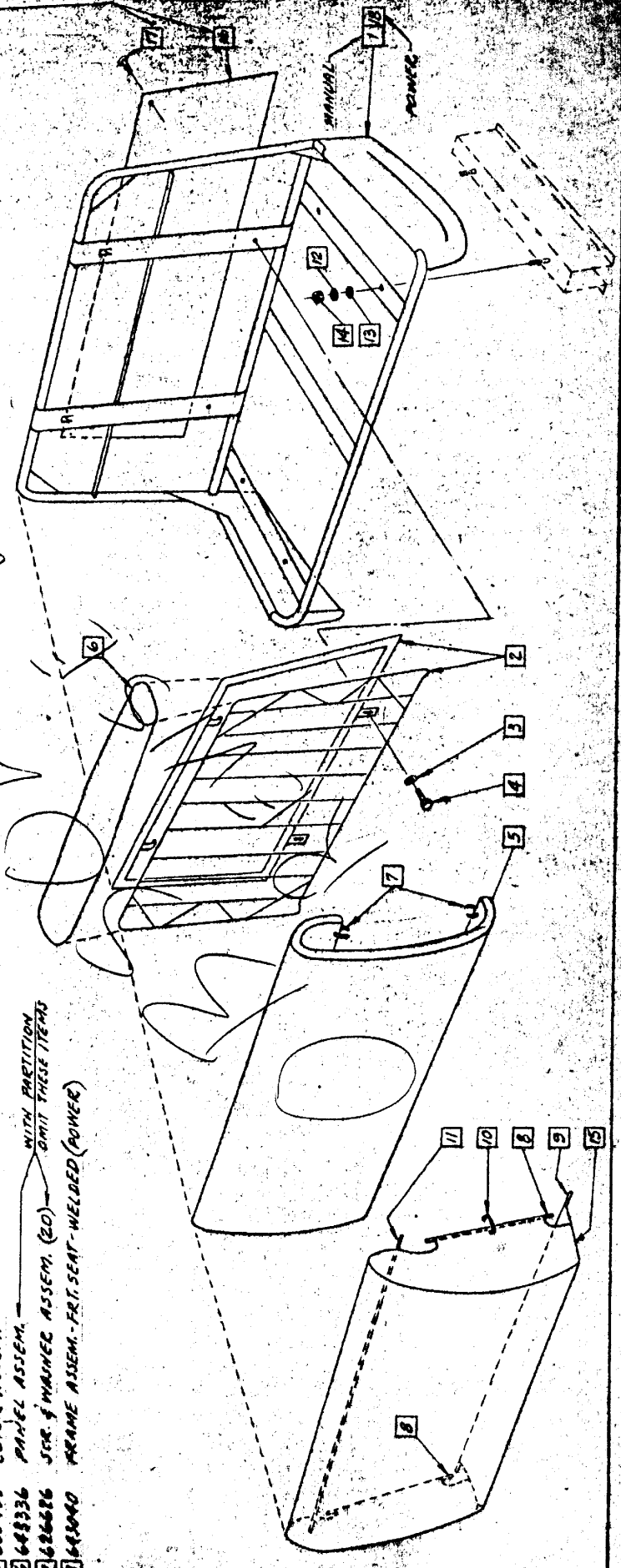
CHECKER MOTORS CORP., KALAMAZOO, MICH.

MODEL	A-11	DATE	8-14-65	DWN. KERNEY	SHEET NO.	691
	A-11E	BODY		CHK. F. J. 8/12/65		
				APPROV. S. H. 7/13/65		
				GRAPHIC ILLUSTRATION		
				SEAT ASSEM - FRONT - TRIMMED (CAR)		
				MANUAL & POWER		

- 1 643272 FRAME ASSEM. - FRT. SEAT-WELDED (MANUAL)
- 2 641239 SPRING ASSEM. - FRT. SEAT - BACK
- 3 174916 L.W. (2)
- 4 120706 BOLT (2)
- 5 633420 PAD ASSEM.
- 6 634628 COTTON BATT.
- 7 626072 HOG RING (28)
- 8 634404 WIRE (2" LONG) (2)
- 9 634403 WIRE (5 1/2" LONG)
- 10 626124 HOG RING (60)
- 11 634406 WIRE (52" LONG)
- 12 120214 L.W. (4)
- 13 120393 WASHER (4)
- 14 120868 NUT (4)
- 15 639409 COVER ASSEM.
- 16 648336 PANEL ASSEM.
- 17 628686 JCR. & WARNER ASSEM. (20)
- 18 648340 FRAME ASSEM. - FRT. SEAT-WELDED (POWER)

STRENGTHENED

NOTE:
WITH PARTITION
OMIT THESE ITEMS



(1) MODEL COMP. BODY ENGR.