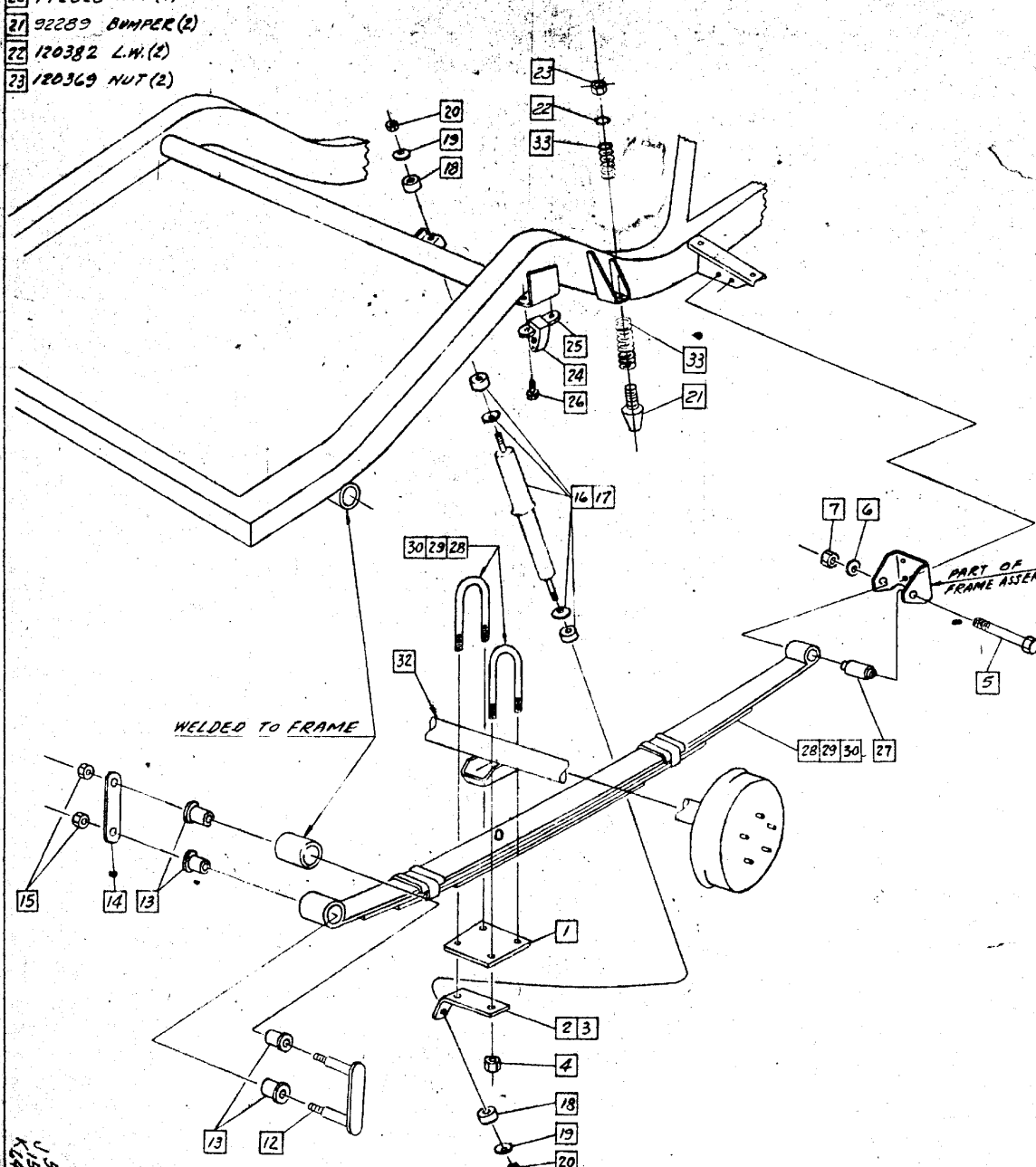


- 1 98300 PLATE (2)
- 2 98301 BRKT. L.H.
- 3 98302 BRKT.-R.H.
- 4 65198 NUT (8)
- 5 271758 BOLT(2)
- 6 121574 L.W.(2)
- 7 121958 NUT(2)
- 8
- 9
- 10
- 11
- 12 95634- PLATE & PIN(2)
- 13 96153 BUSHING(8)
- 14 80768 PLATE(2)
- 15 443340 NUT(4)
- 16 701963 SHOCK ABS.-REG.(2)
- 17 701974 SHOCK ABS.-M.D.(2)
- 18 709142 INSULATOR (4)
- 19 94408 WASHER(4)
- 20 442828 NUT(4)
- 21 92289 BUMPER(2)
- 22 120382 L.W.(2)
- 23 120369 NUT(2)

- 24 702356 BUMPER(2)
- 25 702354 CLIP(8)
- 26 171104 SCREW(4)
- 27 95644 BEARING(2) FURN. W/SPRING
- 28 97089 SPRING(2) (STD. B-12/B-12W/B-12E)
- 29 98308 CLIP(4)
- 30 97339 SPRING(2)(H.D. B-11/B-12/B-12W/B-12E)
- 31 98326 CLIP(4)
- 32 97364 SPRING(2)(STD. B-12)
- 33 98308 CLIP(4)
- 34 94409 WASHER(4) FURN. W/SHOCK
- 35 97310-97317 REAR AXLE
- 36 446477 L.W.(30)



REVISED: 2-23-65/30-66/12-19-66/6-23-67/	DATE	5-18-64	REAR SUSPENSION (1966)	SHEET NO. 237	CHK
MODEL: B-12 B-12E B-12E	DATE	5-18-64	REAR SUSPENSION (1966)	SHEET NO. 237	CHK
CHASSIS	DATE	5-18-64	REAR SUSPENSION (1966)	SHEET NO. 237	CHK
APPROVES TO	DATE	5-18-64	REAR SUSPENSION (1966)	SHEET NO. 237	CHK
CHECKER MOTORS CORP. KALAMAZOO, MICH.					
GRAPHIC: ILLUSTRATION					
DWG: KEYLEY					

5  
KJB

CHECKER MOTORS COCH. APLAMAZOZ, MICH.

237-A

CHECKED BY GRO 7-9-64

APPROVED [Signature]

GRAPHIC ILLUSTRATION HELPER SPRING

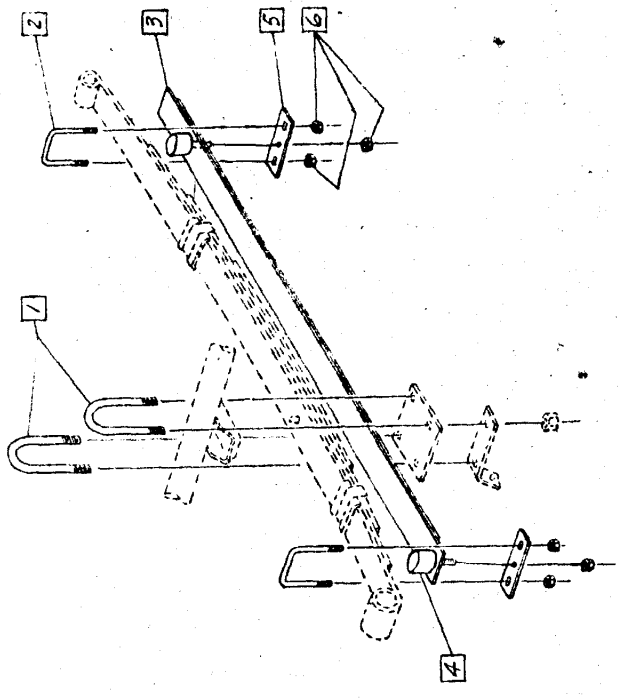
DATE 7-9-64

MODEL B11 B12 BIEN CHASSIS

ALSO APPLIES TO

- 1 98326 - CLIP (A)
- 2 U" BOLT (A)
- 3 SPRING ASSEM. (2)
- 4 BUMPER (A)
- 5 PLATE (A)
- 6 LOCKNUT (12)

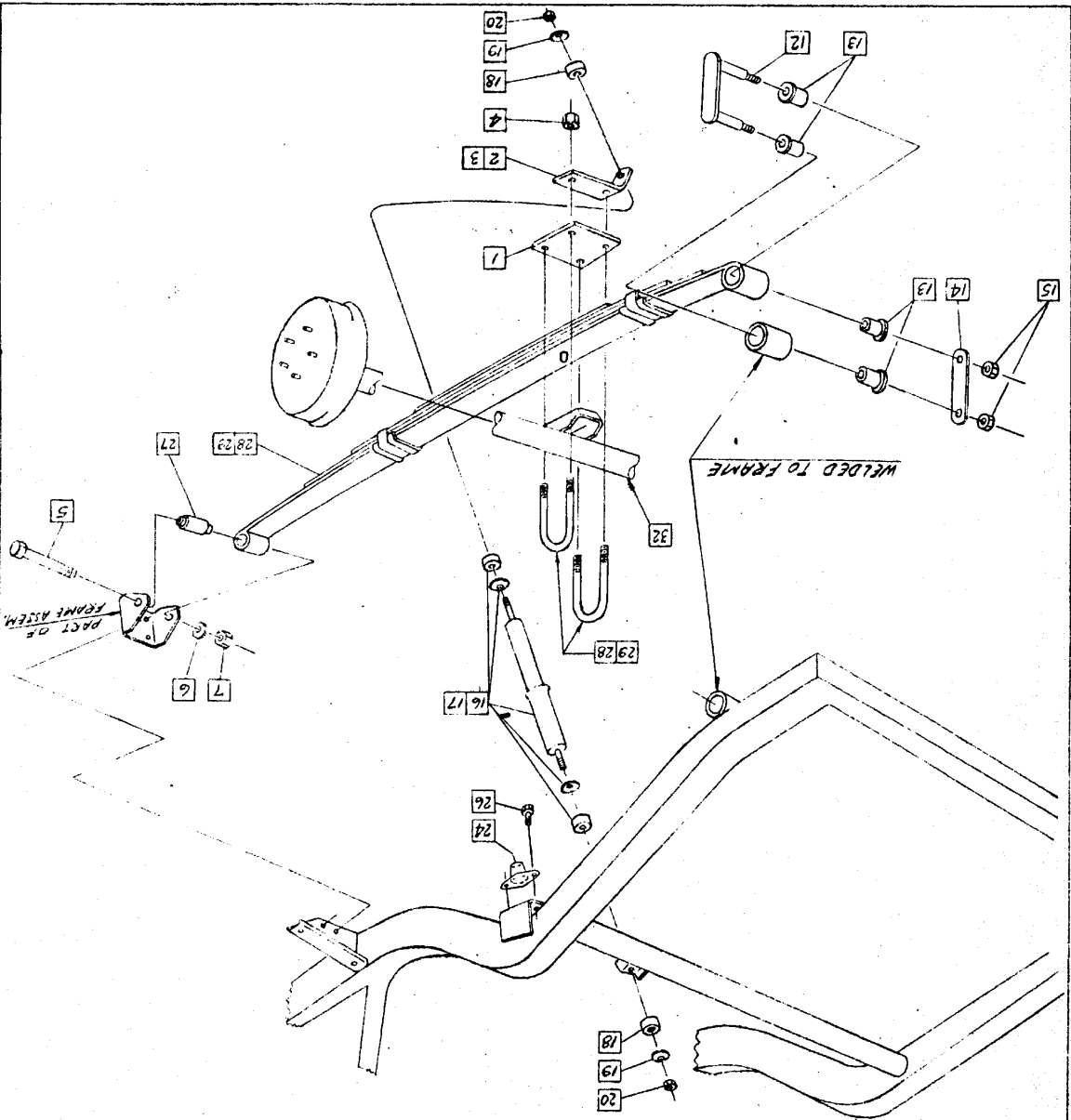
FURN IN KIT # 97393



# FOR ITEMS NOT IDENTIFIED - SEE SHEET 237

REVISED: 3-16-66 JJK/ B3069/023-27

CHEVROLET MOTORS CORP. KALAMAZOO, MICH.		SHEET NO. 257-B	
MODEL B-12WB	CHASSIS	DRAWN JK 5-17-65	CHK
APPLIES TO		DATE 5-18-65	APPROVED
GRAPHIC ILLUSTRATION		REAR SUSPENSION - RECORUS	



- |    |                                  |    |                                |
|----|----------------------------------|----|--------------------------------|
| 24 | 95651 BUMPER (2)                 | 23 |                                |
| 25 | 171104 SCREW (4)                 | 22 |                                |
| 26 | 95644 BEARING (2) FUEN. W/SPRING | 21 |                                |
| 27 | 95645 SPRING (2) B-12WB          | 20 | 442828 NUT (4)                 |
| 28 | 95646 SPRING (2) B-12WB          | 19 | 94408 WASHER (4)               |
| 29 | 702602 CLIP (4)                  | 18 | 701967 SHOCK ASS. - (2) B-12WB |
| 30 |                                  | 17 | 701966 SHOCK ASS. - (2) B-12WB |
| 31 | 94409 WASHER (4) FUEN. W/SHOCK   | 16 | 443340 NUT (4)                 |
| 32 | 701936-701938 REAR AXLE          | 15 | 80768 PLATE (2)                |
|    |                                  | 14 | 96153 BUSHING (8)              |
|    |                                  | 13 | 95634 PLATE (2) PIN (2)        |
|    |                                  | 12 |                                |
|    |                                  | 11 |                                |
|    |                                  | 10 |                                |
|    |                                  | 9  |                                |
|    |                                  | 8  |                                |
|    |                                  | 7  | 121358 NUT (2)                 |
|    |                                  | 6  | 121574 L.W. (2)                |
|    |                                  | 5  | 271758 BOLT (2)                |
|    |                                  | 4  | 65198 NUT (8)                  |
|    |                                  | 3  | 98302 BRKT.-R.H.               |
|    |                                  | 2  | 98301 BRKT.-L.H.               |
|    |                                  | 1  | 702603 PLATE (2)               |