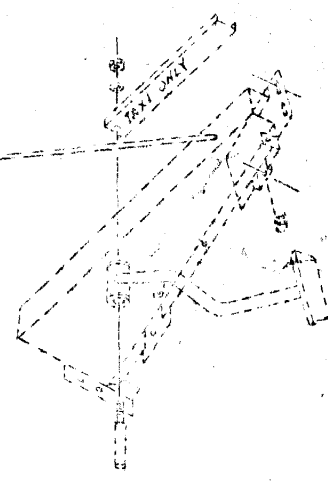


CHRYSLER MOTORS CORP., KALAMAZOO, MICH.
 MODEL B-11 B11E B12 B12E B12W B12W48 CHASSIS
 DATE
 DRAWN - KERNEY
 C.K. # 101671/101672
 APPR.
 SHEET NO. 652
 PER MEMO NO. 155

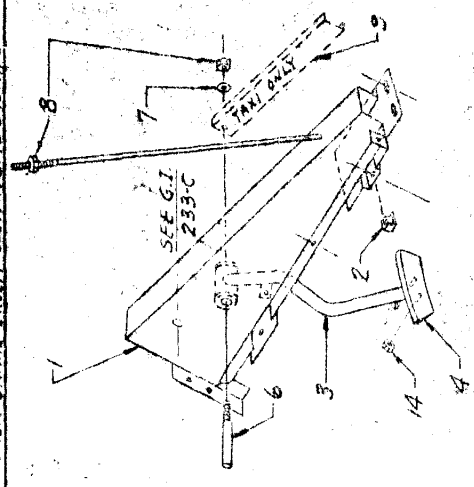
GRAPHIC ILLUSTRATION
 PEDAL SUPPORT - (AUTO TRANS.)

QTY	DESCRIPTION	UNIT	NON-FINE	FINE
1	101672	SUPPORT ASSEMBLY	1	
2	101673	UPPER BRACKET	2	
1	101674	ROCKER ARM	1	
1	101675	ROCKER ARM	1	
1	101676	ROCKER ARM	1	
1	101677	ROCKER ARM	1	
1	101678	ROCKER ARM	1	
1	101679	ROCKER ARM	1	
1	101680	ROCKER ARM	1	
1	101681	ROCKER ARM	1	
1	101682	ROCKER ARM	1	
1	101683	ROCKER ARM	1	
1	101684	ROCKER ARM	1	
1	101685	ROCKER ARM	1	
1	101686	ROCKER ARM	1	
1	101687	ROCKER ARM	1	
1	101688	ROCKER ARM	1	
1	101689	ROCKER ARM	1	
1	101690	ROCKER ARM	1	
1	101691	ROCKER ARM	1	
1	101692	ROCKER ARM	1	
1	101693	ROCKER ARM	1	
1	101694	ROCKER ARM	1	
1	101695	ROCKER ARM	1	
1	101696	ROCKER ARM	1	
1	101697	ROCKER ARM	1	
1	101698	ROCKER ARM	1	
1	101699	ROCKER ARM	1	
1	101700	ROCKER ARM	1	



(ALL MODELS EXCEPT AERODUS)
NON-POWER BRAKE

SAME AS POWER BRAKE EXCEPT OMIT ITEMS SHOWN ON GI-653



(ALL MODELS)
POWER BRAKE

ALSO ADD ITEMS SHOWN ON GI-653

obsolete

TO ASSEMBLE PEDAL SUPPORT TO STEERING COLUMN CONSULT WITH ENGINEERING DEPARTMENT