

GRAPHIC ILLUSTRATION
 PEDAL SUPPORT - (STD. TRANS.)

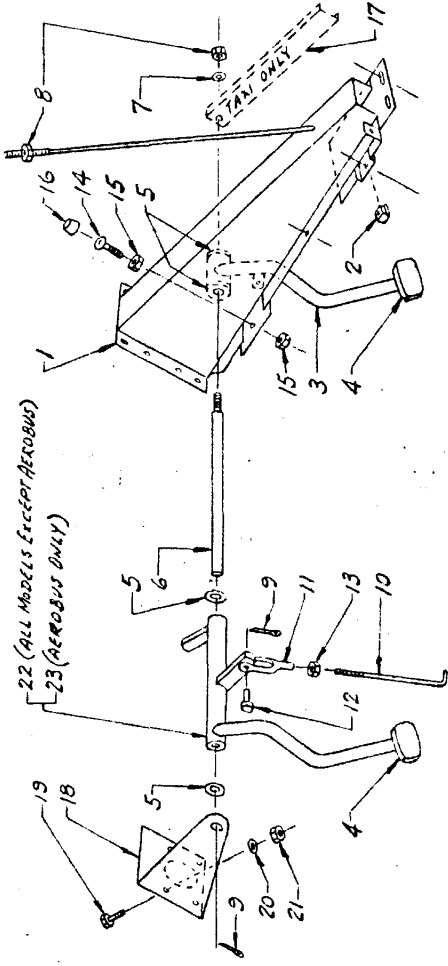
DATE
 11-1-65

MODEL B-11 B12E CHASSIS
 B12W B12W B12W

QTY.	DESCRIPTION	CHASSIS	DATE	REVISION
1	701480 SUPPT. ASSEM.	1		
2	702637 NUT, RETAINCE	2		
3	701107 PEDAL ASSEM.	1		
4	94831 COVER	2		
5	94703 WASHER	4		
6	94435 SHAFT	1		
7	120382 L.W.	1		
8	120369 NUT	2		
9	103385 CUTTER PIN	2		
10	702092 ROD	2		
11	144254 CLEVIS	1		
12	14785 PIN	1		
13	120369 NUT	1		
14	133115 SCREW	1		
15	124824 NUT	2		
16	94771 CAP	1		
17	98442 BRKT. - TAXI ONLY	1		
18	98509 BRKT.	1		
19	181595 BOLT	4		
20	120214 L.W.	4		
21	120368 NUT	4		
22	701248 PEDAL ASSEM.	1		
23	701591 PEDAL ASSEM.	2		
24	702089 SPRING	1		
25	702153 INSULATOR	1		

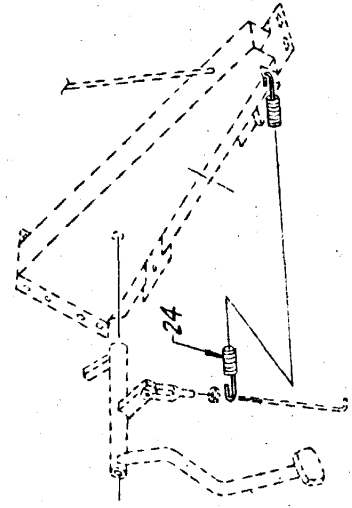
1 2 NON-PWR.
 1 2 PWR.
 1 PWR. AEROBUS
 1 PWR. AEROBUS

26 448635 SCREW
 27 702149 BRKT.
 28 9404996 SCREW
 29 701596 BOLT
 30 120376 NUT
 31 124854 NUT
 32 70637 SPRING
 33 70636 HOOK
 34 94580 ANCHOR



BASIC PEDAL SUPPT.

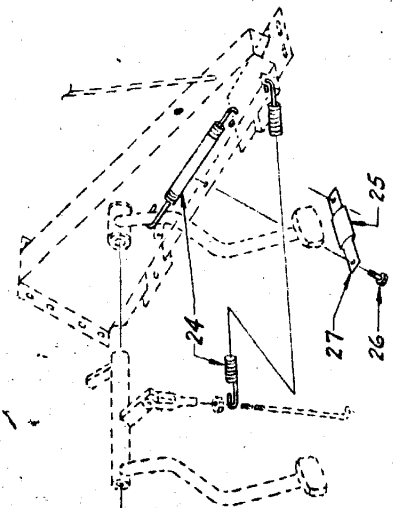
TO ASSEMBLE PEDAL SUPPT. TO:-
 CLUTCH BELL CRANK - SEE GI-211 & 212
 STEERING COLUMN - SEE GI-218
 COMB. INSTR. PANEL & MASTER BRAKE CYL - SEE GI-233, 234 & 235



(ALL MODELS EXCEPT AEROBUS)

POWER BRAKE

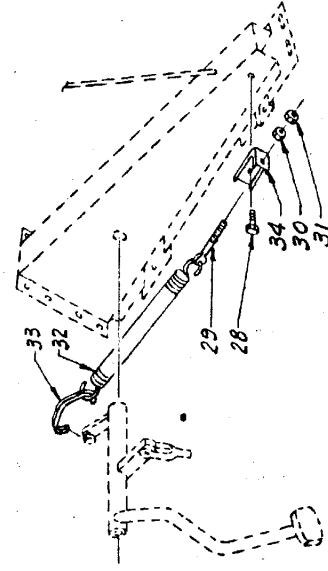
(ADD THIS ITEM TO BASIC PEDAL SUPPT.)



(ALL MODELS EXCEPT AEROBUS)

NON-POWER BRAKE

(ADD THESE ITEMS TO BASIC PEDAL SUPPT.)



(AEROBUS ONLY)

POWER BRAKE

(ADD THESE ITEMS TO BASIC PEDAL SUPPT.)

CHECKER MOTORS CORP., KALAMAZOO, MICH.

MODEL B-11 BIRE
 B-12 BIRE
 B-12W BIRE

CHASSIS

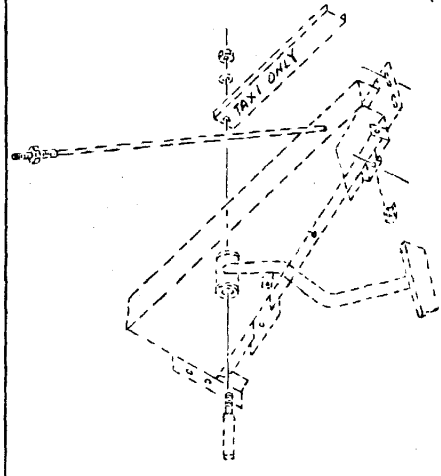
DATE
 11-1-65

GRAPHIC ILLUSTRATION
 PEDAL SUPPORT - (AUTO. TRANS.)

DRWG. - K. KERNY
 CHK. - R. B. 11/21/64
 APP'D.

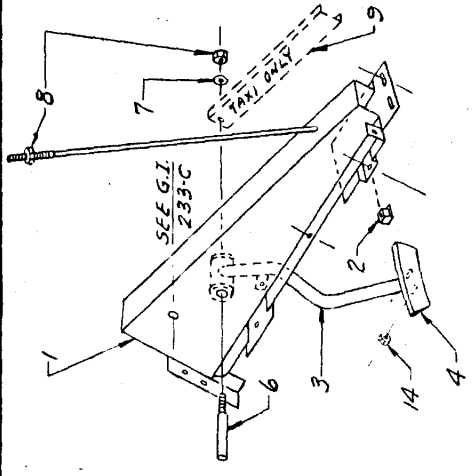
SHEET No. 233-B
 PER MEMO NO. 155

QTY	PART NO.	DESCRIPTION	NON-PWR.	PWR.
1	701762	SUPPT. ASSEM.	1	1
2	702637	NUT RETAINER	2	2
3	701768	PEDAL ASSEM.	1	1
4	701672	COVER	1	1
5				
6	54430	SHAFT	1	1
7	120382	L.W.	1	1
8	120369	NUT	2	2
9	98462	BRKT. - TANK ONLY	1	1
10				
11				
12				
13				
14	9416430	NUT	2	2



(ALL MODELS EXCEPT AEROBUS)
NON-POWER BRAKE

SAME AS POWER BRAKE EXCEPT OMIT ITEMS SHOWN ON GI 233-C



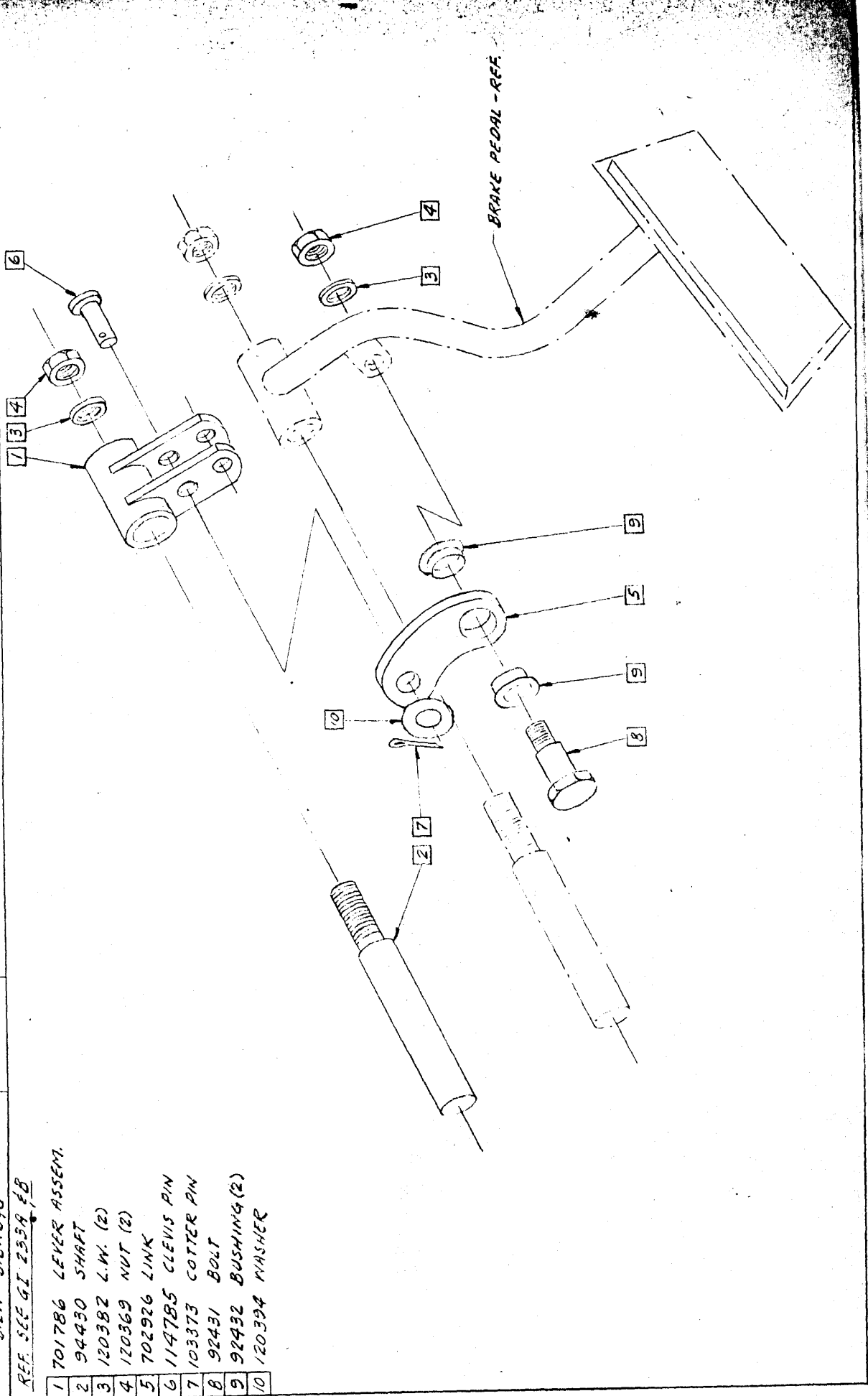
(ALL MODELS)
POWER BRAKE

TO ASSEM. PEDAL SUPPT. TO STEERING COLUMN - SEE GI-213
 CONVL. INSTR. PANEL & MASTER BRAKE CYL. - SEE GI-233, 234 & 235

ALSO ADD ITEMS SHOWN ON GI 233-C

CHECKER MOTORS CORP, KALAMAZOO, MICH.
 GRAPHIC ILLUSTRATION
 PER MEMO NO. 155
 SHEET No. 233-C
 DRAWN BY: KERNEY
 CHECKED BY: [unclear]
 APPROVED: [unclear]

DATE
 CHASSIS
 MODEL B12 B12E
 B12W B12W618



- REF. SEE GI 233A, 18
- 1 701786 LEVER ASSEM.
 - 2 94430 SHAFT
 - 3 120382 L.W. (2)
 - 4 120369 NUT (2)
 - 5 702926 LINK
 - 6 114785 CLEVIS PIN
 - 7 103373 COTTER PIN
 - 8 92431 BOLT
 - 9 92432 BUSHING (2)
 - 10 120394 WASHER

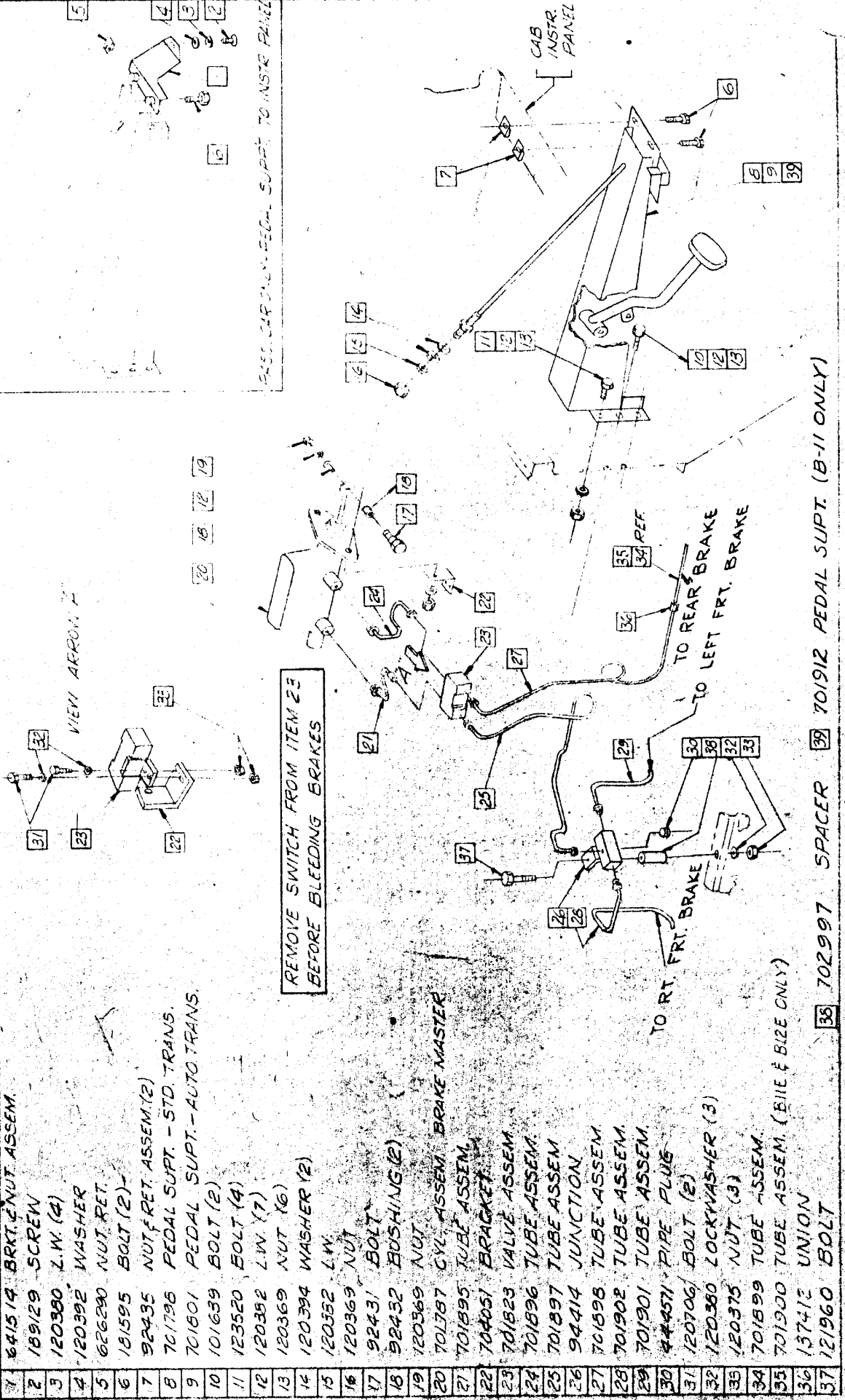
REVISED 3-21-69/10

CHECKER MOTOR CORP. KALAMAZOO, MICHIGAN

MODEL: B-11	CHASSIS	DATE	SHEET NO. 235-D
B-12	B-12WB	2-20-67	PER MEMO 155
B-12W	B-12WB		

GRAPHIC ILLUSTRATION

BRAKES - NON-POWER



1	641514	BRKT. & NUT ASSEM.
2	189129	SCREW
3	120380	L.W. (4)
4	120392	WASHER
5	626280	NUT RET.
6	181595	BOLT (2)
7	92435	NUT & RET. ASSEM. (2)
8	761796	PEDAL SUPT. - STD. TRANS.
9	701601	PEDAL SUPT. - AUTO TRANS.
10	101639	BOLT (2)
11	123520	BOLT (4)
12	120382	L.W. (7)
13	120369	NUT (6)
14	120394	WASHER (2)
15	120382	L.W.
16	120369	NUT
17	92431	BOLT
18	92432	BUSHING (2)
19	120369	NUT
20	701787	CYL. ASSEM. BRAKE MASTER
21	701895	TUBE ASSEM.
22	704051	BRACKET
23	701823	VALVE ASSEM.
24	701896	TUBE ASSEM.
25	701897	TUBE ASSEM.
26	94414	JUNCTION
27	701898	TUBE ASSEM.
28	701902	TUBE ASSEM.
29	701901	TUBE ASSEM.
30	444571	PIPE PLUG
31	120706	BOLT (2)
32	120380	LOCKWASHER (3)
33	120375	NUT (3)
34	701899	TUBE ASSEM.
35	701900	TUBE ASSEM. (B1E & B1Z ONLY)
36	137412	UNION
37	121960	BOLT

38 702997 SPACER 39 701912 PEDAL SUPT. (B-11 ONLY)