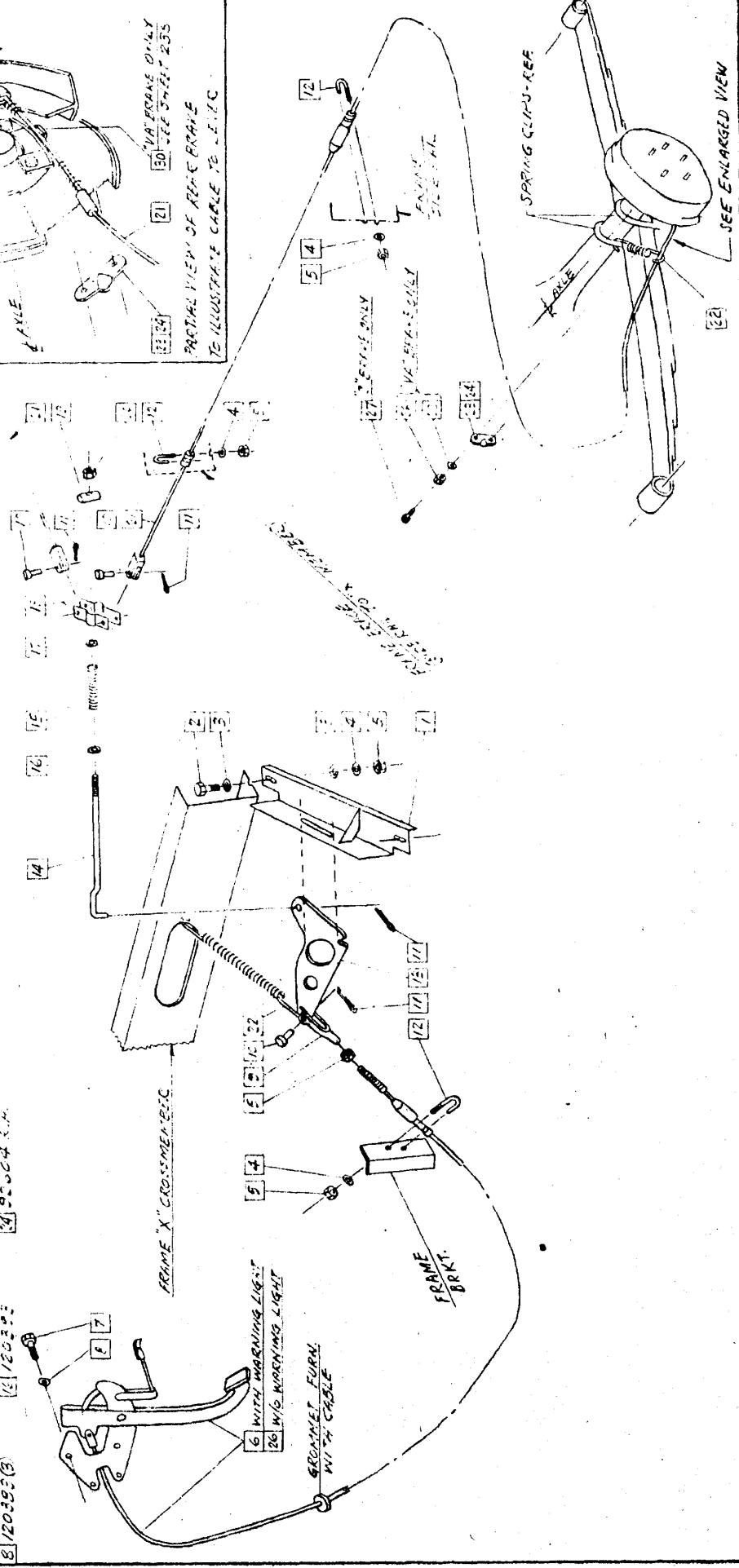
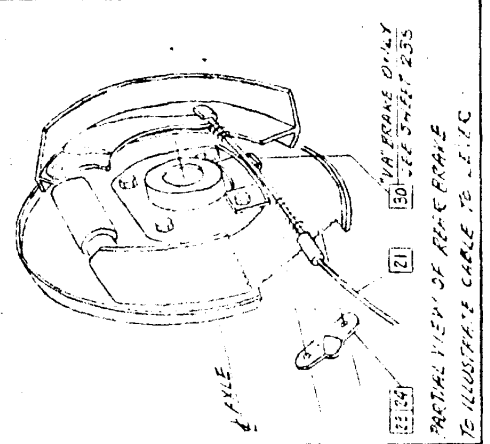


REVISED 8-20-64; A 2-17-65; 4-12-65 / 8-12-66

CHEVROLET MOTOR'S CORP. FALMOUTH, MICH.

MODEL	B-11 B-12W B-12 B-12E B-11E CHASSIS	DATE	8-13-64	GRAPHIC ILLUSTRATION	PARKING FRAME	CHEVROLET BY G.R.O. 8-6-64	SHEET NO.	256
-------	--	------	---------	----------------------	---------------	-------------------------------	-----------	-----

1	701124	9	44242	17	120394	25	701320
2	181608 (2)	10	120690 (3)	18	702155 (2)	26	448655 (4)
3	94354 (4)	11	103373 (4)	19	80517	27	120375 (4)
4	120214 (7)	12	70779 (5)	20	80307	28	120423 (4)
5	120368 (8)	13	94782	21	92254 (2)	29	92606
6	701318	14	94643	22	94349 (3)	30	
7	181666 (2)	15	92613	23	92605 L.H.		
8	120382 (3)	16	120393	24	92604 S.H.		



7
16
K44

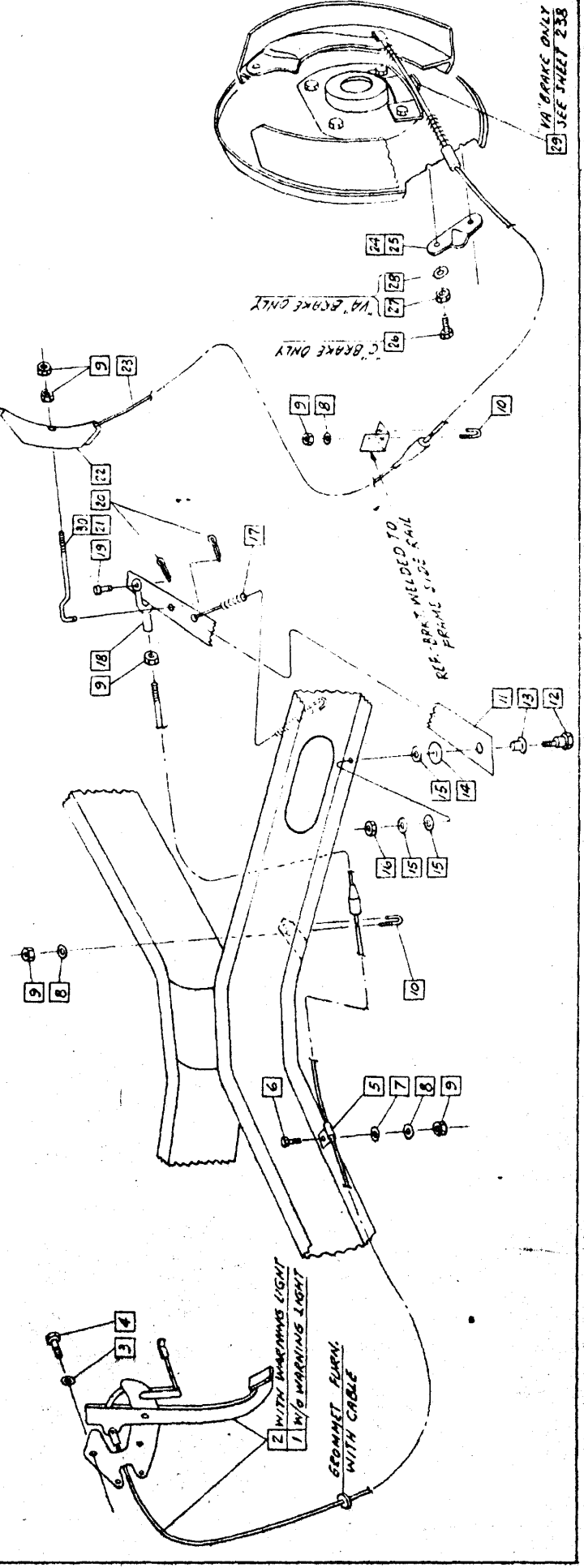
REVISED 4-12-65 / 8-12-66

CHECKER MOTORS CORP., KALEVAZOO, MICH.

MODEL B-11	B-12	B-12E	DATE	2-17-65	GRAPHIC ILLUSTRATION	SHEET NO.	256-A
MODEL B-11E	B-12W	CHASSIS			PARKING BRAKE	DRAWN J.M. 2-17-65	
						CHECKED	
						APPROV.	

- 1 701410 LEVER ASSEM.
- 2 701411 LEVER ASSEM.
- 3 120383 L.W.(S)
- 4 181666 BOLT(3)
- 5 192107 CLIP
- 6 120741 BOLT
- 7 120393 WASHER
- 8 120214 L.W.(4)
- 9 120368 NUT(7)
- 10 70779 CLAMP(3)
- 11 702545 LEVER
- 12 92431 BOLT
- 13 92432 BUSHING
- 14 702546 SPACER
- 15 702547 SPACER(3)
- 16 442828 NUT
- 17 702569 SPRING
- 18 144242 CLEVIS
- 19 120690 CLEVIS PIN
- 20 103379 COTTER PIN(2)
- 21 702561 ROD(B-11)
- 22 702567 EQUALIZER
- 23 701395 CABLE ASSEM.
- 24 92605 CLAMP L.H.
- 25 92604 CLAMP R.H.
- 26 448655 SCREW(4)
- 27 120375 NUT(4)
- 28 120483 L.W.(4)
- 29 92606 RAMP ASSEM
- 30 702609 ROD (B-11E)

OBSOLETE
 THIS DESIGN
 NOT USED



CHECKER MOTORS CORP. 400 W. 10TH ST. MILWAUKEE, WIS. 53233

SHEET NO. 255-C

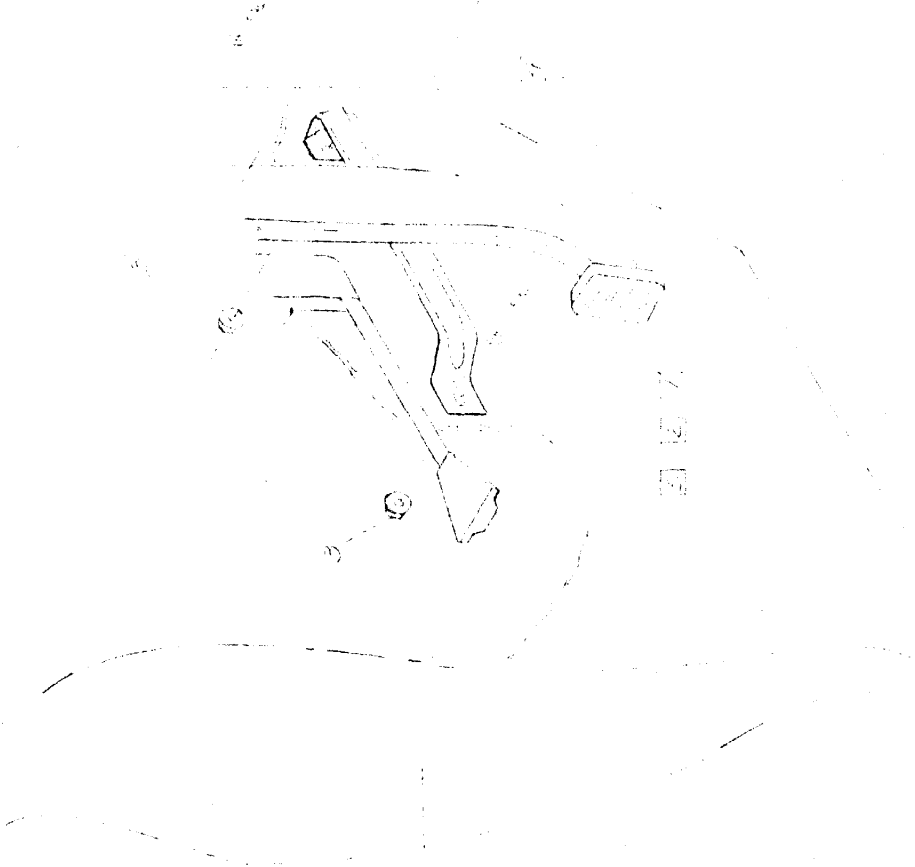
GRAPHER ILLUSTRATIONAL

DATE
3-27-67

MODELS
E-11
E-11E

KICK-APART FOOT PARS. UNDER ENGINE MOUNTS.

- 1 121900 BOLT (2)
- 2 120592 WASHER (2)
- 3 026403 NUT-WASHER ASSEMBLY (2)
- 4 701066 LEVER ASSEMBLY FOOT PARS. (1)
- 5 649286 KICK-APART FOOT PARS. LEVER



HOLES LOCATED &
DRILLED AT ASSEMBLY

CHECKER MOTORS CORP. KALAMAZOO, MICH.

GRAPHIC ILLUSTRATION

KICK-RAIL FOOT PARKING BRAKE INSTALL.

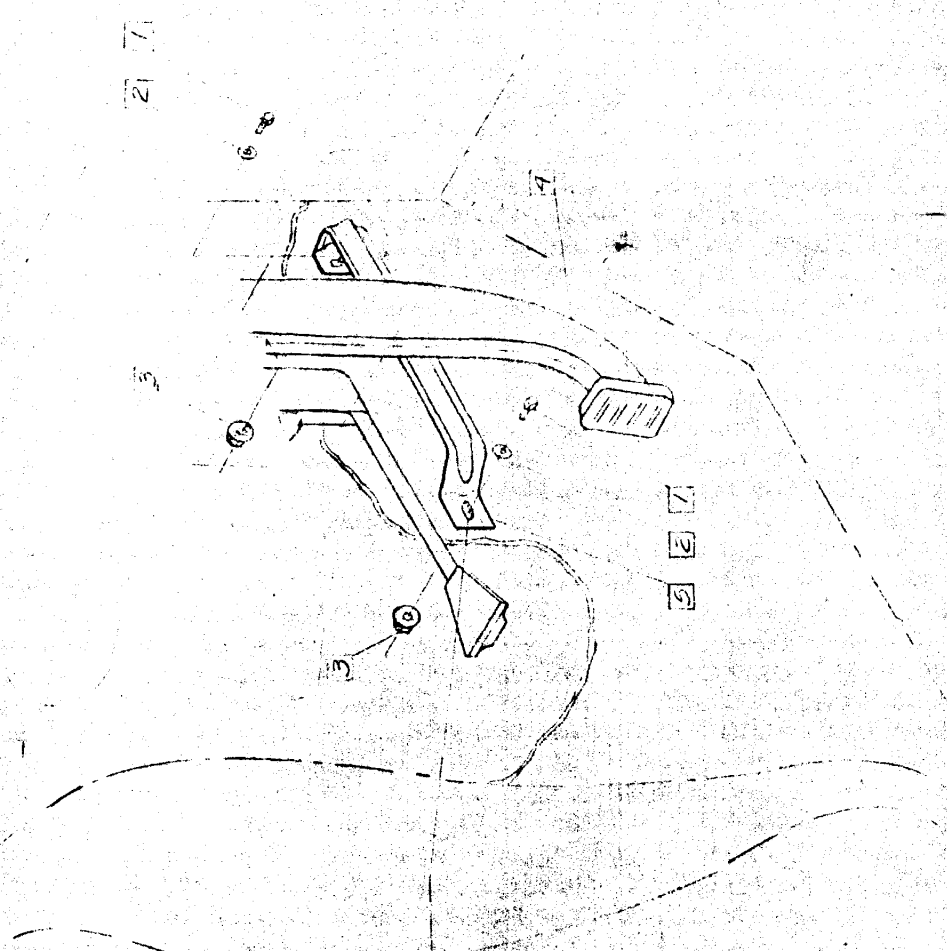
DATE
3-27-67

MODELS
B-11
B-11E

SHEET NO. 256-C

DRAWN BY
CHKD. BY
APPROV.

- 1 121900 BOLT (2)
- 2 120392 WASHER (2)
- 3 626403 NUT-WASHER SEALER ASSEM. (2)
- 4 701066 LEVER ASSEM.-FOOT PARKING
- 5 649236 KICK-RAIL PARK BRAKE LEVER



HOLES LOCATED &
DRILLED AT ASSEMBLY