

REVISED 8-17-66

CHECKER MOTORS CORP., KALAMAZOO, MICH.

DRW. KERLEY

642

CHK-7133 11/1/66

SHEET NO.

APPRO. 11/1/66

GRAPHIC ILLUSTRATION

FIXED PARTITION

DATE

1-5-66

BODY

1-5-66

1- 639549 FRAME ASSEM - FRONT SEAT SPECIAL

2- 643272 FRAME ASSEM

3- 634589 BRKT. L.H.

4- 634590 BRKT. R.H.

5- 632328 FRAME

6- 632329 GLASS

7- 632333 GLAZING (2)

8- 632334 GLAZING

9- 634307 BRKT. L.H.

10- 634308 BRKT. R.H.

11- 159659 SCREW (4)

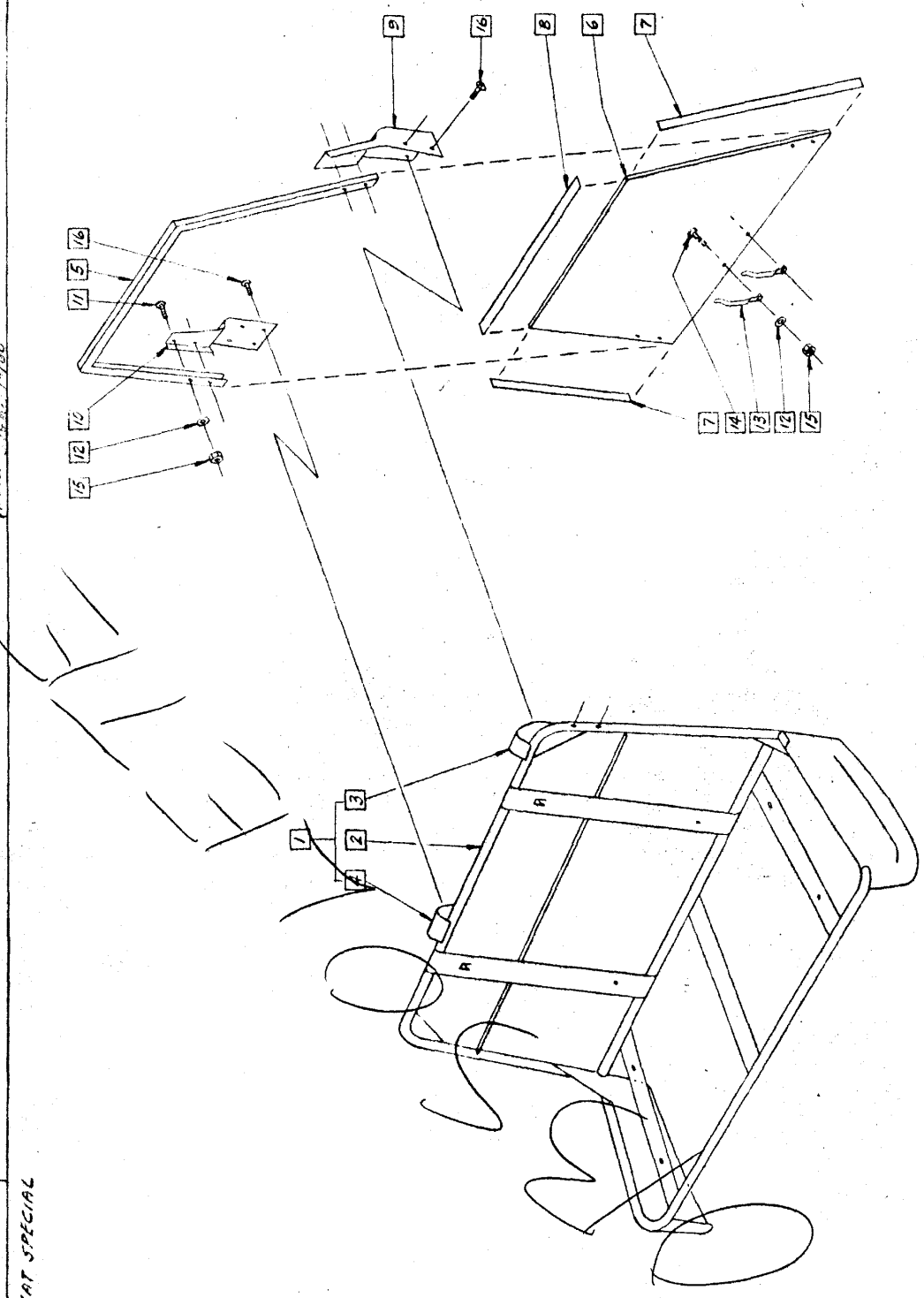
12- 138530 L.W. (6)

13- 630965 CLIP (2)

14- 147671 SCREW (2)

15- 120622 NUT (6)

16- 163310 SCREW (9)



(1) HOOD, CAP, FLY EMB