

REVISED 8-18-66

CHECKER MOTORS CORP., KALAMAZOO, MICH.

GRAPHIC ILLUSTRATION
FIXED PARTITION

237

DATE
1-5-66

Body

1- 639549 FRONTSEAT - FRONT SEAT SPECIAL

2- 642272 FRAME ADJNEM.

3- 634589 BRKT. L.H.

4- 634590 BRKT. R.H.

5- 632328 FRAME

6- 652309 GLASS

7- 632332 GLAZING (2)

8- 652334 GLAZING

9- 634307 BRKT. L.H.

10- 634308 BRKT. R.H.

11- 159659 SCREW (4)

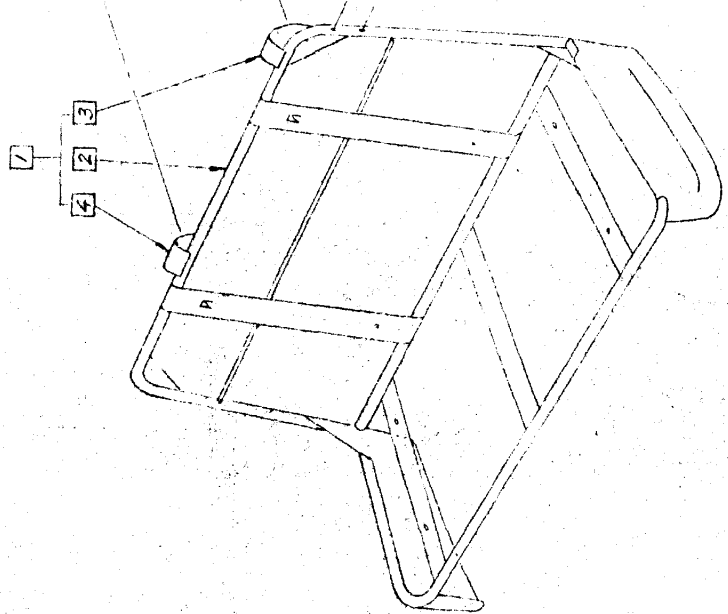
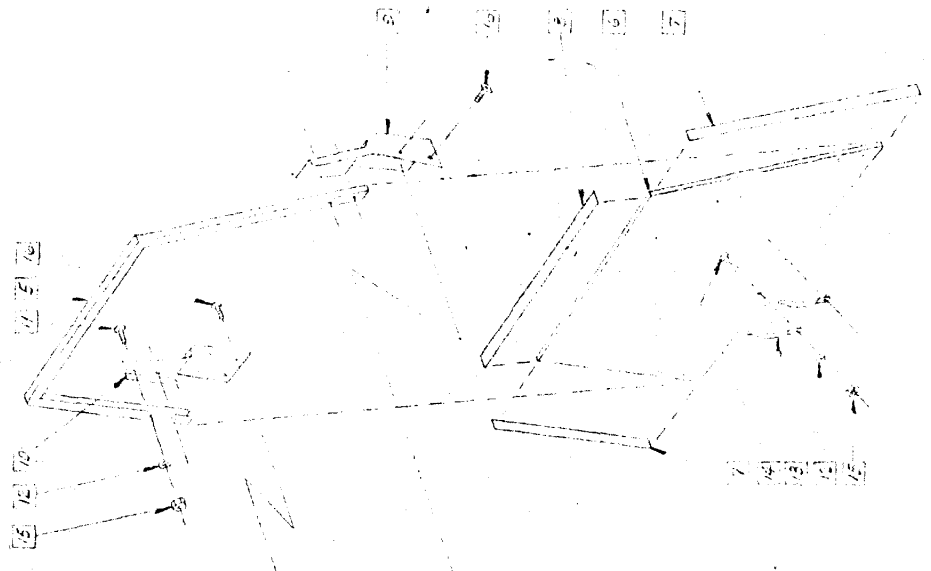
12- 138550 L.W. (6)

13- 650965 CLIP (2)

14- 147671 SCREW (2)

15- 120622 NUT (6)

16- 163510 SCREW (9)



(1) HDB. (M) F.M.Y. E.H.K.