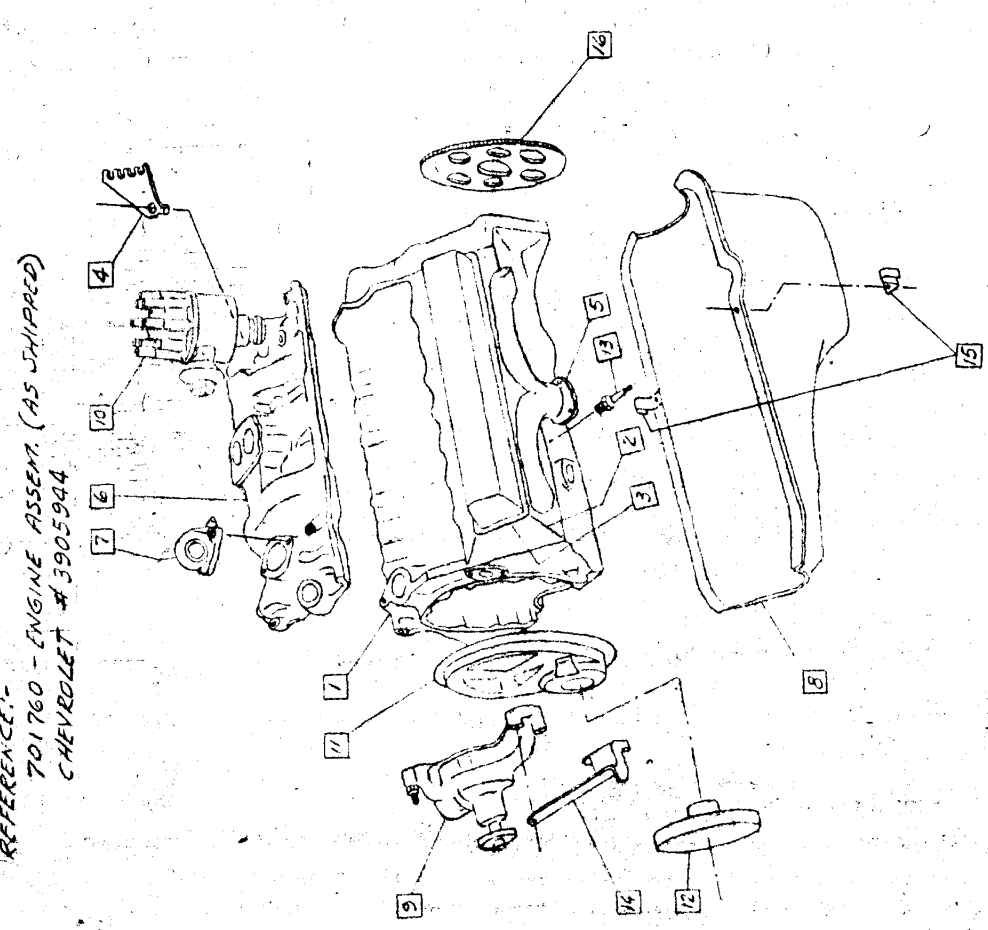


REVISED DRAWING 13-24/B-3165/10-18-66

CHEVROLET MOTORS CORP. KALAMAZOO, MICH.

|                             |                |  |                    |           |      |
|-----------------------------|----------------|--|--------------------|-----------|------|
| MODEL<br>B-12 B-12E CHASSIS | DATE<br>3-4-64 | GRAPHIC ILLUSTRATION<br>ENGINE ASSEM. - AS RECID.<br>AUTO. TRANS. - V-8 - EXTERNAL PARTS | DRAWN BY<br>KERNEX | SHEET NO. | 204  |
| APP'D.<br>10                |                |  | APP'D.             |           | 1967 |



701760 - ENGINE ASSEM. (AS SHIPPED)  
CHEVROLET #3905944

REFERENCE:-

- 1 [ 3896942 - CYL. F CASE ASSEM. ] OPTION
- 2 [ 3903374 - CYL. F CASE ASSEM. ]
- 3 3850560 - COVER - VALVE ROCKER (2)
- 4 3744404 - SUPPORT - SPARK PLUG WIRE
- 5 [ 3846557 - MANIFOLD - EXHAUST - L.H.  
5760424 - MANIFOLD - EXHAUST - R.H. ]
- 6 3877650 - MANIFOLD - INTAKE
- 7 3877660 - OUTLET - WATER
- 8 3900416 - PAN ASSEM. - OIL
- 9 5884528 - PUMP - WATER
- 10 1111150 - DISTRIBUTOR ASSEM.
- 11 3885039 - COVER - FRONT END
- 12 [ 3861970 - BALANCER ASSEM. - HARMONIC ] OPTION
- 13 [ - BALANCER ASSEM. - HARMONIC ]
- 14 5610845 - SPARK PLUG ASSEM. (8)
- 15 3846565 - SUPPORT - ALTERNATOR
- 16 3744409 - CLIP - SPARK PLUG WIRE (2)
- 17 5789821 - FLYWHEEL ASSEM.

(1) ADDL COPY - B. SUTHERLAND