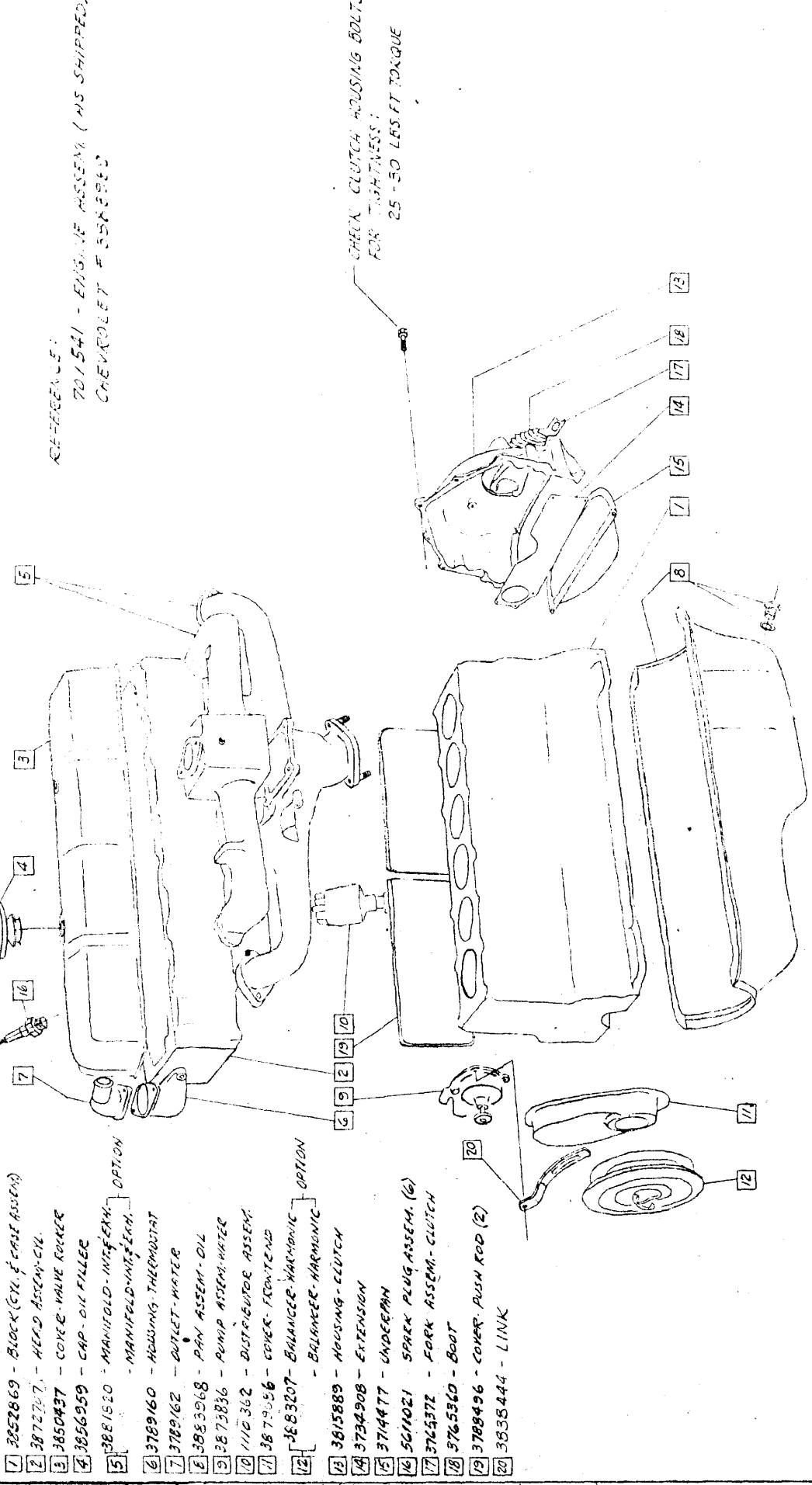


REVISED & REDESIGNED: 8-15-64/4-15-65/8-30-65  
 J.K. W.C. J.K.

CHECKER MOTORS CORP., ANN ARBOR, MICH.

MODEL	B-11 CHASSIS	DATE	2-25-64	SHEET NO.	201
ALSO APPLICABLE TO	B-12 B-12M B-12E				1966



- 1 3852869 - BLOCK (CYL. & CRANK ASSEMBLY)
- 2 3872777 - HEAD ASSEMBLY-CYL.
- 3 3850437 - CORE VALVE ROCKER
- 4 3856959 - CAP-OIL FILLER
- 5 3881810 - MANIFOLD-INTEGRATED OPTION  
- MANIFOLD-INTEGRATED
- 6 3789160 - HOUSING THERMOSTAT
- 7 3789162 - OUTLET-WATER
- 8 3883068 - PAN ASSEMBLY-OIL
- 9 3873836 - PUMP ASSEMBLY-WATER
- 10 1110362 - DISTRIBUTOR ASSEMBLY
- 11 3879056 - COVER-FRONT END
- 12 J683207 - BALANCER-HARMONIC OPTION  
- BALANCER-HARMONIC
- 13 3815889 - HOUSING-CLUTCH
- 14 3734908 - EXTENSION
- 15 3714477 - UNDERPAN
- 16 5611021 - SPARK PLUG ASSEMBLY (6)
- 17 3765372 - FORK ASSEMBLY-CLUTCH
- 18 3765360 - BOOT
- 19 3788496 - COVER-PLUN FOD (2)
- 20 3838444 - LINK

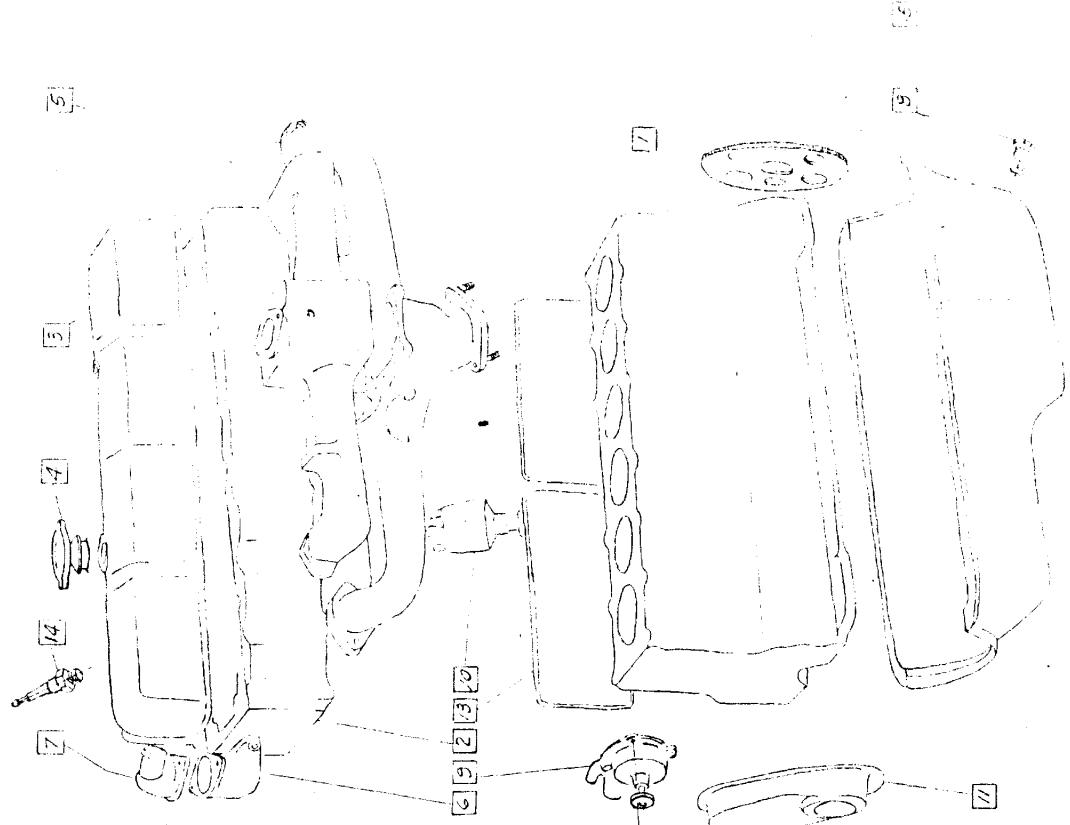
(1) ADD: COPY B. Sutherland

10  
10

REVISIONS  
 1. 1363/4-1E-65/E3065  
 2. 1363/4-1E-65/E3065

MODEL	B-11 CHASSIS	DATE	2-25-64	SHEET NO.	202
APPLIES TO	B-12 B-12W B-12E				1363

GRAPHIC ILLUSTRATION  
 ENGINE ASSEM. - AS REC'D  
 AUTO. TRANS. - 6 CYL. - EXTERNAL PARTS



- 1 3852869 - BLOCK (CYL. & CRK ASSEM)
- 2 3872707 HEAD ASSEM. CYL.
- 3 3850437 COVER VALVE ROCKER
- 4 3856959 CAP-OIL FILLER
- 5 3881820 MANIFOLD INT. EXH. OPTION  
- MANIFOLD INT. EXH.
- 6 3789160 HOUSING-THERMOSTAT
- 7 3789162 COU-LET-WATER
- 8 3883968 FAN ASSEM. OIL-
- 9 3875836 PUMP ASSEM. WATER
- 10 110362 DISTRIBUTOR
- 11 3879686 COVER FRONT END
- 12 3883207 BALANCE HARMONIC OPTION  
- BALANCE HARMONIC
- 13 3788496 COVER PUMP ROD (2)
- 14 5611021 SPARK PLUG ASSEM. (6)
- 15 3782821 FLYWHEEL ASSEM.
- 16 3838444 LINK

701542 ENGINE ASSEMBLY  
 CHASSIS NO. 1363991

(1) ADD'L. COPY - B. SUTHERLAND