

REVISED DRAWING 8-13-64/B-3765/10-18-66
 J.K.
 1004

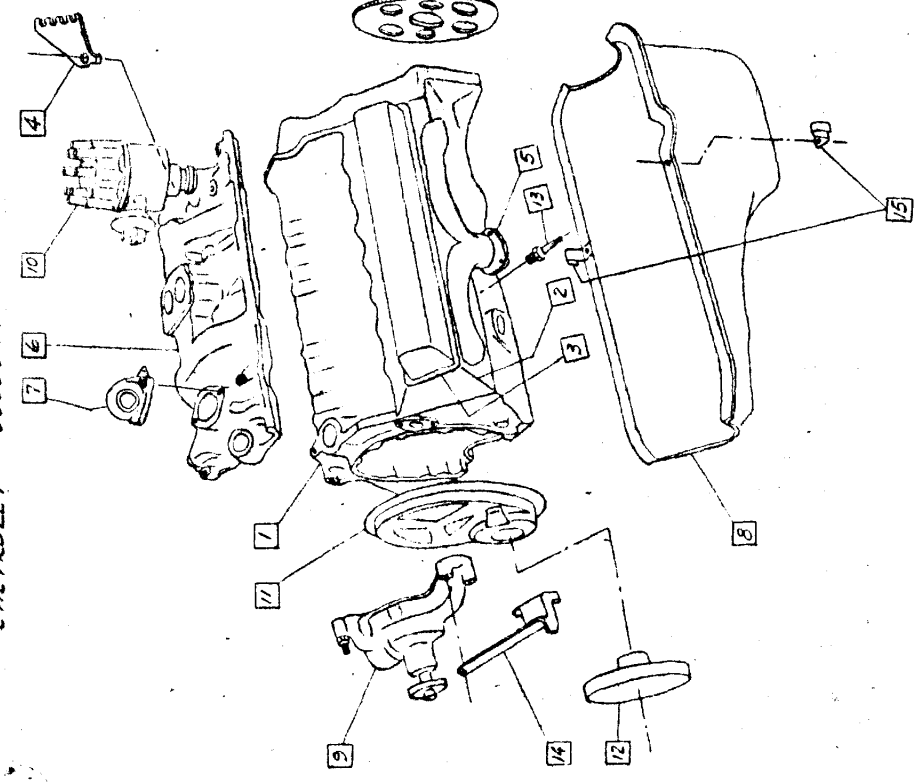
CHECKER MOTORS CORP., KALAMAZOO, MICH.

NO. 583	SHEET NO.
1967	
DWN. KERNEY	CHK.
APP'D.	
GRAPHIC ILLUSTRATION ENGINE ASSEM. - AS REC'D. AUTO. TRANS. - V-8 - EXTERNAL PARTS	
B-12	DATE
B-12	3-4-64
CHASSIS	

701760 - ENGINE ASSEM. (AS SHIPPED)
 CHEVROLET #3905944

REFERENCE:-

- 1 3896942 - CYL. F CASE ASSEM. - OPTION
- 2 3903374 - CYL. F CASE ASSEM.
- 3 3850560 - CONE-VALVE ROCKER (2)
- 4 3744404 - SUPPORT-SPARK PLUG WIRE
- 5 3846557 - MANIFOLD-EXHAUST-L.H.
- 6 3760424 - MANIFOLD-EXHAUST-R.H.
- 7 3877650 - MANIFOLD-INTAKE
- 8 3877660 - OUTLET - WATER
- 9 3900416 - PAN ASSEM.-OIL
- 10 3884528 - PUMP-WATER
- 11 1111150 - DISTRIBUTOR ASSEM.
- 12 3885039 - CONE - FRONT END
- 13 3861970 - BALANCER ASSEM.-HARMONIC - OPTION
- 14 5610845 - BALANCER ASSEM.-HARMONIC
- 15 3846565 - SPARK PLUG ASSEM. (2)
- 16 3846409 - SUPPORT-ALTERNATOR
- 17 3744409 - CLIP-SPARK PLUG WIRE (2)
- 18 3783821 - FLYWHEEL ASSEM.



(1) ADDL COPY - B. SUTHERLAND