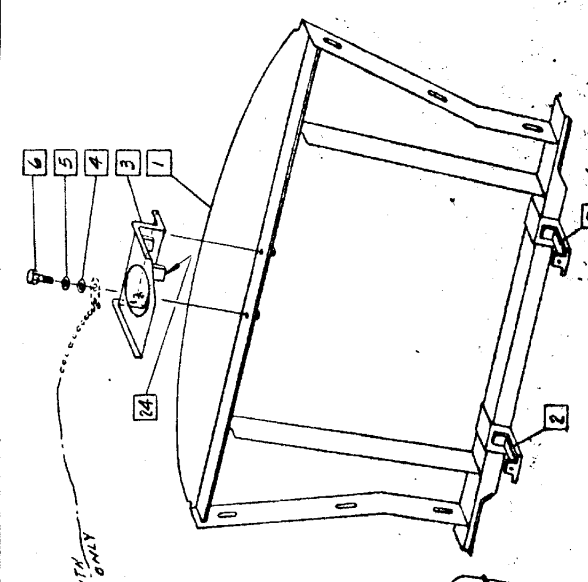


REVISED: 8-10-64 / REF. J.K. J.K. / 11-64 / S.B. 65 / 6-30-64

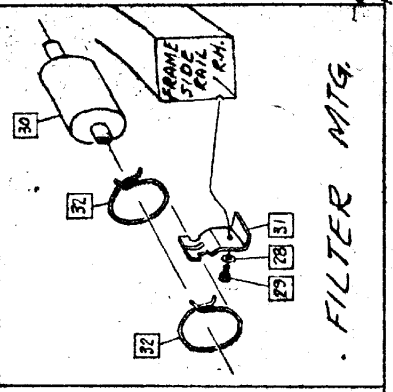
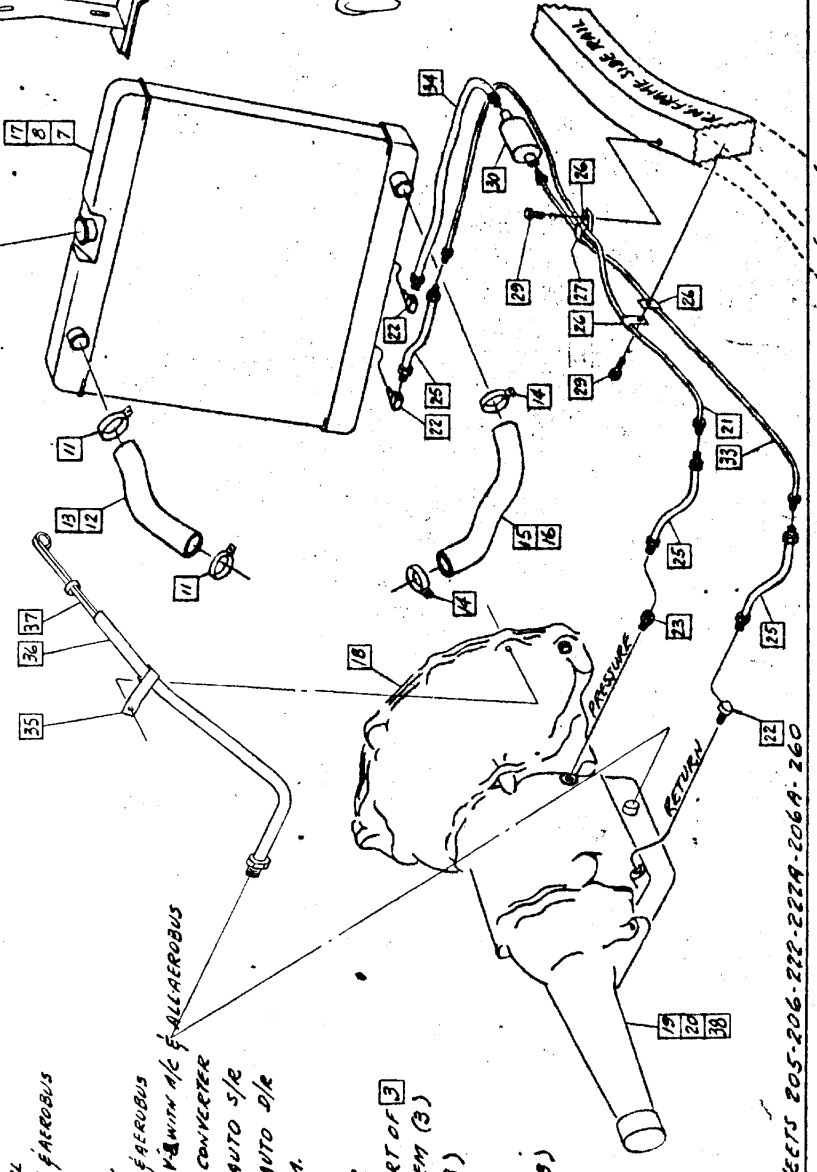
CHECKER MOTORS CORP., KALAMAZOO, MICH.

MODEL B-12 W/6 B-12 N/B	DATE	GRAPHIC ILLUSTRATION	SHEET NO.
APR 1950 TO B-12 W/6 B-12 N/B	6-23-64	COOLING SYSTEM-AUTO TRANS-WITH FILTER	243
			CHECKED BY GRD 6-23-64
			APPROVED [Signature]

- 1 641519 SUPPORT
- 2 702088 PAD (2)
- 3 641520 BRKT. & PAD ASSEM.
- 4 120393 WASHER (2)
- 5 120214 L.W. (2)
- 6 181595 BOLT (2)
- 7 701379 RADIATOR-6CYL. W/6 A/C
- 8 701380 RADIATOR-6CYL. W/6 A/C
- 9 96281 CAP (NOT AEROBUS)
- 10 701031 CAP & CHAIN
- 11 454370 CLAMP (2)
- 12 702115 HOSE-6CYL.
- 13 702262 HOSE-V-8 FAEROBUS
- 14 454373 CLAMP (2)
- 15 702116 HOSE-6CYL.
- 16 702118 HOSE-V-8 FAEROBUS
- 17 701381 RADIATOR-W/WHIN A/C
- 18 702548 HOUSING-CONVERTER
- 19 701040 TRANS.-AUTO 5/2
- 20 701041 TRANS.-AUTO D/R
- 21 701489 TUBE ASSEM.
- 22 137412 ELBOW (3)
- 23 137416 CONNECTOR
- 24 702094 PAD (2) PART OF 3
- 25 92728 HOSE ASSEM (3)
- 26 192107 CLIP (3)
- 27 92869 CLIP
- 28 120380 L.W.
- 29 448655 SCREEN (3)



OBsolete
SEE
GZ 242



FILTER MOUNTING

(1) ADDL. COPY BODY ENGR.

FOR SHOWN ON SHEETS 205-206-222-222A-206A-260