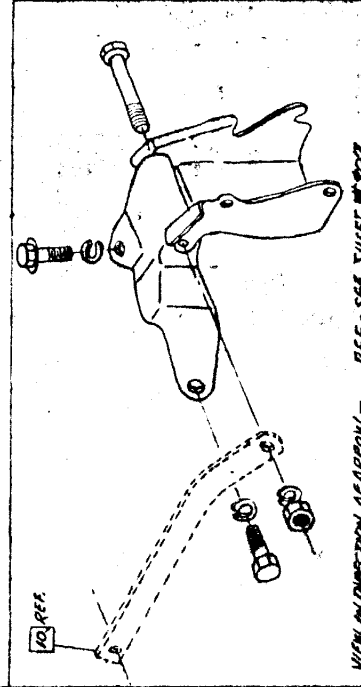
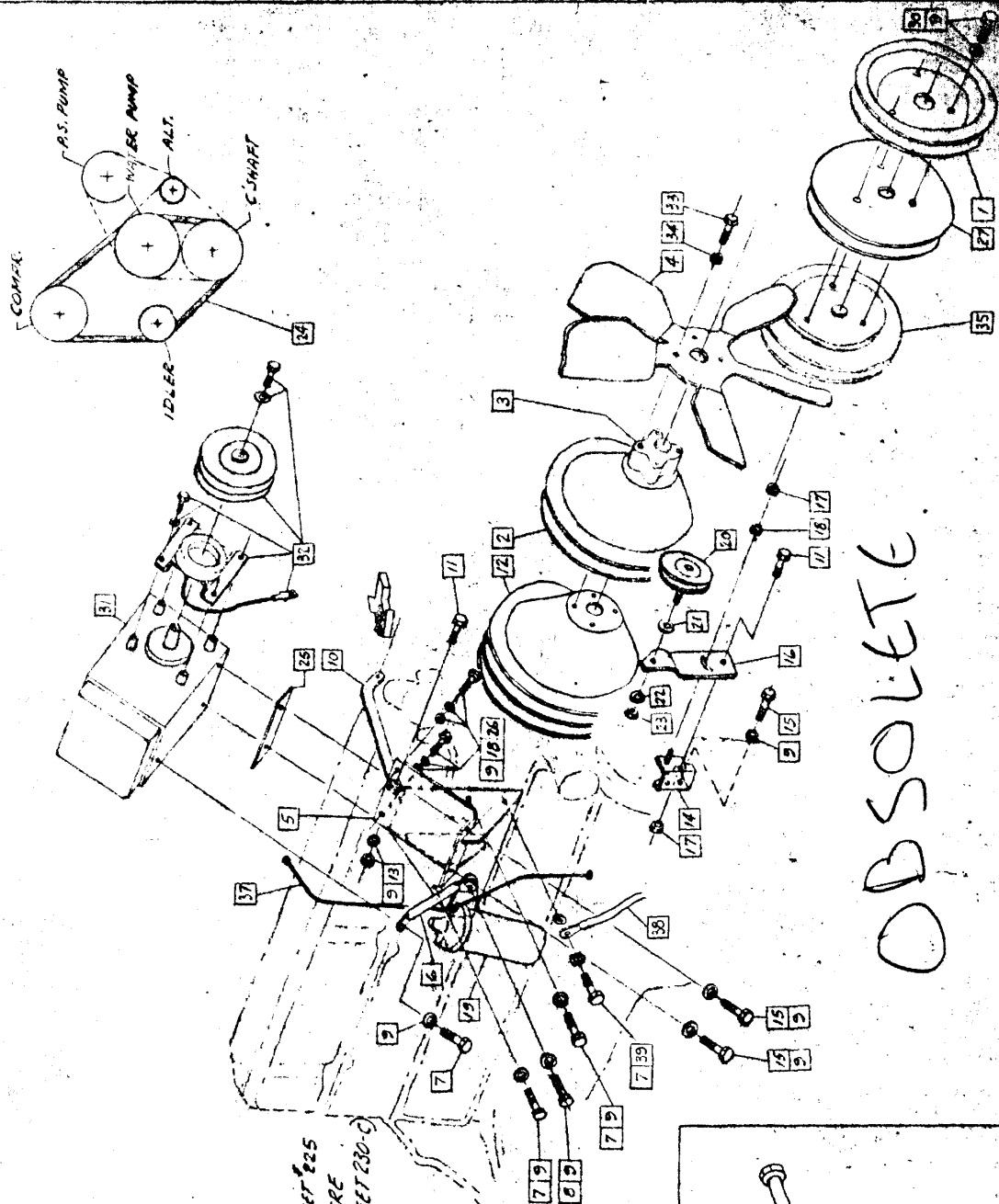


REVISED: 5-12-68 / 6-10-68 / 11-6-68 / 4-13-69 / 3-10-66 / 7-29-66 / 8-12-66
 J.K. J.K. J.K.
 CHECKER MOTORS CORP., KALAMAZOO, MICH.

MODEL	B-11 CHASSIS	DATE	4-15-64	GRAPHIC ILLUSTRATION	SHEET NO.	407
AZ30	B-12				DRAWN BY	KERNEY
APPLIC TO	B-12E			AIR COND. WITH POWER BREATHER - 6 CYL.	CHK.	
					APP'D.	

- 1 702744 - PULLEY - C.S.
- 2 702715 - PULLEY - W.R.
- 3 702326 - SPACER
- 4 701224 - FAN ASSEM.
- 5 701263 - BRKT. ASSEM.
- 6 702320 - BRACE
- 7 454804 - BOLT (4)
- 8 186679 - BOLT
- 9 120382 - L.W. (4)
- 10 702223 - BRACE
- 11 454922 - BOLT (2)
- 12 701733 - PULLEY - W.R. - REF.
- 13 120369 - NUT
- 14 701264 - SUPPT. ASSEM.
- 15 186678 - BOLT (4)
- 16 702372 - BRKT.
- 17 442828 - LOCK NUT (2)
- 18 120394 - WASHER (3)
- 19 701080 - 16X1 COIL - REF.
- 20 97639 - PULLEY ASSEM.
- 21 120388 - WASHER
- 22 120383 - L.W.
- 23 271501 - NUT
- 24 702159 - BELT
- 25 702370 - SPACER
- 26 454906 - BOLT (2)
- 27 702168 - PULLEY - P.S. - REF.
- 28 702326 - SPACER
- 29 181629 - BOLT (3) - REF.
- 30 97668 - COMAR. ASSEM.
- 31 701228 - CLUTCH ASSEM.
- 32 454889 - BOLT (4) - REF.
- 33 120214 - L.W. (8) - REF.
- 34 701228 - CLUTCH ASSEM.
- 35 HARMONIC BALANCER - REF.
- 36
- 37 701267 TUBE ASSEM.
OTHERWISE SAME AS SHEET 225
- 38 BATTERY GR. CABLE HERE
WITH A/C (REF. SEE SHEET 230-C)
- 39 178551 - L.W. (2)



OBSOLETE

(1) ADD. COPY - B. SMITH/END