

CHECKER MOTORS GORE KALAMAZOO MICH.

MODEL: A-11A-11E, A-12, A-12E, A-12W, 6.8, LIMO.

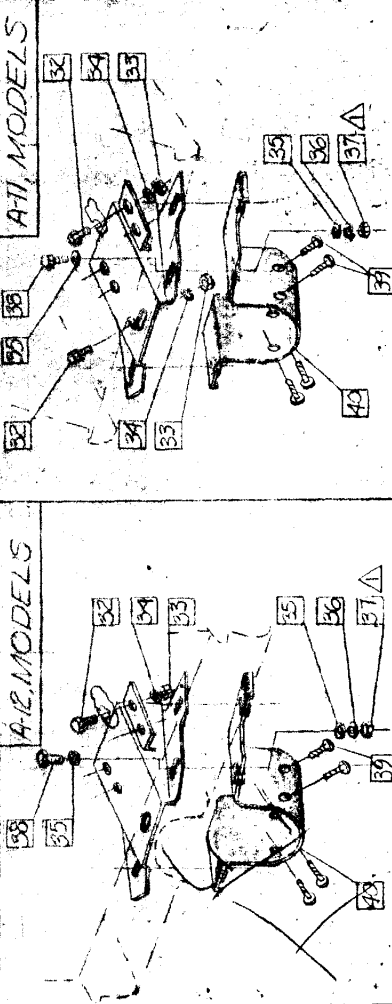
DATE: 1-20-68

GRAPHIC ILLUSTRATION

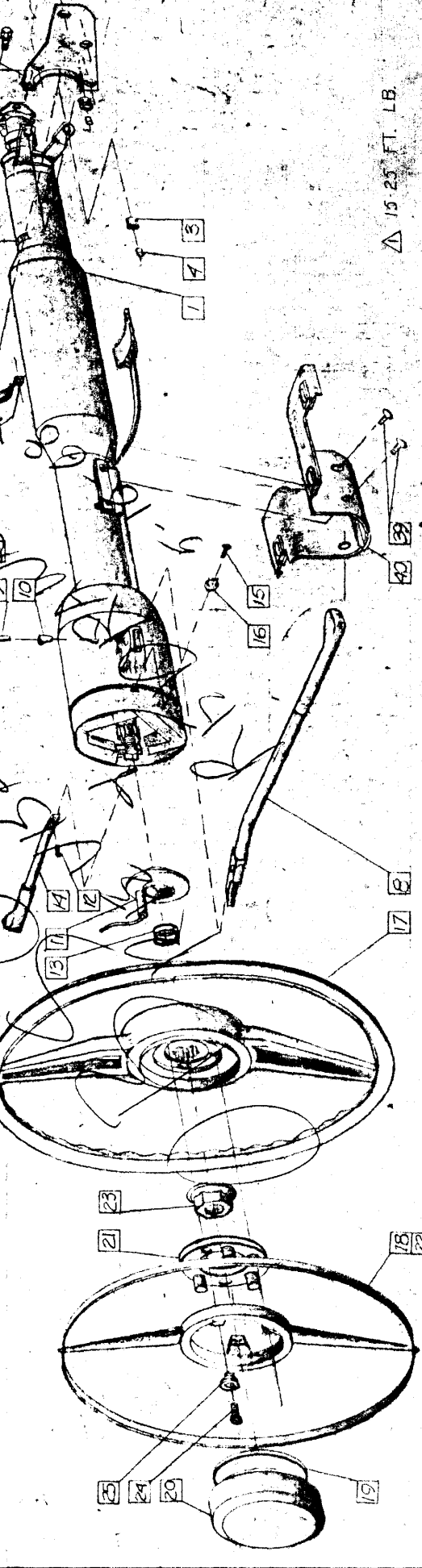
DWN. DKKER
CHK. BE 1-20-68

SHEET NO. 727

STRG. COLUMN & WHEEL ASSEM. - COLUMN SHIFT-STD TRANS APPVD



- 1 703002 - COLUMN ASSEM.
- 2 701960 - SWITCH (OPTIONAL EQUIP)
- 3 704128 - BROMMET (2)
- 4 704129 - BUSHING (2)
- 5 9404729 - SCREW-HEX TAPP (2)
- 6 151015 - WASHER (2)
- 7 156473 - L.W. (1)
- 8 703014 - LEVER - GEAR SELECTOR
- 9 704123 - PIN
- 10 704132 - SPACER
- 11 703022 - CAM
- 12 187871 - SCREW
- 13 96154 - SPRING
- 14 703013 - LEVER
- 15 156656 - SCREW
- 16 704120 - KNCE
- 17 704077 - WHEEL-STRG.
- 18 702697 - RING-HORN (A-12S ONLY)
- 19 20382 - L.W. (5)
- 20 20369 - NUT-HEX (9)
- 21 151669 - BOLT-HEX (3)
- 22 491611 - SCREW (4)
- 23 701952 - BRKT.
- 24 180077 - BOLT-HEX (4)
- 25 120376 - NUT-HEX (4)
- 26 120214 - L.W. (4)
- 27 120394 - WASHER (6)
- 28 20382 - L.W. (5)
- 29 20369 - NUT-HEX (9)
- 30 151669 - BOLT-HEX (3)
- 31 491611 - SCREW (4)
- 32 701952 - BRKT.
- 33 120382 - L.W. (5)
- 34 20369 - NUT-HEX (9)
- 35 151669 - BOLT-HEX (3)
- 36 491611 - SCREW (4)
- 37 701952 - BRKT.



NOTE: INCREASE QUANTITY (FROM (4) REQD. TO (5) REQD.) FOR ITEMS 32, 33, 34 ON A-11, A-11E ONLY

SEE 703027, 64912