

CHEVROLET MOTORS CORP., WARREN, MICH.

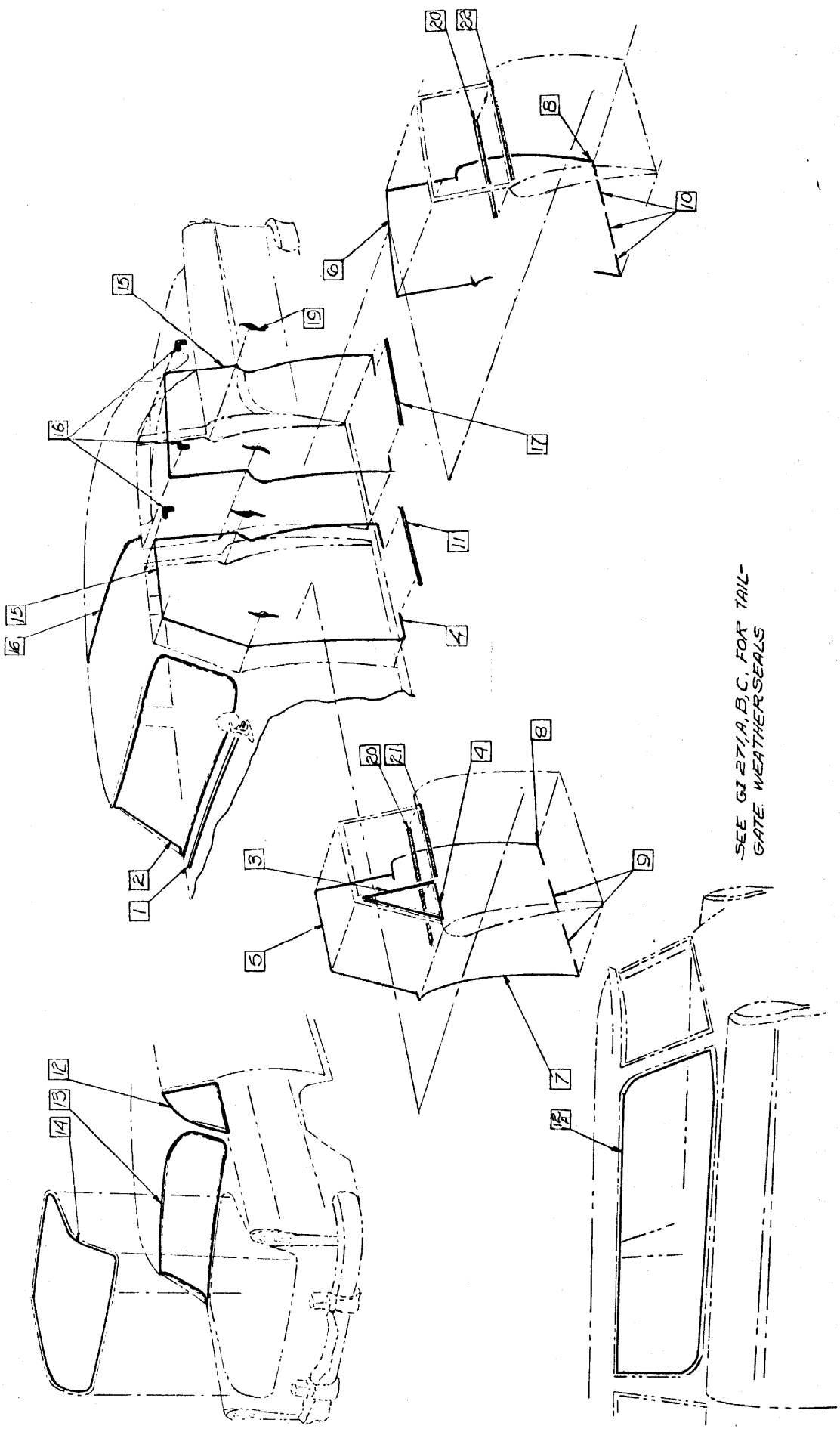
GRAPHIC ILLUSTRATION
WEATHERSEALS

DATE
E-25-66

MODEL: A-1, A-1E, A-1R, AIR, BODY
A-2W, A-1R16, A-1R18, LINC.

SHEET NO. 507

DWG. - CAPMAN/D
CHK. - BALLEWS
APP'D.



SEE G1271A, B, C, FOR TAIL-
GATE WEATHERSEALS

(1) ADD'L COPY TO BODY ENGR.

