

CHEVROLET MOTORS CORP., KALAMAZOO, MICH.

DRW. KERNEY  
 ENR. HBS 1/4/66  
 APPR. [Signature]

SHEET No. 297

DATE  
 1-5-66

Body

MODEL A-11

1-639549 FRAME ASSEM - FRONT SEAT SPECIAL

2-643272 FRAME ASSEM

3-634589 BRKT. L.H.

4-634590 BRKT. R.H.

5-632328 FRAME

6-632329 GLASS

7-632333 GLAZING (2)

8-632334 GLAZING

9-634307 BRKT.-L.H.

10-634308 BRKT.-R.H.

11-159659 SCREW (4)

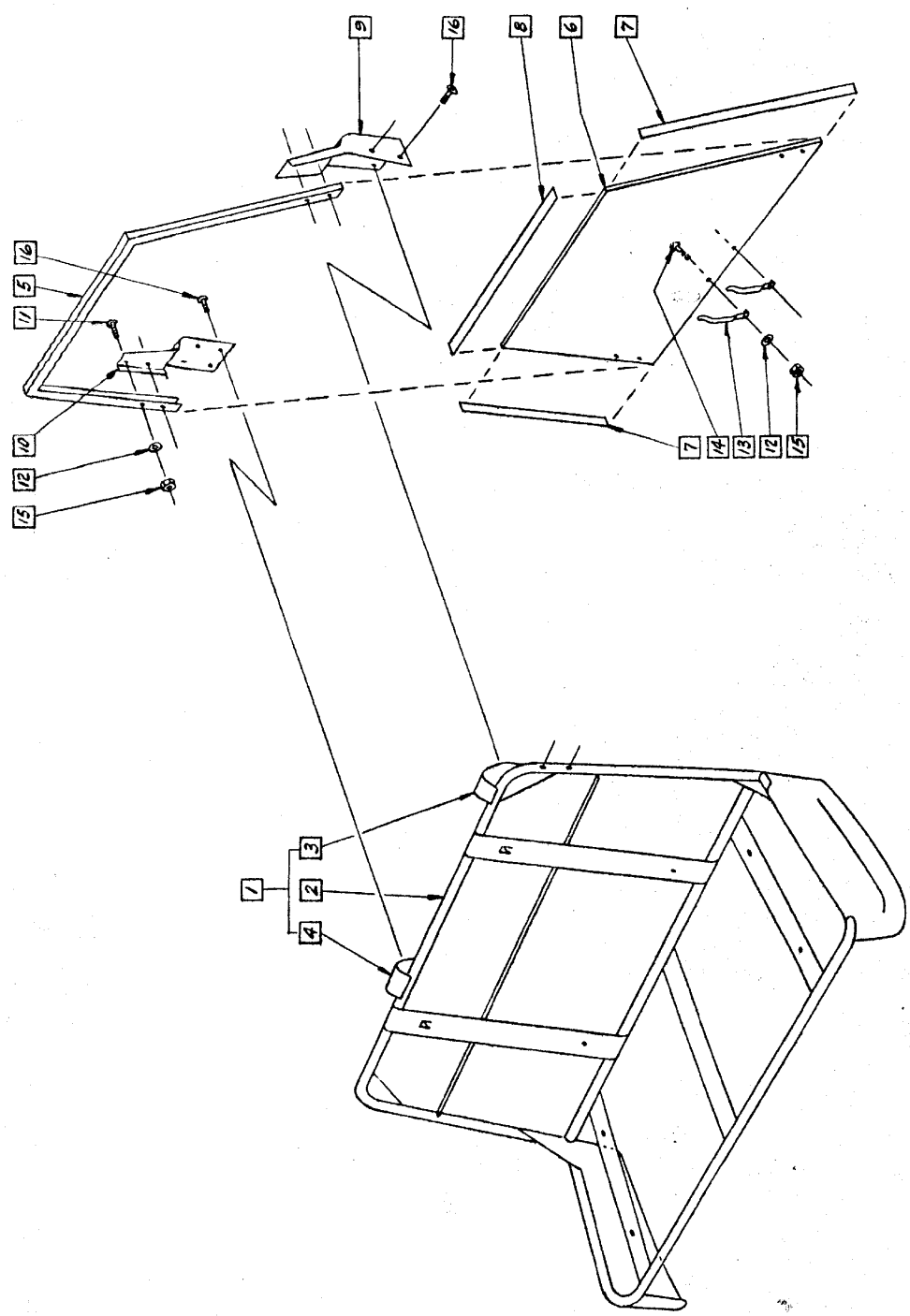
12-138530 L.W. (6)

13-630965 CLIP (2)

14-155044 SCREW (2)

15-120622 NUT (6)

16-163310 SCREW (2)



(1) ADD'L COPY Bony ENG