

CHESTER MOTORS CORP., KALAMAZOO, MICH.

GRAPHIC ILLUSTRATION

DATE  
12/22/66

MODEL  
A12 A12W CHASSIS  
AIR

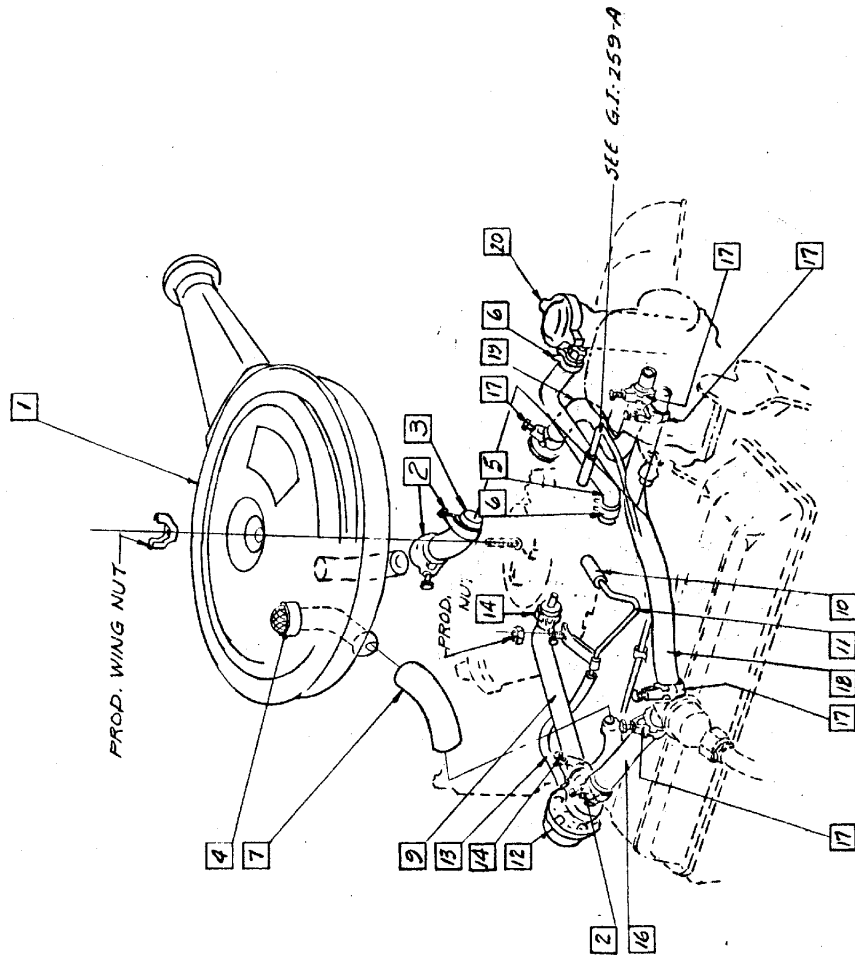
A.I.R. EQUIPMENT - VALVE, AIR CLEANER & HOSES (327 ENG.)

DRAWN BY 11-25-66  
CHK'G BY 12-23-66  
RPM/CL

SHEET NO.

3/3

1	701828	AIR CLEANER
2	9423581	CLAMP (3)
3	702991	HOSE
4	701054	FLAME ARRESTOR
5	702943	HOSE
6	702104	CLAMP (2)
7	702983	HOSE
8		
9	702888	HOSE
10	702935	HOSE
11	701818	PIPE ASSEM.
12	701790	VALVE ASSEM.
13	702928	HOSE
14	9423575	CLAMP (2)
15		
16	702889	HOSE
17	9423577	CLAMP (5)
18	704029	HOSE
19	702891	HOSE
20	701585	CAP ASSEM.
21		



(1) ADD'L COPY TO B. SUTHERLAND

K19 A10