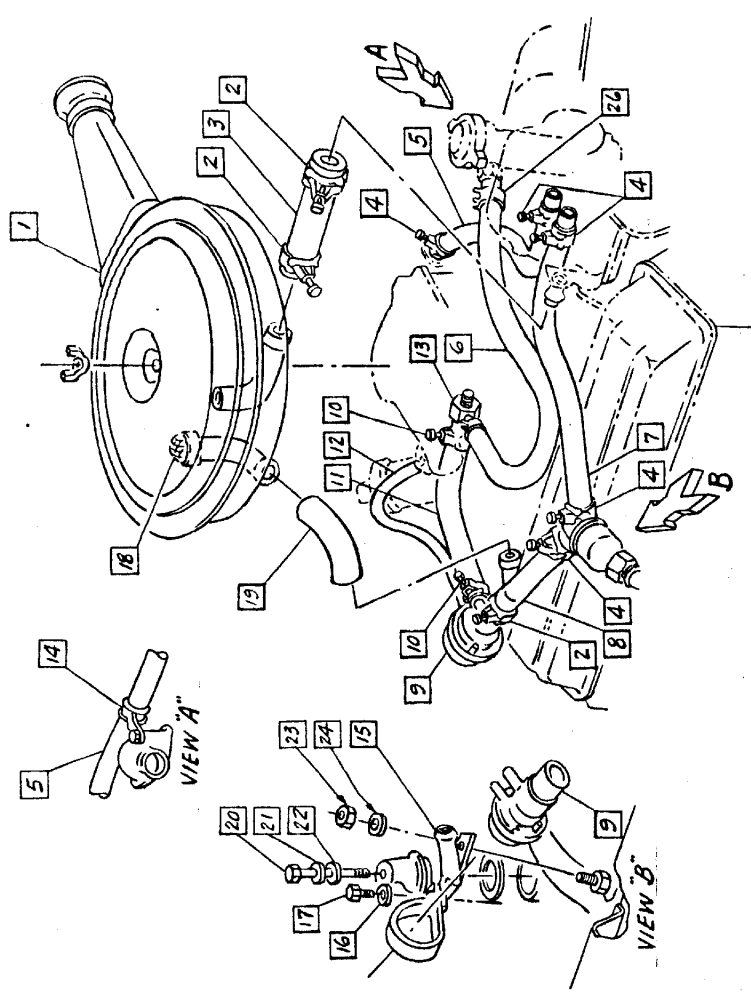


CHECKER MOTORS CORP., KALAMAZOO, MICH.

MODEL	DATE	DRAW. NO.	SHEET NO.
A11 A12 A12N A1E A1E CHASSIS	12/22/66	JK 11-23-66 CK. EG 12-23-66 APPD.	3/2
GRAPHIC ILLUSTRATION			
A.I.R. EQUIPMENT - VALVE, AIR CLEANER & HOSES (283 EN'G.)			

- 1 701820 AIR CLEANER
- 2 9423581 CLAMP (3)
- 3 702892 HOSE
- 4 9423577 CLAMP (5)
- 5 702891 HOSE-OUTLET-L.H.
- 6 702219 HOSE
- 7 704029 HOSE-OUTLET-R.H.
- 8 702889 HOSE
- 9 701687 VALVE ASSEM.
- 10 9423575 CLAMP (2)
- 11 702888 HOSE
- 12 702887 HOSE
- 13 701827 TEE ASSEM.
- 14 CLIP - FURNISHED ON ENGINE
- 15 701826 TUBE & BRKT. ASSEM.
- 16 702955 WASHER
- 17 272488 SCREW
- 18 701054 ARRESTOR-FLAME
- 19 704026 HOSE
- 20 702183 BOLT
- 21 120392 WASHER
- 22 702182 GASKET
- 23 120377 NUT
- 24 120394 WASHER
- 25
- 26 702104 CLAMP



(1) ADD'L. GOT TO B. SUTHERLAND