

CHECKER MOTORS CORP., KALAMAZOO, MICH.

MODEL A11 A12 A12Z A12W BODY

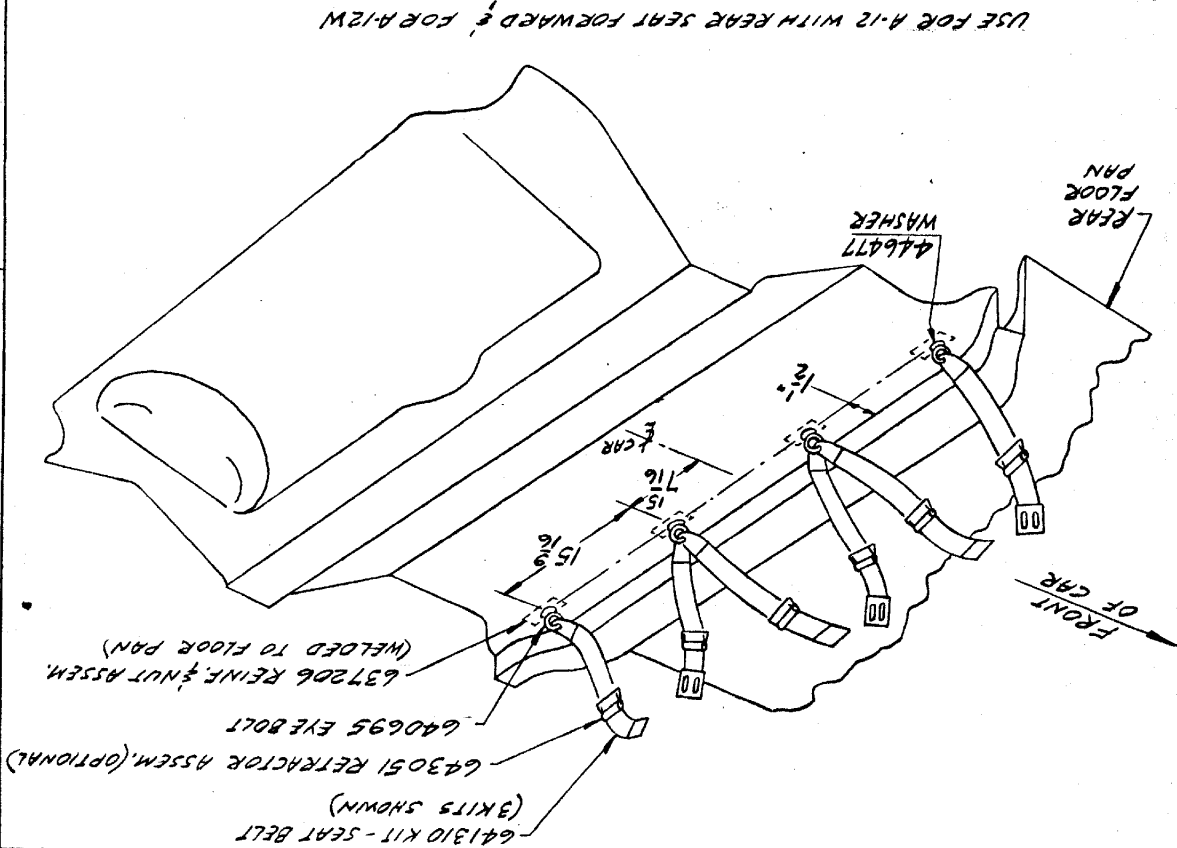
DATE 4-19-65

SEAT BELTS-REAR - STD. INSTALL. & REAR SEAT FWD & WAGON APPROX. FEB. 1/19/65

DWG. J.K. 8-15-65

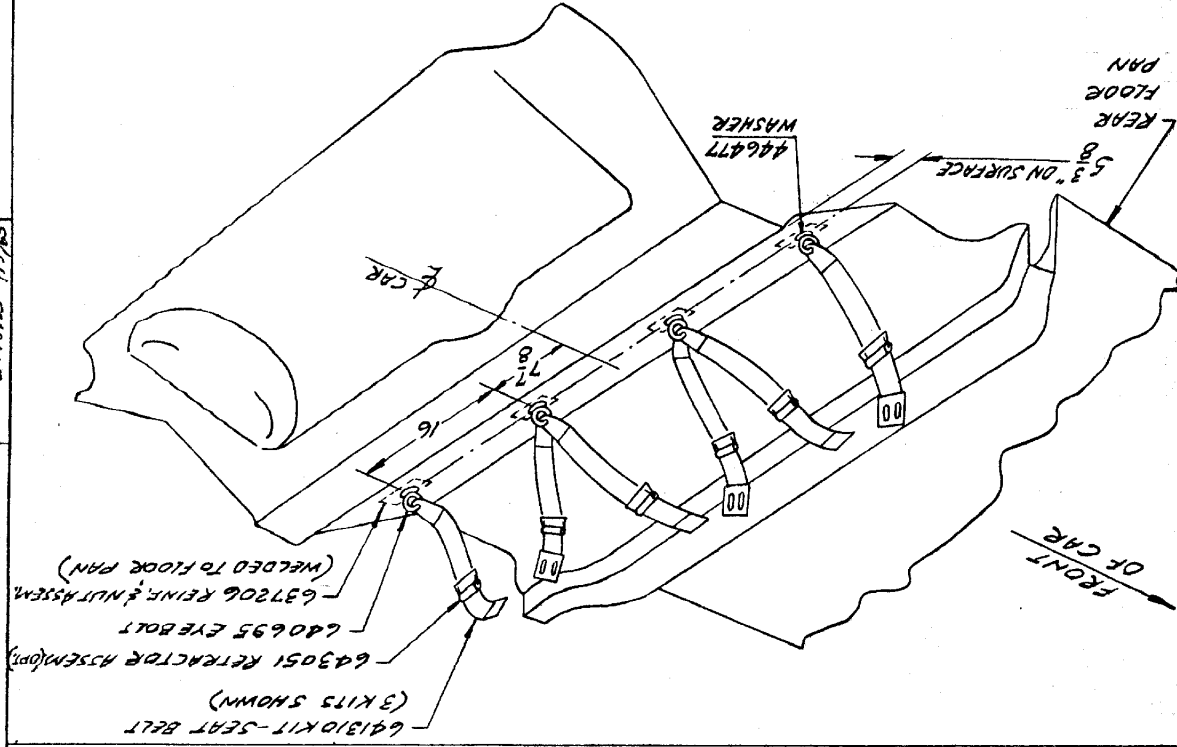
SHEET NO 267

GRAPHIC ILLUSTRATION



USE FOR A-12 WITH REAR SEAT FORWARD & FOR A-12W

FOR CARS W/O SEAT BELTS
PLUG HOLES WITH 638187 PLUG



STANDARD INSTALLATION