

CHECKER MOTORS CORP. KALAMAZOO, MICH.

DRWN. KERNEY
 CHG. HBS 8/12/65
 APP'D. S. B. 1/12/65

SHEET No. 276

GRAPHIC ILLUSTRATION

SEAT BACK - REAR

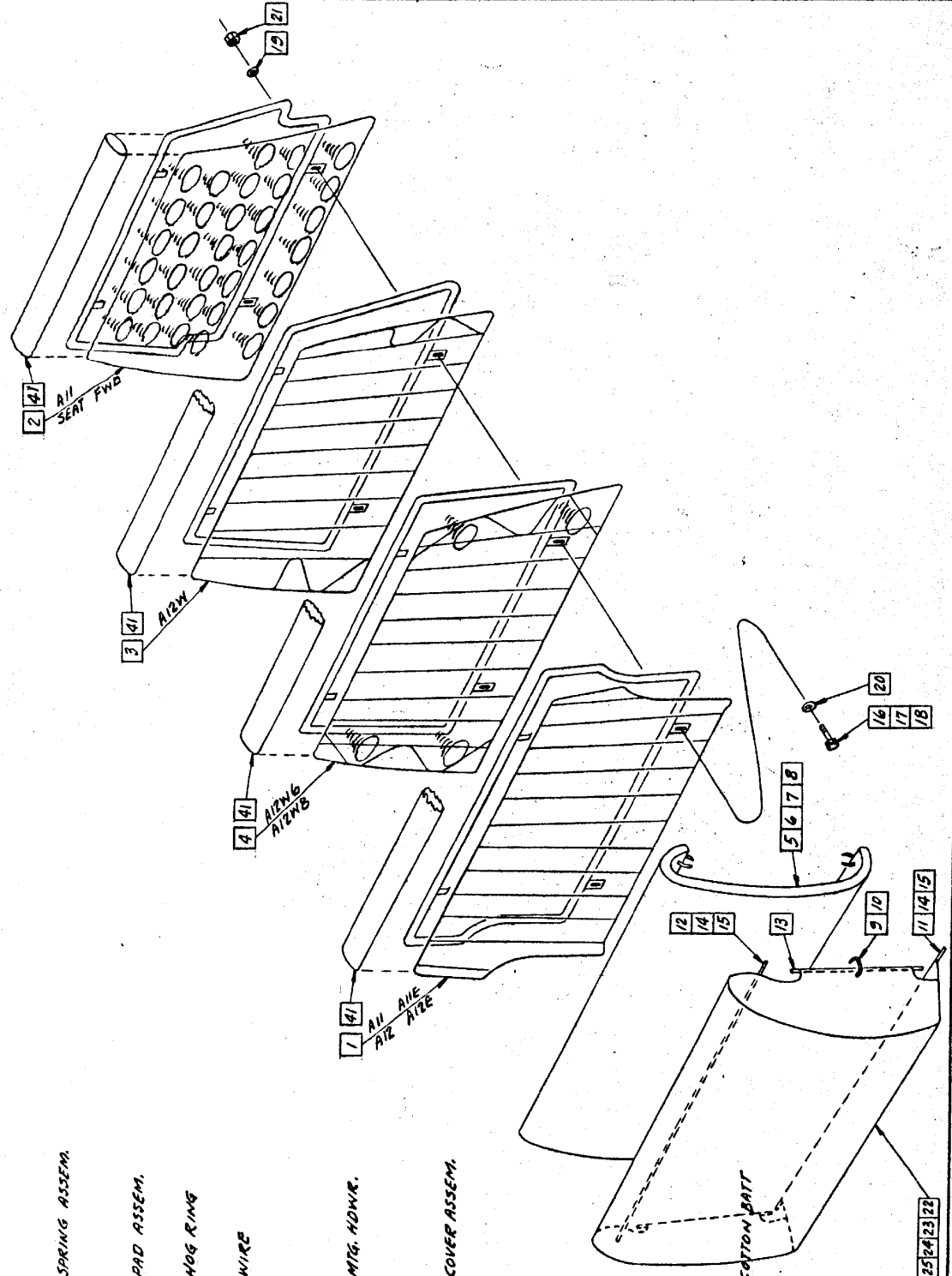
DATE 8-14-65

MODEL A-11 A-12 A-12W6 A-12WB A-12WB8 A-12WB9

BODY A-12 A-12W6 A-12WB A-12WB8 A-12WB9

Part No.	QTY	DESCRIPTION	UNIT	REMARKS
1	1	ALL A1E		
2	1	ALL SEAT FWD		
3	1	A12		
4	1	A12WB		
5	1	A12WB8		
6	1	A12WB9		
7	1	ALL A1E		
8	1	ALL SEAT FWD		
9	1	A12		
10	1	A12WB		
11	1	A12WB8		
12	1	A12WB9		
13	1	ALL A1E		
14	1	ALL SEAT FWD		
15	1	A12		
16	1	A12WB		
17	1	A12WB8		
18	1	A12WB9		
19	1	ALL A1E		
20	1	ALL SEAT FWD		
21	1	A12		
22	1	A12WB		
23	1	A12WB8		
24	1	A12WB9		
25	1	ALL A1E		
26	1	ALL SEAT FWD		
27	1	A12		
28	1	A12WB		
29	1	A12WB8		
30	1	A12WB9		
31	1	ALL A1E		
32	1	ALL SEAT FWD		
33	1	A12		
34	1	A12WB		
35	1	A12WB8		
36	1	A12WB9		
37	1	ALL A1E		
38	1	ALL SEAT FWD		
39	1	A12		
40	1	A12WB		
41	1	A12WB8		
42	1	A12WB9		

SPRING ASSEM.
 PAD ASSEM.
 HOG RING
 WIRE
 MTG. HWHR.
 COVER ASSEM.



40 39 38 37 36 35 34 33 32 31 30 29 28 27 25 24 23 22