

CHICKER MOTORS COEP, KALAMAZOO, MICH.

GRAPHIC ILLUSTRATION

SEAT - AUXILIARY

DATE

10-29-65

MODEL

A11  
A12

MODEL

A11  
A12

DRW

KERNEY

CHK

10/20/65

APP

JAN 11 1966

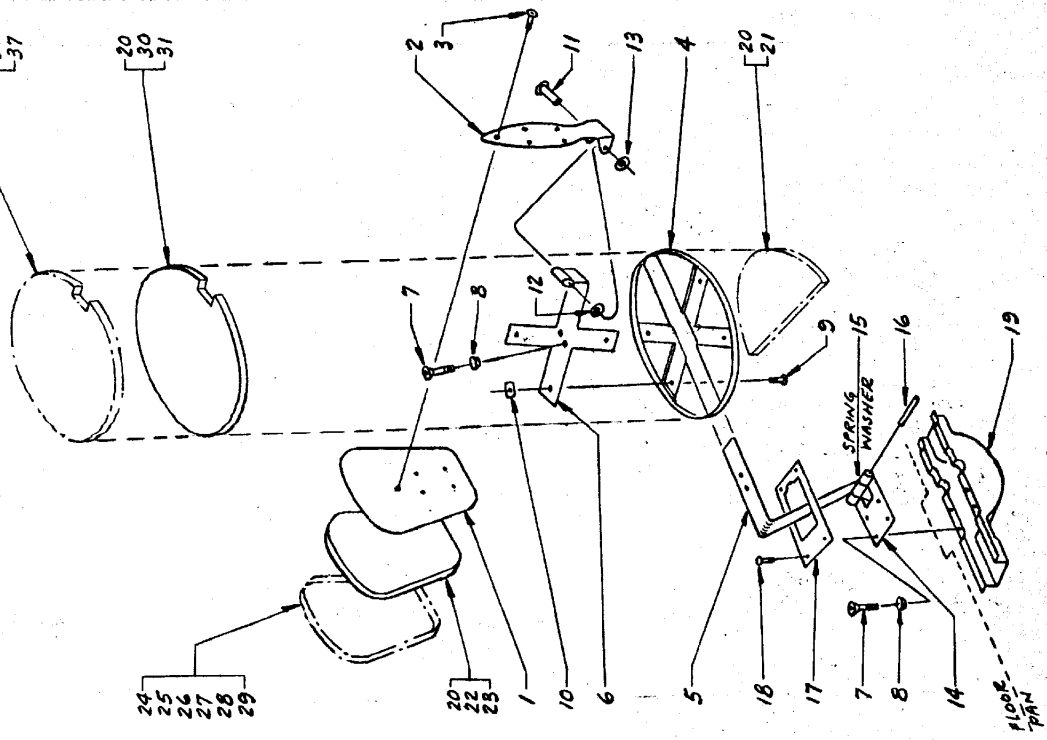
SHEET

NO

280

QTY	DESCRIPTION	ALL A12	ALL A12 COVERED	ALL A12 NOT COVERED	SELECT ONE
1	631711	BACK ASSEM	2	2	2
2	630433	HINGE	2	2	2
3	563477	SCREW	10	10	10
4	630823	PANEL	2	2	2
5	631485	LEG & HINGE ASSEM.	2	2	2
6	631866	SUPPORT ASSEM.	2	2	2
7	440004	SCREW	12	12	12
8	138617	L.W.	12	12	12
9	189129	SCREW	8	8	8
10	226266	NUT	8	8	8
11	630437	PIN	2	2	2
12	626483	SPRING WASHER	2	2	2
13	626305	RING-RETAINING	2	2	2
14	630435	HINGE	2	2	2
15	626484	SPRING WASHER	2	2	2
16	424801	PIN	2	2	2
17	634475	SHIELD	2	2	2
18	626671	SCREW	4	4	4
19	633222	SUPPT FOOT ASSEM.	2	2	2
20	718-139	CEMENT	AS REQUIRED		
21	642586	PAD- BOTTOM	2		
22	634392	PAD	2		
23	634141	PAD	2		
24	ME-760	FACING			
25	641407-A	"			
26	641410-A	"			
27	641523-A	"			
28	641524-A	"			
29	643216-A	"			
30	640035	PAD	2		
31	634760	PAD			
32	639736	COVER ASSEM.			
33	641712	"			
34	641300	"			
35	641331	"			
36	641399	"			
37	643218	"			

OPTIONAL



(1) ADD'L. COPY BODY ENGR.