

CHECKER MOTORS CORP., KALAMAZOO, MICH.

MODEL	A-11	DATE	8-14-65	SHEET NO.	275
	A-11E	BODY		DRW. XERNEY	
				CHK. T. H. S. 8/14/65	
				APPROV. S. B. W. 11/17/65	
				GRAPHIC ILLUSTRATION	
				SEAT ASSEM - FRONT - TRIMMED (CAB)	
				MANUAL & POWER	

1 643272 FRAME ASSEM. - FRT. SEAT - WELDED (MANUAL)

2 633456 SPRING ASSEM. - FRT. SEAT - BACK

3 174916 L. W. (2)

4 120706 BOLT (2)

5 633420 PAD ASSEM.

6 634628 COTTON BATT.

7 626072 HOG RING (28)

8 634404 WIRE (2" LONG) (2)

9 634403 WIRE (5 1/2" LONG)

10 626124 HOG RING (60)

11 634406 WIRE (52" LONG)

12 120214 L. W. (4)

13 120393 WASHER (4)

14 120368 NUT (4)

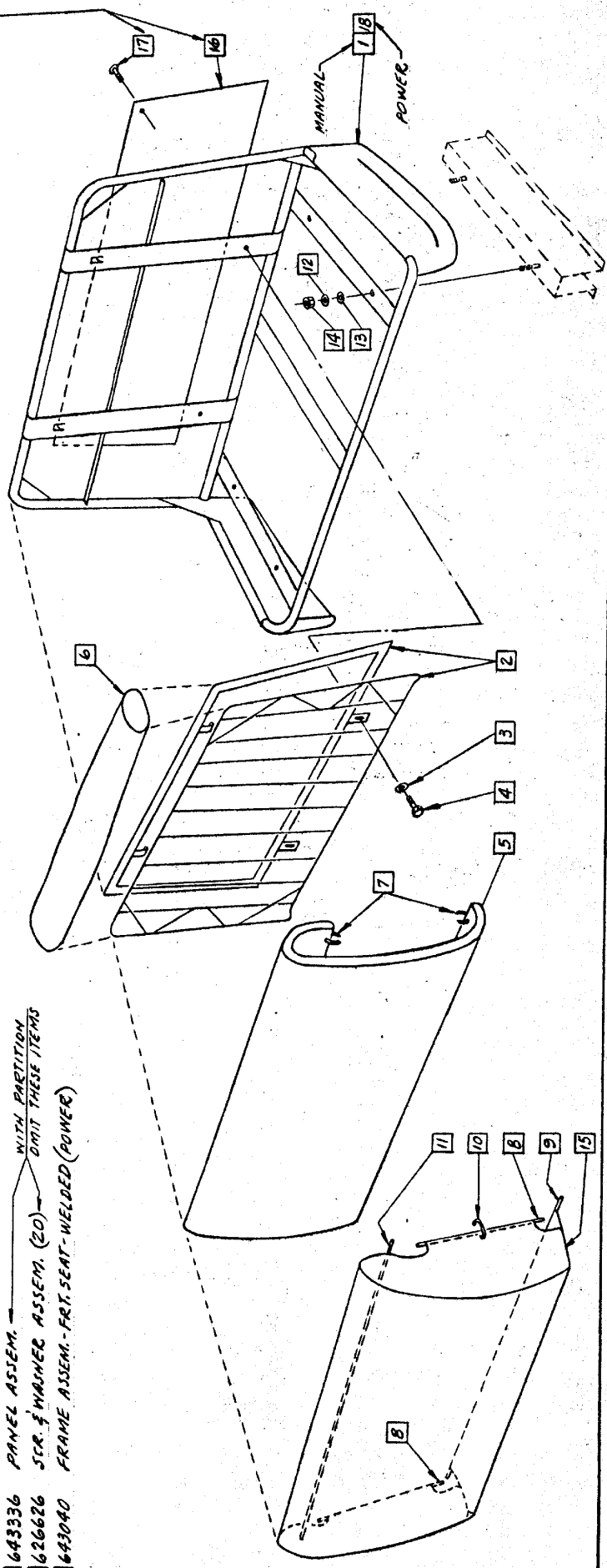
15 639409 COVER ASSEM.

16 643336 PANEL ASSEM.

17 626626 SCR. & WASHER ASSEM. (20)

18 643040 FRAME ASSEM. - FRT. SEAT - WELDED (POWER)

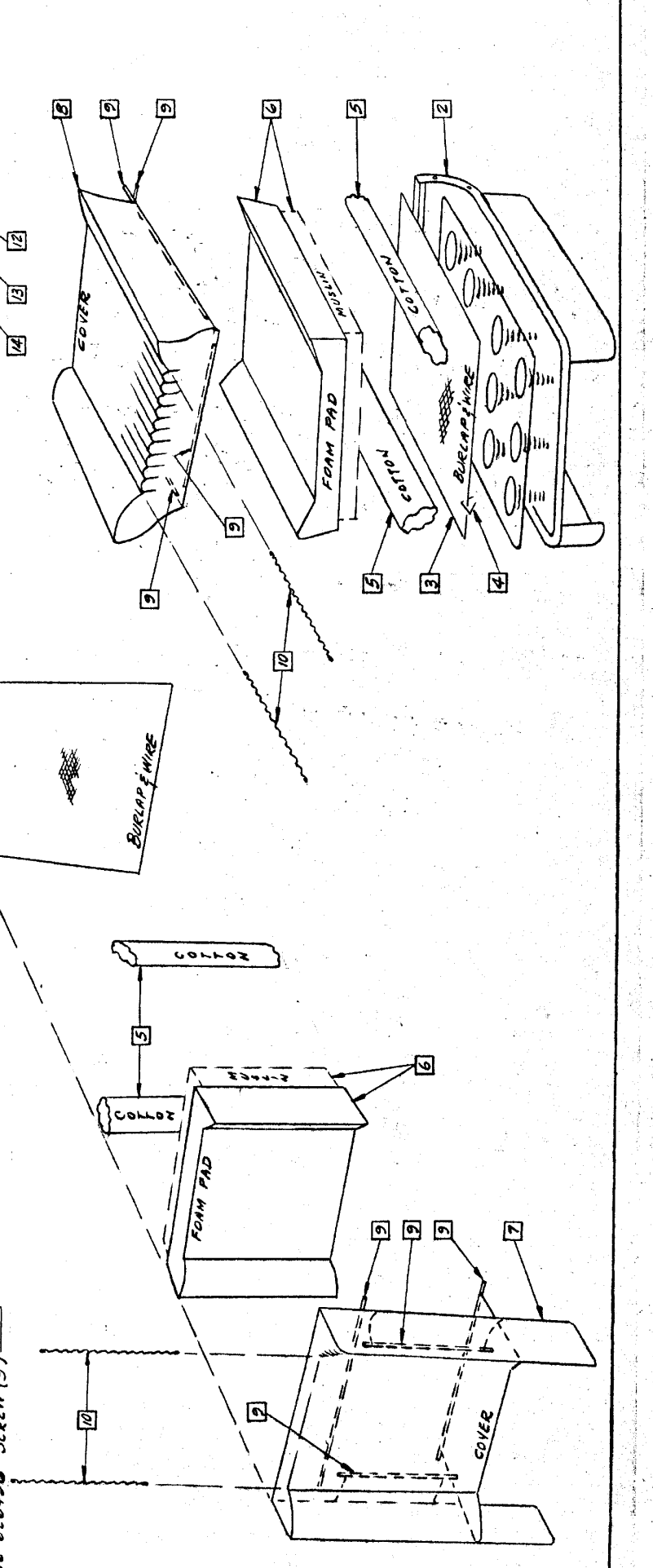
NOTE:
WITH PARTITION
OMIT THESE ITEMS



WITH PARTITION
OMIT THESE ITEMS

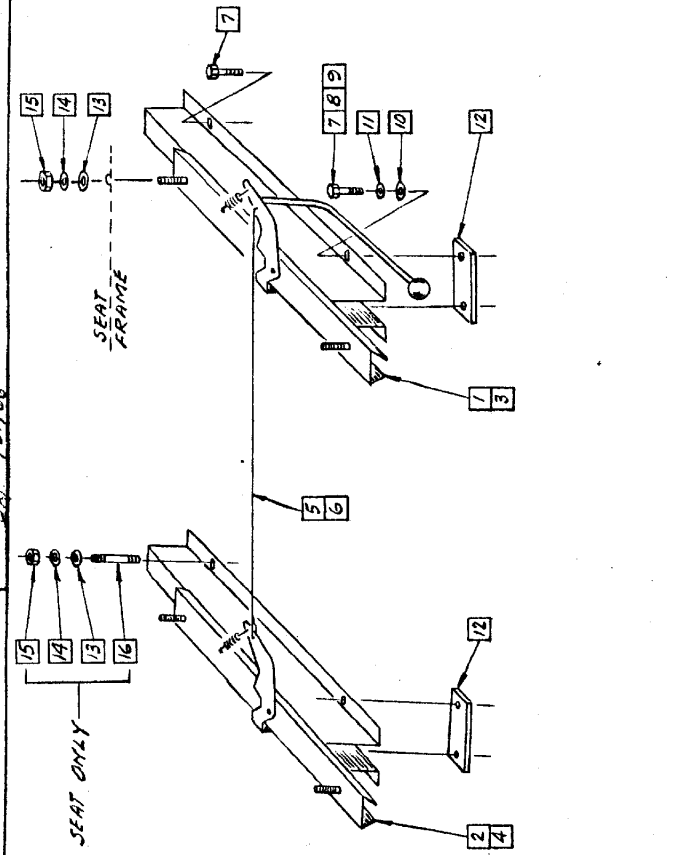
MODEL A-11 A-12 A-12E A-12M BODY
 DATE 2-19-66
 CHECKER MOTORS CORP., Kalamazoo, Mich.
 GRAPHIC ILLUSTRATION
 SEAT-BUCKET - FRONT
 SHEET NO 275-C
 DWN. KERNEY
 CHK. HBS
 APPR. JH

- 1- 643366 SPRING ASSEM.
- 2- 643365 SPRING ASSEM.
- 3- 643850 INSULATOR ASSEM. (2)
- 4- 626072 HDG RINGS (142)
- 5- 634628 COTTON BATT (2) CUT INTO 4 PCS. AT ASSEM.
- 6- 640030 PAD (2)
- 7- 643246 COVER ASSEM.
- 8- 643244 COVER ASSEM.
- 9- 630592 WIRE (8)
- 10- 642591 WIRE (4)
- 11- 156351 SCREW (4)
- 12- 120392 WASHER (4)
- 13- 120380 L.W. (4)
- 14- 120375 NUT (4)
- 15- 643864 PANEL ASSEM. - OMIT WITH PARTITION
- 16- 626456 SCREW (5)



(1) ADD'L. COPY BODY ENGR.

CHECKER MOTORS CORP., KALAMAZOO, MICH.
 GRAPHIC ILLUSTRATION
 MODEL - (SEE BELOW) Body
 DATE 4-1-66
 (FRONT) SEAT SUPPORT & ADJUSTER - MANUAL (STANDARD & BUCKET)
 DWAJ KERNEY
 CHG. DES'G 3/18/66
 APP'D. J.A. 3/15/66
 SHEET NO. 275-D



	STD. SEAT EXCEPT A12E LIND	STD. SEAT A12E EXCEPT A12E LIND	LIND ONLY	BUCKET SEAT ALL MODELS EXCEPT A12E LIND
1	1	1	1	1
2	1	1	1	1
3				1
4				1
5	1	1	1	1
6				1
7	4	4	4	
8	4	4	4	
9		4	4	
10		4	4	
11		4	4	
12		2	2	
13	4	4	4	12
14	4	4	4	12
15	4	4	4	12
16				8

1	643275	SUPPT. & ADJ. ASSEM.-L.H.
2	643276	SUPPT. & ADJ. ASSEM.-R.H.
3	643223	SUPPT. & ADJ. ASSEM.-L.H.
4	643224	SUPPT. & ADJ. ASSEM.-R.H.
5	640216	WIRE
6	642732	WIRE
7	626480	SCR. & L.W. ASSEM.
8	626479	SCR. & L.W. ASSEM.
9	180077	BOLT
10	120393	WASHER
11	120214	L.W.
12	642060	SPACER
13	120393	WASHER
14	120214	L.W.
15	120368	NUT-HEX.
16	148062	STUD

(1) ADD'L. COPY BODY ENG.