

CHECKER MOTORS CORP., Kalamazoo, MICH.

GRAPHIC ILLUSTRATION

WINDOW - POWER DOOR

DATE

11-16-65

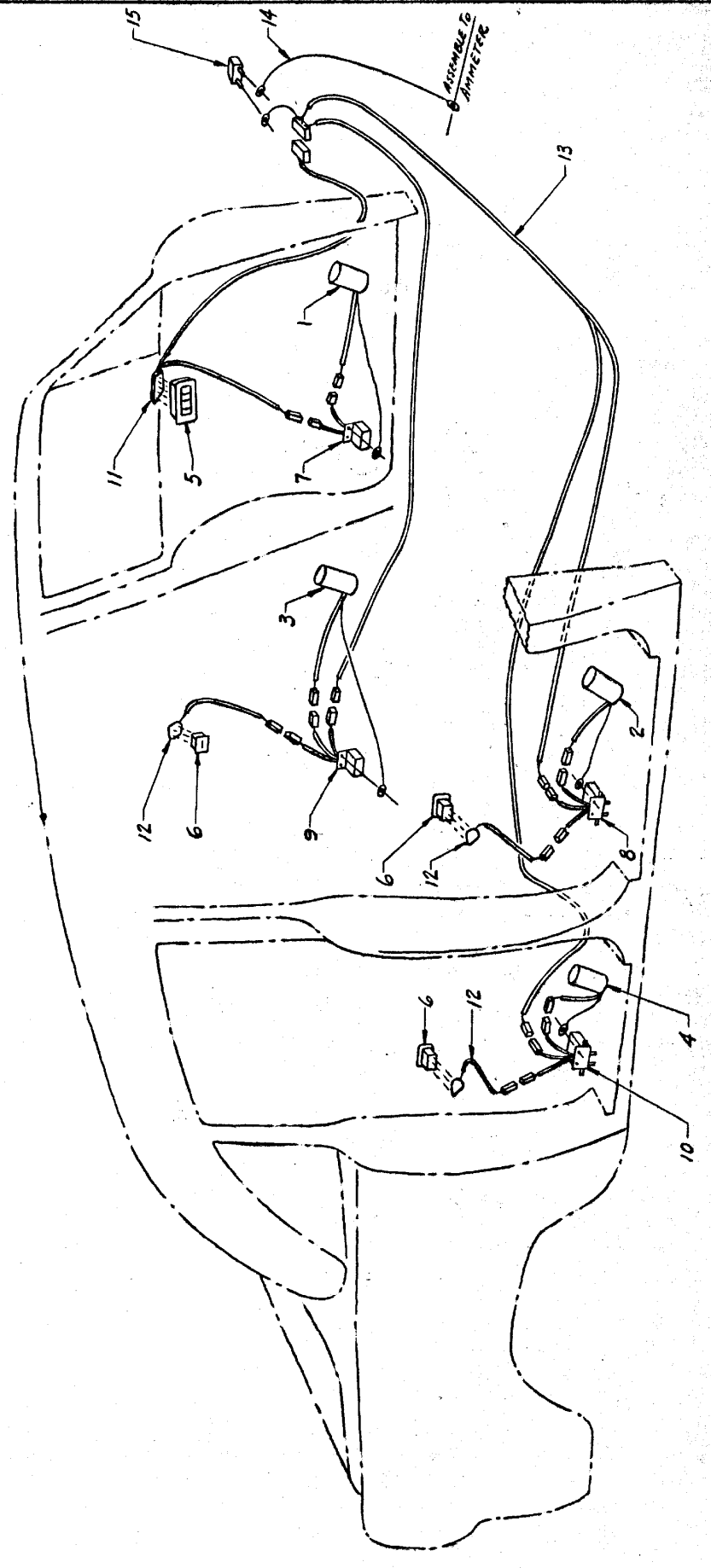
MODEL A-11 A-12 A-12W

Body

DUNN - KERNEY
 CH. - LANK
 APPRO - S. H. H. 11/16/65

SHEET No. 285

1	639099	REGULATOR ASSEM.	FRT. L.H.	1
2	639100	"	FRT. R.H.	1
3	639101	"	REAR L.H.	1
4	639102	"	REAR R.H.	1
5	639097	SWITCH ASSEM. - FOUR BUTTON		1
6	639098	SWITCH ASSEM. - SINGLE BUTTON		3
7	639194	RELAY CABLE ASSEM.	FRT. L.H.	1
8	639196	"	FRT. R.H.	1
9	639195	"	REAR L.H.	1
10	639197	"	REAR R.H.	1
11	639103	HARNES ASSEM.		1
12	639171	CABLE ASSEM.		3
13	639172	HARNES ASSEM.		1
14	639108	WIRE ASSEM.		1
15	93227	CIRCUIT BREAKER		1

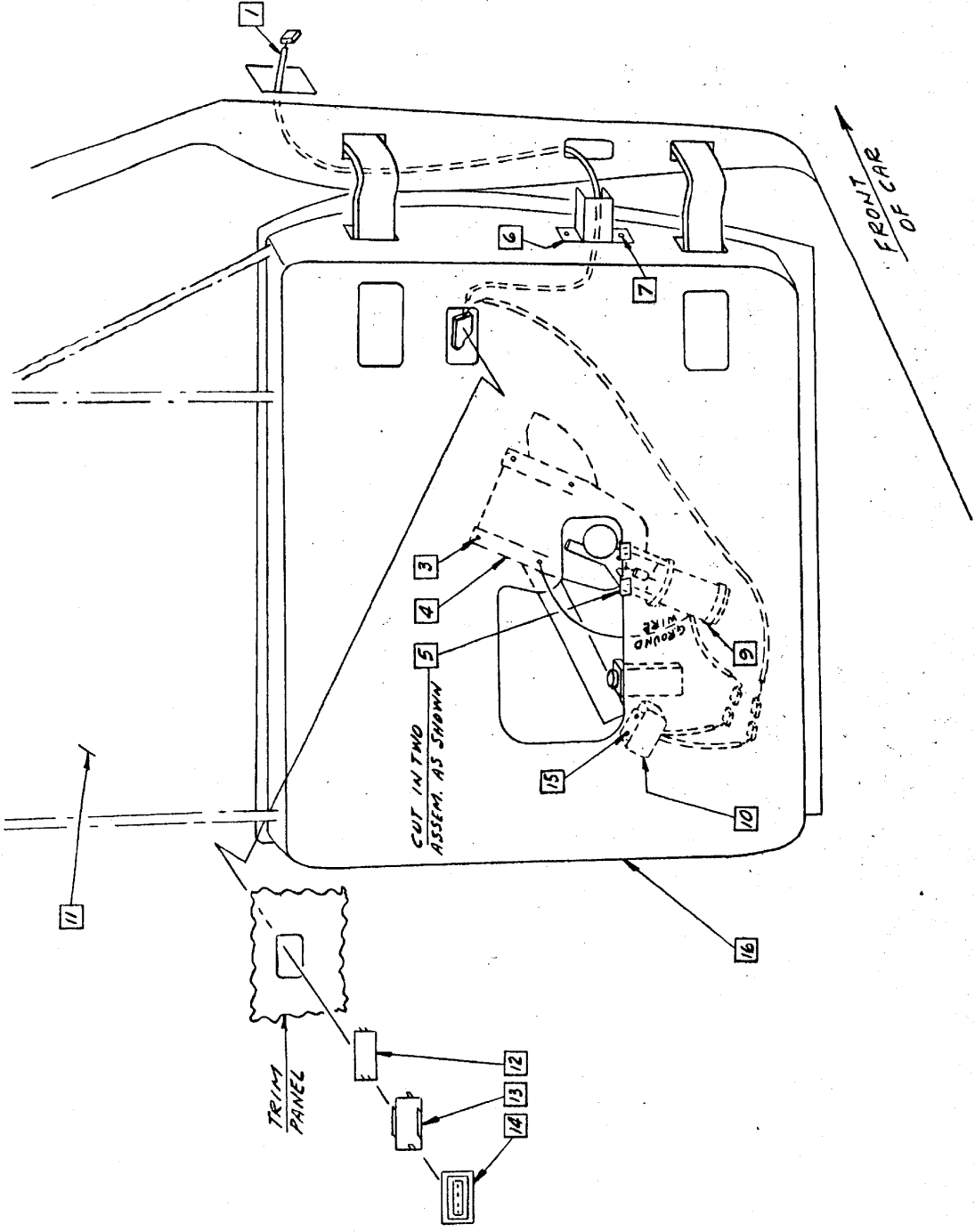


(1) ADD'L. COPY BODY ENG.

MODEL A12
 BODY
 DATE 5-25-66
 CHECKER MOTORS CORP. KALAMAZOO, MICH.
 GRAPHIC ILLUSTRATION
 WINDOW- POWER DOOR -(L.H. FRONT)
 DWG. - KEENEY
 CHK. - RE 5-25-66
 APPR. - JH 5/25/66
 SHEET 16. 285-A

REF. - SEE GI 285B, C, 286, 287 & 300
 FOR ADDITIONAL INFORMATION

- 1 639103 HARNESS ASSEM.
- 2
- 3 187987 SCREW (4)
- 4 639099 REGULATOR ASSEM
- 5 640355 BUMPER
- 6 640052 CONDUIT
- 7 170988 SCREW(2)
- 8
- 9 HOSE-CEMENT TO REG. MOTOR
- 10 639194 RELAY & CABLE ASSEM.
- 11 639539 GLASS & CHANNEL ASSEM.
- 12 640128 REINF.
- 13 640126 RETAINER
- 14 639097 SWITCH ASSEM.
- 15 161869 SCREW(2)
- 16 640403 INNER PANEL



CHECKER MOTORS CORP., KALAMAZOO, MICH.
 GRAPHIC ILLUSTRATION
 WINDOW - POWER DOOR - (R. H. FRONT)

285-B

SHEET 16

DW: KERNEY
 CHK. RE: 5-25-66
 APPR. S: HODGINS 5/25/66

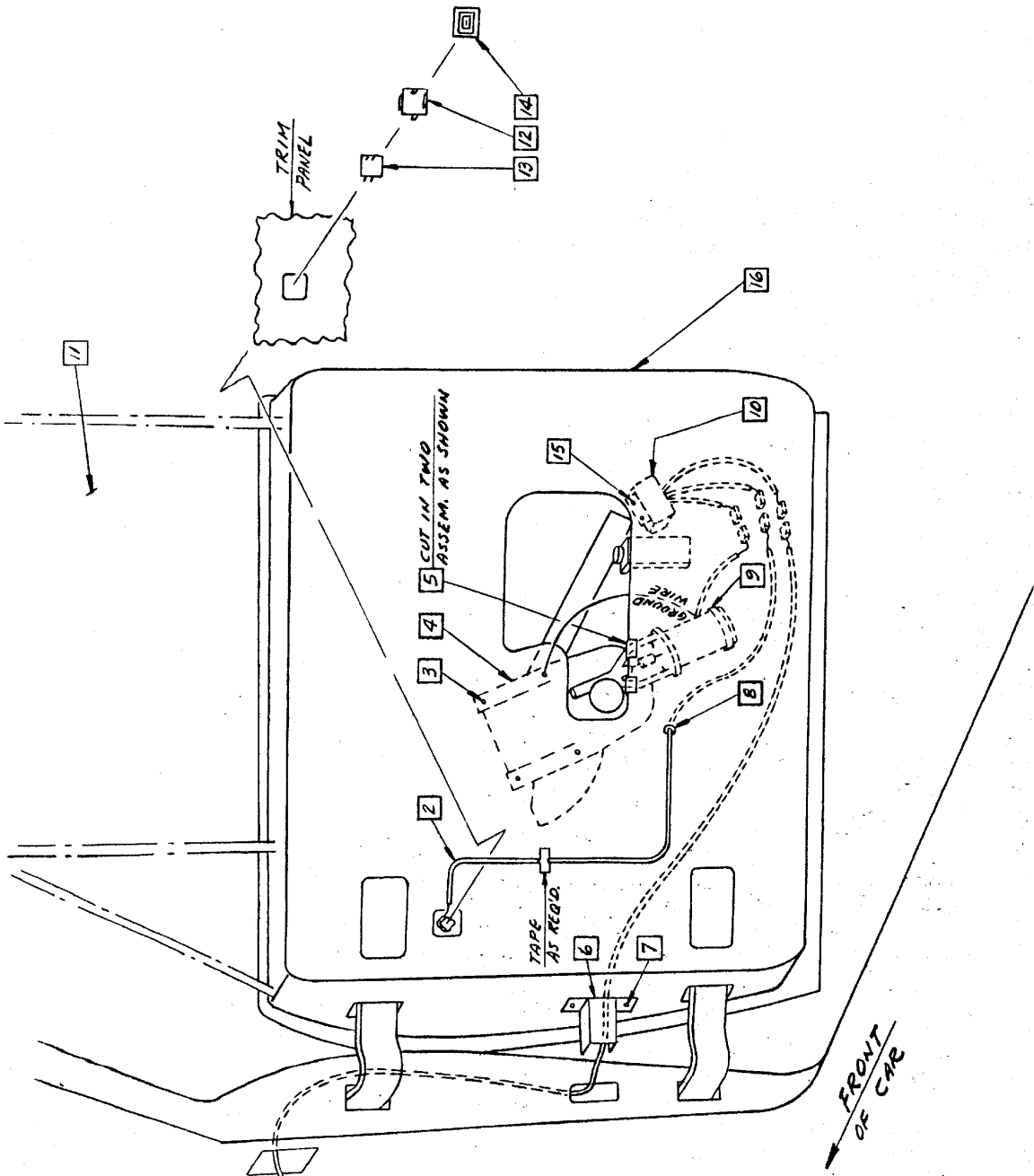
DATE
 5-25-66

Body

MODEL
 A11
 A12
 A12M

REF: SEE GI. 285, A, C, 286, 287 & 300
 FOR ADDITIONAL INFORMATION

- 1 639172 HARNESS ASSEM
- 2 639171 CABLE ASSEM
- 3 187987 SCREW (4)
- 4 639100 REGULATOR ASSEM.
- 5 640355 BUMPER
- 6 640052 CONDUIT
- 7 170988 SCREW (2)
- 8 627433 GROMMET
- 9 HOSE-CEMENT TO REG. MOTOR
- 10 639196 RELAY & CABLE ASSEM.
- 11 639540 GLASS & CHANNEL ASSEM.
- 12 640125 RETAINER
- 13 640127 REM.F.
- 14 639098 SWITCH ASSEM.
- 15 161869 SCREW (2)
- 16 640404 INNER PANEL



CHEVROLET MOTORS CORP., KALAMAZOO, MICH.
 GRAPHIC ILLUSTRATION
 WINDOW-POWER DOOR (L.H. & R.H. REAR)

SKETCH No. 285-C

DW. KERNEY
 CHK. R.E. 5-25-66
 APPROV. J. H. H. 5/25/66

DATE 5-25-66

MODEL A11 A12 A12W BODY

REF. - SEE GI 285, A, B, 286, 287 & 299 FOR ADDITIONAL INFORMATION

- 1 639098 SWITCH ASSEM (2)
- 2 640125 RETAINER (2)
- 3 640127 REINF. (2)
- 4 640405 INNER PANEL L.H.
- 5 640406 INNER PANEL R.H.
- 6 639101 REGULATOR ASSEM, L.H.
- 7 639102 REGULATOR ASSEM, R.H.
- 8 187987 SCREW (8)
- 9 639171 CABLE ASSEM (2)
- 10 161869 SCREW (4)
- 11 639195 RELAY & CABLE ASSEM, L.H.
- 12 639197 RELAY & CABLE ASSEM, R.H.
- 13 639172 HARNESS ASSEM.
- 14 640355 BUMPER (2)
- 15 HOSE - CEMENT TO REG. MOTOR
- 16 640053 CONDUIT L.H.
- 17 640054 CONDUIT R.H.
- 18 164349 SCREW (4)

