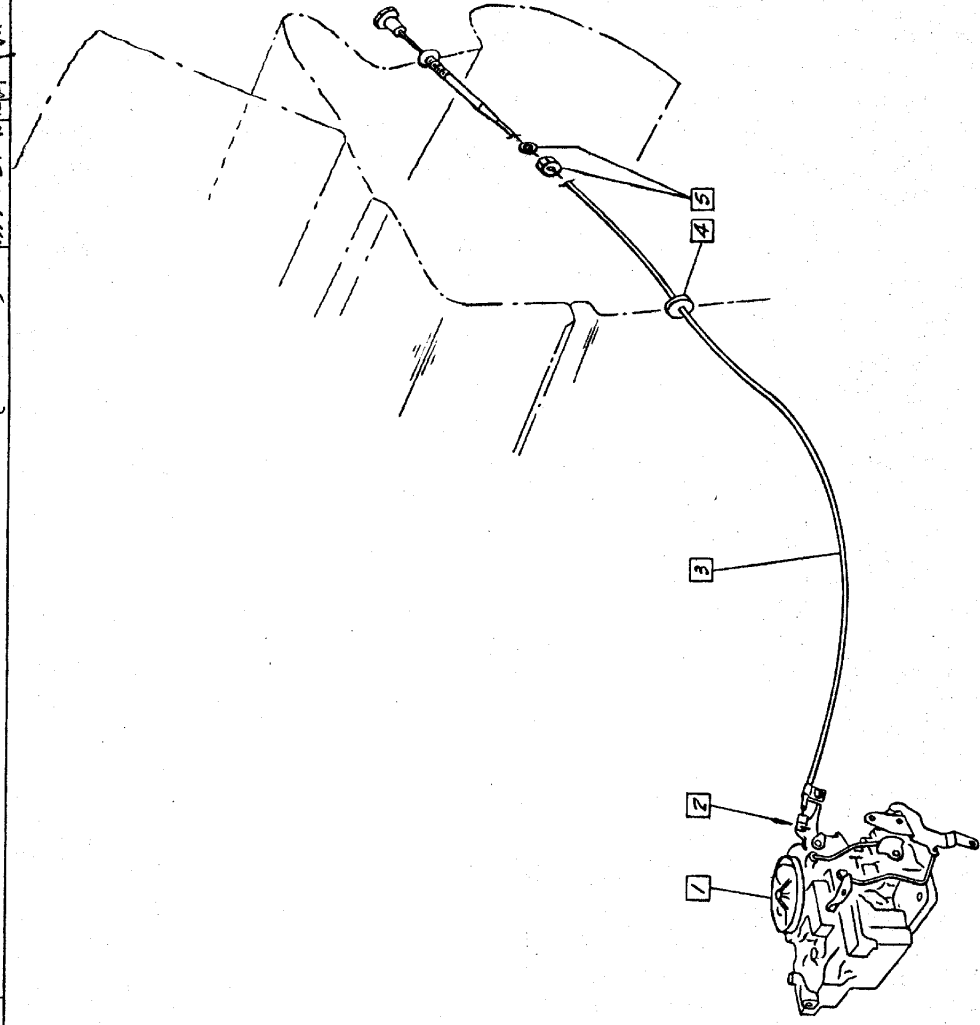


CHECKER MOTORS CORP., KALAMAZOO MICH.

812W6	DATE	CHECKED BY	SHEET NO.
MODEL 812WB	2-22-65	BY <i>WJA</i>	259
812WB	CHASSIS	APPROV'D WITH INK	
GRAPHIC ILLUSTRATION			
CABLE CONTROL - 1/8 327 CU. IN. (GOVERNED)			

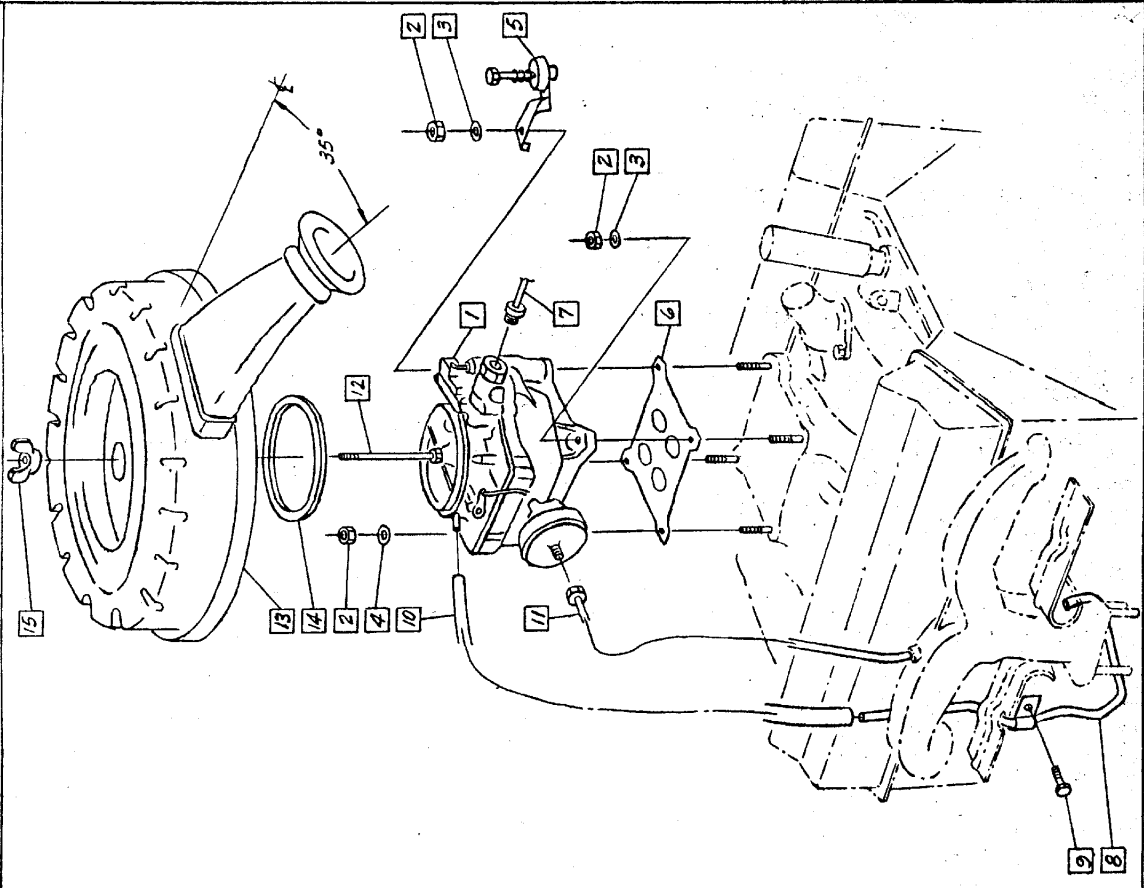
- 1 701374 - CARB. ASSEM.
- 2 BEND WIRE AFTER ASSEM.
- 3 639940 - CABLE ASSEM.
- 4 626439 - GROMMET
- 5 NUT & L.W. FURNISH IN CABLE ASSEM.



219  
27

CHECKER MOTORS CORP., KALAMAZOO, MICH.

MODEL	B-12, B-12W, B-12E	DATE	5-11-65	GRAPHIC ILLUSTRATION	SHEET NO.	259A
				CHOKE PIPES & CARBURETOR (HI-PREF. ENGINE)		



- 1 701422 - CARBURETOR
- 2 120368 - NUT (4)
- 3 702357 - WASHER (2) (FRONT STUDS)
- 4 120214 - L.W. (2) (REAR STUDS)
- 5 701486 - VALVE ASSEM.
- 6 702573 - GASKET
- 7 701456 - TUBE ASSEM. - (PUMP TO CARB.)
- 8 701434 - PIPE ASSEM.
- 9 REF. - SPARK PLUG SHIELD BOLT - SEE GI 230-DD
- 10 702579 - TUBE
- 11 701433 - PIPE ASSEM.
- 12 701424 - STUD ASSEM.
- 13 701423 - AIR CLEANER
- 14 702574 - GASKET
- 15 126177 - WING NUT

NOTE: -  
HOSES FROM OIL FILL TUBE TO CARB.  
& FROM AIR CLEANER TO MANIFOLD  
ARE SAME AS SHOWN ON GI-217

REPAIRMAN 9-26-66  
DIEMO 156

CHECKER MOTORS CORP. HALLAMAZOO, MICH.  
 MODEL B-12W CHASSIS DATE 11-8-66 SHEET NO. 259-A  
 CHOKE & CARBURETOR (HI-PERF. ENGINE)  
 B-12  
 B-12E

1	701872	AIR CLEANER
2	702864	STUD
3	188154	BOLT (2)
4	702865	GASKET - AIR CL.
5	701740	CARB. ASSEM.
6	702941	HOSE
7	120393	WASHER (4)
8	702986	TUBING
9	702866	GASKET-CARB.
10	702867	BAFFLE
11	120368	NUT (2)
12	120214	L.W. (4)
13		
14		
15	126177	WING NUT
16	701778	THERMO. COVER & EDD ASSEM.
17		CLIP
18		SCREEN
19	701763	TUBE ASSEM.

